

Model Number

CJ10-30GK-WS

Features

- 10 mm non-flush
- The switching distance can be set over a wide range with the potentiometer

Accessories

BF 30
Mounting flange, 30 mm

Technical Data

General specifications

Switching element function		AC	NO
Rated operating distance	s_n	10 mm	
Installation		non-flush	
Output polarity		AC	
Assured operating distance	s_a	0 ... 7.2 mm	

Nominal ratings

Installation conditions			
A		18 mm	
B		10 mm	
C		20 mm	
F		60 mm	
Operating voltage	U_B	20 ... 253 V AC ¹⁾	
Switching frequency	f	0 ... 10 Hz	
Hysteresis	H	2 ... 10 typ. 5 %	
Reverse polarity protection		reverse polarity tolerant	
Momentary current (20 ms, 0.1 Hz)		0 ... 1200 mA	
Rated insulation voltage	U_{BIS}	1500 V	
Operating current	I_L	5 ... 200 mA	
Lowest operating current	I_m	5 mA	
Off-state current	I_r	0.7 ... 1.5 mA typ.	
Time delay before availability	t_v	≤ 300 ms	
Switching state indicator		LED, yellow	

Indicators/operating means

Potentiometer	sensitivity adjustment
---------------	------------------------

Ambient conditions

Ambient temperature	-25 ... 70 °C (-13 ... 158 °F)
Storage temperature	-25 ... 85 °C (-13 ... 185 °F)

Mechanical specifications

Connection type	cable PVC, 2 m
Core cross-section	0.75 mm ²
Housing material	PBT
Sensing face	PBT
Degree of protection	IP67
Note	¹⁾ In the temperature range below 0 °C, permissible operating voltage U_b 80...253 V Safety fuse ≤ 0.8 A (quick-blow) according to IEC 60127-2 Sheet 1 Recommendation: after a short circuit, check that the device is functioning correctly.

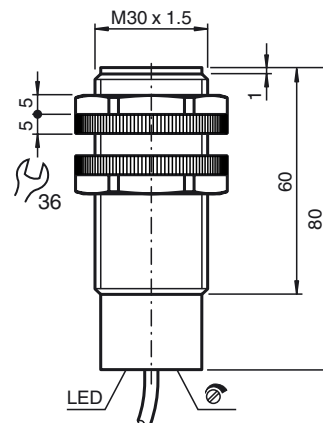
Compliance with standards and directives

Standard conformity	
Standards	EN 60947-5-2:2007 IEC 60947-5-2:2007

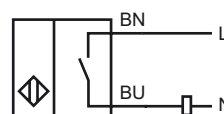
Approvals and certificates

UL approval	cULus Listed, General Purpose
CSA approval	cCSAus Listed, General Purpose
CCC approval	Certified by China Compulsory Certification (CCC)

Dimensions

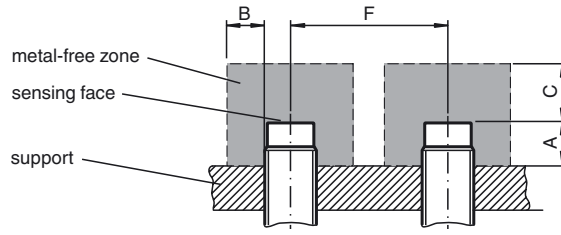


Electrical Connection



Release date: 2014-05-22 07:55 Date of issue: 2014-05-22 020051_eng.xml

Installation Conditions



Release date: 2014-05-22 07:55 Date of issue: 2014-05-22 020051_eng.xml