

LABEL HOLDER, FLAT, FRAME WITH ROUNDED BOTTOM, BLACK, FOR 2 LABELING PLATES 17.5MM X 27MM, FOR SNAP-ON

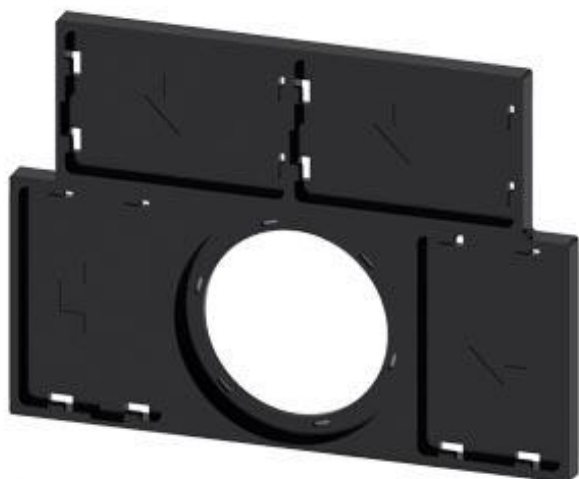


Figure similar

Product brand name	SIRIUS ACT
Product designation	Label holder
Design of the product	for labeling plate 17.5 x 27 mm
Product type designation	3SU1

General technical data

Protection class IP	IP66, IP67, IP69(IP69K)
Degree of protection NEMA rating	NEMA 1, 2, 3, 3R, 4, 4X, 12
Shock resistance	Category 1, Class B
<ul style="list-style-type: none"> for railway applications acc. to DIN EN 61373 	Category 1, Class B
Vibration resistance	Category 1, Class B
<ul style="list-style-type: none"> for railway applications acc. to DIN EN 61373 	Category 1, Class B

Installation/ mounting/ dimensions




Height	17.5 mm
Width	27 mm

Accessories

Material of accessory	Plastic
Shape of label holder	square at bottom

Color of label holder	Black
Mounting type of label	stick
Product function Illuminated backing plate	No

Certificates/approvals

General Product Approval		Declaration of Conformity	Test Certificates
 CSA	 UL		 EG-Konf.
			Declaration of the Compliance with the order
			Special Test Certificate

other

[Confirmation](#)

Further information

Information- and Downloadcenter (Catalogs, Brochures,...)

<http://www.siemens.com/industrial-controls/catalogs>

Industry Mall (Online ordering system)

<https://mall.industry.siemens.com/mall/en/en/Catalog/product?mlfb=3SU1900-0BT10-0AA0>

Cax online generator

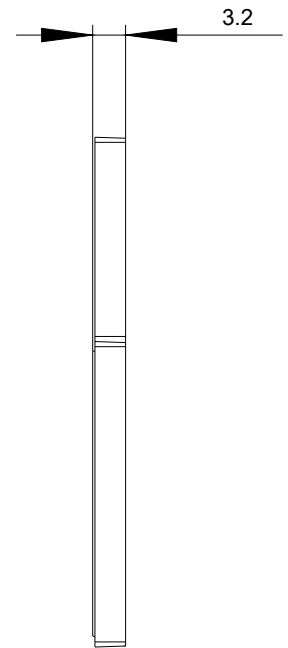
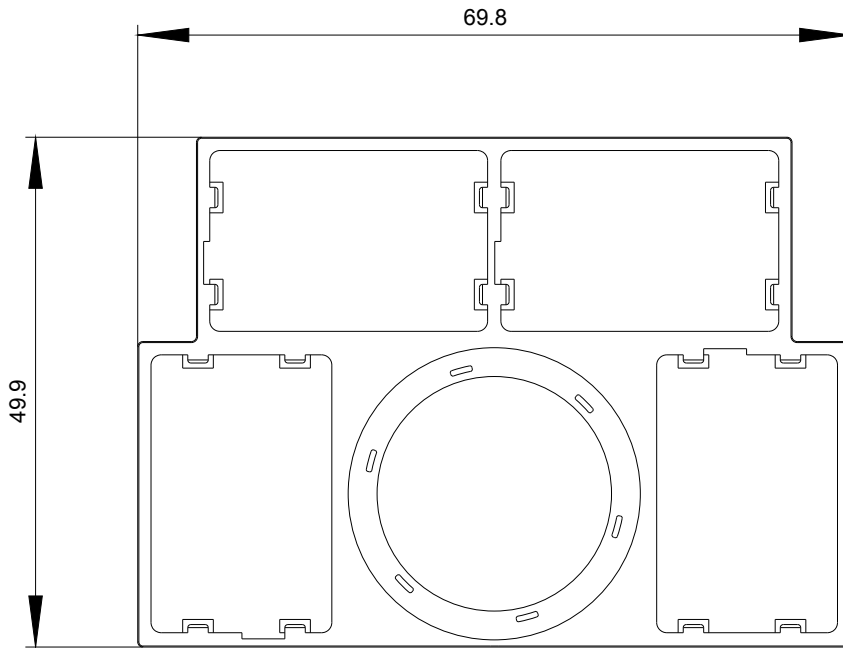
<http://support.automation.siemens.com/WW/CAXorder/default.aspx?lang=en&mlfb=3SU1900-0BT10-0AA0>

Service&Support (Manuals, Certificates, Characteristics, FAQs,...)

<https://support.industry.siemens.com/cs/ww/en/ps/3SU1900-0BT10-0AA0>

Image database (product images, 2D dimension drawings, 3D models, device circuit diagrams, EPLAN macros, ...)

http://www.automation.siemens.com/bilddb/cax_de.aspx?mlfb=3SU1900-0BT10-0AA0&lang=en



last modified:

09/25/2017