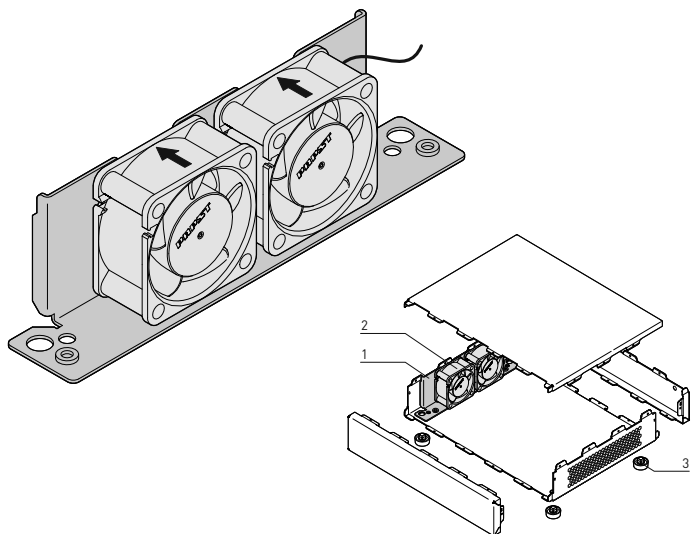


Electronics cases – Interscale M

Fan holder with fans



02613060 02613054

Illustration shows desktop case

- Fan holder for mounting on bottom of case
- Fans are simple to fit to the fan holder using vibration-damping fixing material
- Fan holders fix into desktop case with 2 plastic feet or into 19" case with 2 screws

Delivery includes

| Item | Qty | Description |
|------|-----|---|
| 1 | 1 | Fan holder with fan openings, St, 1 mm, AlZn coated |
| 2 | | For fan size and number see Order Information |
| 3a | 4 | Desktop cases: Plastic foot, PC, UL 94 V-0, black |
| 3b | 2 | 19" case (width 444 mm): Countersunk screw |
| 4 | 1 | Assembly kit and user manual |

Order Information

| | For case | | | Fan holder with fans | | | | | Part no. | | |
|----------------------|------------------|-------|-------|----------------------|--------|-------|----------------|----------------|--------------|------------------|------------------|
| | height | width | depth | Height | Width | Depth | Fan dimensions | Number of fans | | | |
| | U | mm | mm | mm | mm | mm | mm | | | | |
| Desktop cases | 1 | 44 | 221 | 177 | 41.15 | 28.50 | 145.00 | 40 x 40 x 20 | 2 | 24828-104 | |
| | 1 | 44 | 221 | 221 | 41.15 | 28.50 | 189.45 | 40 x 40 x 20 | 3 | 24828-105 | |
| | 1 | 44 | 310 | 221 | 41.15 | 28.50 | 189.45 | 40 x 40 x 20 | 3 | 24828-105 | |
| | 1 | 44 | 399 | 221 | 41.15 | 28.50 | 189.45 | 40 x 40 x 20 | 3 | 24828-105 | |
| | 1 | 44 | 399 | 310 | 41.15 | 28.50 | 278.35 | 40 x 40 x 20 | 5 | 24828-107 | |
| | 2 | 88 | 221 | 177 | 85.60 | 31.00 | 145.00 | 80 x 80 x 25 | 1 | 24828-204 | |
| | 2 | 88 | 221 | 221 | 85.60 | 31.00 | 189.45 | 80 x 80 x 25 | 1 | 24828-205 | |
| | 2 | 88 | 310 | 221 | 85.60 | 31.00 | 189.45 | 80 x 80 x 25 | 1 | 24828-205 | |
| | 2 | 88 | 399 | 221 | 85.60 | 31.00 | 189.45 | 80 x 80 x 25 | 1 | 24828-205 | |
| | 2 | 88 | 399 | 310 | 85.60 | 31.00 | 278.35 | 80 x 80 x 25 | 2 | 24828-207 | |
| | 3 | 133 | 310 | 221 | 130.05 | 31.00 | 189.45 | 119 x 119 x 25 | 1 | 24828-305 | |
| | 3 | 133 | 399 | 221 | 130.05 | 31.00 | 189.45 | 119 x 119 x 25 | 1 | 24828-305 | |
| | 3 | 133 | 399 | 310 | 130.05 | 31.00 | 278.35 | 119 x 119 x 25 | 2 | 24828-307 | |
| | 19" cases | 1 | 44 | 444 | 221 | 41.15 | 28.50 | 189.45 | 40 x 40 x 20 | 3 | 24828-105 |
| | | 1 | 44 | 444 | 310 | 41.15 | 28.50 | 278.35 | 40 x 40 x 20 | 5 | 24828-107 |
| 2 | | 88 | 444 | 221 | 85.60 | 31.00 | 189.45 | 80 x 80 x 25 | 1 | 24828-205 | |
| 2 | | 88 | 444 | 310 | 85.60 | 31.00 | 278.35 | 80 x 80 x 25 | 2 | 24828-207 | |
| 3 | | 133 | 444 | 221 | 130.05 | 31.00 | 189.45 | 119 x 119 x 25 | 1 | 24828-305 | |
| 3 | | 133 | 444 | 310 | 130.05 | 31.00 | 278.35 | 119 x 119 x 25 | 2 | 24828-307 | |

Note

- Fan holder cannot be used in conjunction with the mounting plate (instead use mounting plate with integrated fan holder)