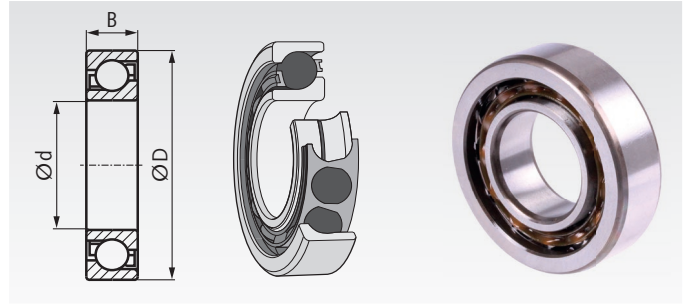


Angular Contact Ball Bearings SKF®, Single Row, inner diameter 10 - 30 mm

Material: Bearing steel.

- Angular contact ball bearings in premium-quality.
- For common axial and radial load.
- Usable for high speed.
- Basic version for one bearing per bearing point (shaft end).
- A second bearing point (opposite bearing) is required.



Temperature range: -30°C to +90°C (for short time up to +110°C).

Other versions or sizes on request.

Ordering Details: e.g.: Product No., quantity

Product No.	SKF-code	Main dimensions			Version	Load rating radial			Speed base min ⁻¹	Speed limit min ⁻¹	Weight g
		d mm	D mm	B mm		dyn.C kN	stat.C ₀ kN	P _u * kN			
647 710 01	7200 BEP	10	30	9	basic	7,02	3,35	0,14	30.000	30.000	30
647 710 02	7201 BEP	12	32	10	basic	7,61	3,8	0,16	26.000	26.000	36
647 710 05	7202 BEP	15	35	11	basic	8,84	4,8	0,204	24.000	24.000	45
647 710 08	7203 BEP	17	40	12	basic	10,4	5,5	0,236	20.000	20.000	64
647 710 13	7204 BEP	20	47	14	basic	13,3	7,65	0,325	18.000	18.000	110
647 710 22	7205 BEP	25	52	15	basic	14,8	9,3	0,40	15.000	15.000	130
647 710 29	7206 BEP	30	62	16	basic	22,5	14,3	0,61	13.000	13.000	190

Supplementary designations:

B = 40° contact angle.

E = Optimized internal design.

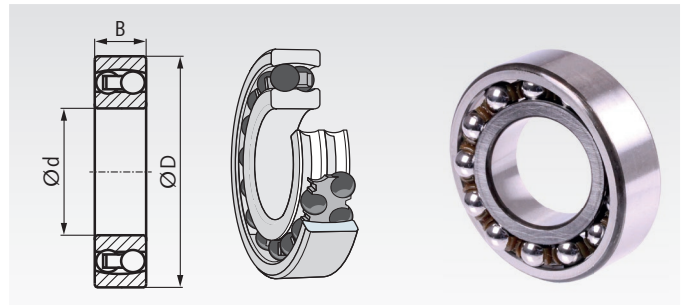
P = Injection moulded window-type cage of glass fibre reinforced polyamide 66, ball centred.

* Fatigue load limit.

Self Aligning Ball Bearings SKF®, Double Row, inner diameter 10 - 50 mm

Material: Bearing steel.

- Self aligning ball bearings in premium-quality.
- For middle-high, common axial and radial load.
- Usable at angular displacement.
- Usable for high speed.



Temperature range: -30°C to +90°C (for short time up to +110°C).

Clearance CN: Normal bearing play. **Clearance C3:** Greater play.

Other versions or sizes on request.

Ordering Details: e.g.: Product No., quantity

Product No. Clearance CN	SKF-Code	Product No. Clearance C3	SKF-Code	Main dimensions			Version	Load radial			Speed limit min ⁻¹	Weight g
				d mm	D mm	B mm		dyn.C kN	stat.C ₀ kN	α* Grad		
647 730 12	1200 ETN9	-	-	10	30	9	basic, open	5,53	1,18	2,5	36.000	34
647 730 14	2200 E-2RS1TN9	-	-	10	30	14	sealed on both sides	5,53	1,18	1,5	17.000	48
647 730 16	1201 ETN9	-	-	12	32	10	basic, open	6,24	1,43	2,5	32.000	40
647 730 18	2201 E-2RS1TN9	-	-	12	32	14	sealed on both sides	6,24	1,43	1,5	16.000	53
647 730 24	1202 ETN9	647 733 24	1202 ETN9/C3	15	35	11	basic, open	7,41	1,76	2,5	28.000	49
647 730 26	2202 E-2RS1TN9	647 733 26	2202 E-2RS1TN9/C3	15	35	14	sealed on both sides	7,41	1,76	1,5	14.000	58
647 730 32	1203 ETN9	647 733 32	1203 ETN9/C3	17	40	12	basic, open	8,84	2,2	2,5	24.000	73
647 730 34	2203 E-2RS1TN9	-	-	17	40	16	sealed on both sides	8,84	2,2	1,5	12.000	89
647 730 40	1204 ETN9	647 733 40	1204 ETN9/C3	20	47	14	basic, open	12,7	3,4	2,5	20.000	120
647 730 42	2204 E-2RS1TN9	647 733 42	2204 E-2RS1TN9/C3	20	47	18	sealed on both sides	12,7	3,4	1,5	10.000	140
647 730 48	1205 ETN9	647 733 48	1205 ETN9/C3	25	52	15	basic, open	14,3	4,0	2,5	18.000	140
647 730 50	2205 E-2RS1TN9	647 733 50	2205 E-2RS1TN9/C3	25	52	18	sealed on both sides	14,3	4,0	1,5	9.000	160
647 730 56	1206 ETN9	647 733 56	1206 ETN9/C3	30	62	16	basic, open	15,6	4,65	2,5	15.000	220
647 730 58	2206 E-2RS1TN9	-	-	30	62	20	sealed on both sides	15,6	4,65	1,5	7.500	260
647 730 64	1207 ETN9	647 733 64	1207 ETN9/C3	35	72	17	basic, open	19,0	6,0	2,5	13.000	320
647 730 66	2207 E-2RS1TN9	647 733 66	2207 E-2RS1TN9/C3	35	72	23	sealed on both sides	19,0	6,0	1,5	6.300	410
647 730 72	1208 ETN9	647 733 72	1208 ETN9/C3	40	80	18	basic, open	19,9	6,95	2,5	11.000	420
647 730 74	2208 E-2RS1TN9	-	-	40	80	23	sealed on both sides	19,9	6,95	1,5	5.600	500
647 730 82	1209 ETN9	647 733 82	1209 ETN9/C3	45	85	19	basic, open	22,9	7,8	2,5	11.000	470
647 730 84	2209 E-2RS1TN9	-	-	45	85	23	sealed on both sides	22,9	7,8	1,5	5.300	530
647 730 90	1210 ETN9	647 733 90	1210 ETN9/C3	50	90	20	basic, open	26,5	9,15	2,5	10.000	530
647 730 92	2210 E-2RS1TN9	-	-	50	90	23	sealed on both sides	22,9	8,15	1,5	4.800	570

Supplementary designations:

E = Optimized internal design.

TN9 = Injection moulded snap-type cage of glass fibre reinforced polyamide 66, ball centred

2RS1 = Sheet steel reinforced contact seal of acrylonitrile-butadiene rubber (NBR) on both sides.

C3 = greater bearing clearance.

* Max. disalignement.