

Product information

92 22 04

Universal Tweezers



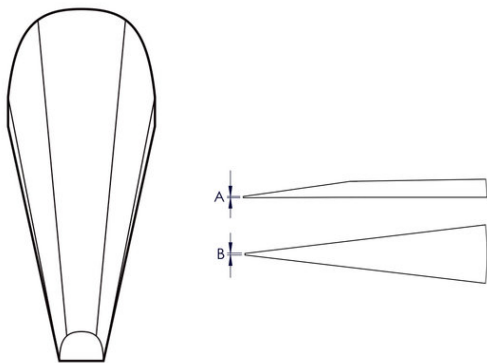
- Universal Tweezers are suitable for demanding standard applications and precision tasks
- Wide range of designs: straight, angled, gripping surfaces and handles smooth or serrated, with needle points, narrow or blunt tips, as well as different lengths
- For the electronics industry, watchmakers and jewellers
- High quality stainless steel: extremely tough and very good corrosion resistance against a variety of atmospheric environments and many corrosive materials
- Stainless steel

General

Article No.	92 22 04
Reference number	AA.SA.B
EAN	4003773054665
Material	stainless steel
Gripping surfaces	smooth gripping surfaces
Weight	18 g
Dimensions	128 x 12 x 10 mm
REACH compliant	does not contain SVHC
RoHS compliant	not applicable

Technical details

Surface	matt finish
Finish	straight
Tips width (A)	0.3 mm
Tips width (B)	0.5 mm
Corrosion-resistant	yes
Acid resistance	very good
ESD-tested	no
VDE tested	no
Sectors	Industry electronics
Magnetic	non-magnetisable (80%)



technical change and errors excepted