

Power Cord with Locking System for Inlet Filters IL 13, IL 13 P, IL 19



- Locking system for standardized IEC C14/C20 inlet filter
- No accidental disconnection
- Rated current up to 10 A (C13 plug), up to 15 A (C13P plug), and up to 16 A (C19 plug)
- Fits any Schaffner IEC C14/C20 inlet filter
- Retrofit for any IEC C14/C20 inlet
- Various power line plugs for international usage



Approvals



The locking system has a tensile force of typical 200N. It is recommended to use it with flange mount filters. For details refer to our Application Note "Using IEC Lock Power Cords with IEC Inlets and Filters"

Schaffner power cords with IEC lock guard against accidental disconnection of all electrical appliances with an IEC inlet. No exchange or modification of the IEC inlet or IEC inlet filter system is needed. Easy retrofit for all electronic equipments and devices.

Technical specifications IL 13/IL 13 P

Maximum continuous operating voltage	250 VAC, 50/60 Hz
Rated currents	10 A for C13 plug, 15 A for C13P plug
High potential test voltage	P→ PE 2000 VAC (1 min 50 Hz) P → N 2000 VAC (1 min 50 Hz)
Protection category	IP 20 according IEC 60529
Temperature range (operation and storage)	-25°C to +70°C
Connector (load side)	IEC C13 according to IEC/EN 60320-2-2 with IEC Lock UL 498, CSA C22.2 no. 42 (for cold conditions) pin temperature 70°C, 10 A, Protection Class I
Connector (line side)	IEC C14 according to IEC/EN 60320-2-2; EU Schuko plug CEE7/II; UK plug BS 1363; US NEMA 5-15 plug standard or hospital grade (UL 817); CH plug SEV 1011; JP plug JIS 8303 Other plugs on request
Flammability corresponding to	Plugs: UL 94 V-2 or better; Cable: IEC 60332-1 Cat. F2

Features and benefits

- Power cord with locking system for IEC inlets
- Protection class I (IL 13, IL 13 P)
- Suitable for use with any C14 IEC inlet (IL 13, IL 13 P) and C20 IEC inlet (IL 19)
- Fits the complete Schaffner IEC inlet filter program with C14 IEC inlet and C20 IEC inlet (IL 19)
- Max. pin temperature 70°C

Typical applications

- Data centers
- Industrial equipment
- Medical devices
- In-vitro diagnostic devices
- Broadcasting stations
- Mobile applications

Technical specifications IL 19

Maximum continuous operating voltage	250 VAC, 50/60 Hz
Rated currents	16 A (IEC)
Operating frequency	50 to 400 Hz
High potential test voltage	P→ PE 2000 VAC (1 min 50 Hz) P → N 2000 VAC (1 min 50 Hz)
Protection category	IP 20 according IEC 60529
Temperature range (operation and storage)	-25°C to +70°C
Cable	2 m; 3 x 1.50 mm ² ; H05 VV-5; 6 ft; 3 x AWG14 SJT; black; other lengths or colors on request
Connector (load side)	IEC C19 according to IEC/EN 60320-2-2 with IEC lock, UL 498, CSA C22.2 no. 42 (for cold conditions) pin temperature 70°C, 16 A, Protection Class I
Connector (line side)	C20 according to IEC/EN 60320-2-2; EU Schuko plug CEE7/II angled; UK plug BS 1363 angled; US plug NEMA 5-15 straight; other plugs on request
Flammability corresponding to	Plugs: UL 94 V-2 or better; Cable: IEC 60332-1 Cat. F2

Cable selection table IL 13

IL 13-C14-H05-3100-200	IEC cable assembly with locking system for IEC C14 inlet, EU version
IL 13-C14-SVT-3100-183	IEC cable assembly with locking system for IEC C14 inlet, US version
IL 13-CH1-H05-3100-X*	IEC cable assembly with locking system for IEC C14 inlet, CH version
IL 13-EU1-H05-3100-X*	IEC cable assembly with locking system for IEC C14 inlet, EU version
IL 13-JP1-HVCTF-3125-X*	IEC cable assembly with locking system for IEC C14 inlet, JP version
IL 13-SE-H05-3100-X*	IEC cable assembly with locking system for IEC C14 inlet, stripped ends
IL 13-UK1-H05-3100-200	IEC cable assembly with locking system for IEC C14 inlet, UK version
IL 13-US1-SVT-3100-Y*	IEC cable assembly with locking system for IEC C14 inlet, US version
IL 13-US2-SJT-3100-Y*	IEC cable assembly with locking system for IEC C14 inlet, US version, hospital grade

To compile a complete part number, please replace the x* or y* with the required length:

- X* options = 200, 300, 400
- Y* options = 6, 9 and 12 feet

Available combinations IL 13

To compile a complete part number exchange the letters (IL13-yyy-zzz-aaaa-bbb-c) with the data from the table below.

Load side IL13		Line side plug		Cable type		Cable core		Rating	Cable length*		Cable color		Cert.
IL13		yyy	zzz	aaaa		bbb	c						
IL13	IEC C13 Female plug, straight, lock	IEC C14, male, straight Australian plug 3 pins SEV1011, straight CEE 7/VI, right angled or straight Italian Plug Israel Plug Korean Plug South African Plug Stripped Ends BS1363, right angled fused 5A	C14	H05VV-F	H05	3x1.00mm ²	3100	250VAC 10A	6 feet	183	Black Blue Orange Red White	- B O R W	CB KC KEMA SAA
			AU1						200 cm	200			
			CH1						9 feet	275			
			EU1						300 cm	300			
			IT1						12 feet	366			
			IL1						400 cm	400			
			KC1						500 cm	500			
			SA1						1000 cm	1000			
			SE										
			UK1										
IL13	IEC C13 Female plug, straight, lock	IEC C14, male, straight Japanese plug JIS C8303 Stripped Ends	C14	HVCTF	HVCTF	3x1.25mm ² 3x2.00mm ²	3125 3200	125VAC 12A 15A	100 cm	100	Black Blue Orange Red White	- B O R W	PSE
			JP1						200 cm	200			
			SE						300 cm	300			
									400 cm	400			
IL13	IEC C13 Female plug, straight, lock	IEC C14, male, straight Stripped Ends NEMAS-15, straight NEMAS-15, straight, hospital grade	C14	SJT	SJT	AWG 18 AWG 16 AWG 14	3100 3130 3160	250VAC 10A 13A 15A	6 feet	183	Black Blue Orange Red White	- B O R W	UL cUL
			SE						200 cm	200			
			US1						9 feet	275			
			US2						300 cm	300			
									12 feet	366			
									400 cm	400			
	500 cm	500											
	1000 cm	1000											
IL13	IEC C13 Female plug, straight, lock	IEC C14, male, straight Chinese plug Stripped Ends	C14	RVV	RVV	3x1.00mm ²	3100	250VAC 10A	200 cm	200	Black Blue Orange Red White	- B O R W	CCC
			CN1										
IL13	IEC C13 Female plug, straight, lock	IEC C14, male, straight Indian plug 3 Pin Stripped Ends	C14	IS 694	IS694	3x1.00mm ²	3100	250VAC 10A	200 cm	200	Black Blue Orange Red White	- B O R W	CB
			IN1										
			SE										

*feet values are calculated to the matching length in cm

Cable selection table IL 13 P

IL 13 P-C14-H05-3100-200	IEC cable assembly with locking system + for IEC C14 inlet, EU version
IL 13 P-CH1-H05-3100-200	IEC cable assembly with locking system + for IEC C14 inlet, CH version
IL 13 P-EU1-H05-3100-200	IEC cable assembly with locking system + for IEC C14 inlet, EU version
IL 13 P-JP1-HVCTF-3125-200	IEC cable assembly with locking system + for IEC C14 inlet, JP version
IL 13 P-SE-H05-3100-200	IEC cable assembly with locking system + for IEC C14 inlet, stripped ends
IL 13 P-UK1-H05-3100-200	IEC cable assembly with locking system + for IEC C14 inlet, UK version
IL 13 P-US1-SJT-3160-Y*	IEC cable assembly with locking system + for IEC C14 inlet, US version

To compile a complete part number, please replace the x* or y* with the required length:

- X* options = 200, 300, 400
- Y* options = 6, 9 and 12 feet

Available combinations IL 13 P

To compile a complete part number exchange the letters (IL13P-yyy-zzz-aaa-bbb-c) with the data from the table below.

Load side IL13P		Line side plug		Cable type		Cable core		Rating	Cable length*		Cable color		Cert.
IL13P		yyy	zzz	aaa	bbb	ccc	ddd	eee	fff	ggg	hhh	iii	jjj
IL13P	IEC C13 + Female plug, straight, lock	IEC C14, male, straight	C14	H05VV-F	H05	3x1.00mm ²	3100	250VAC 10A	6 feet	183	Black Blue Orange Red White	- B O R W	CB KC KEMA SAA
		Australian plug 3 pins	AU1						200 cm	200			
		SEV1011, straight	CH1						9 feet	275			
		CEE 7/VII, right angled or straight	EU1						300 cm	300			
		Italian Plug	IT1						12 feet	366			
		Israel Plug	IL1						400 cm	400			
		Korean Plug	KC1						500 cm	500			
South African Plug	SA1	1000 cm	1000										
Stripped Ends	SE												
BS1363, right angled fused 5A	UK1												
IL13P	IEC C13 + Female plug, straight, lock	IEC C14, male, straight	C14	HVCTF	HVCTF	3x1.25mm ² 3x2.00mm ²	3125 3200	125VAC 12A 15A	100 cm	100	Black Blue Orange Red White	- B O R W	PSE
		Japanese plug JIS C8303	JP1						200 cm	200			
		Stripped Ends	SE						300 cm	300			
									400 cm	400			
IL13P	IEC C13 + Female plug, straight, lock	IEC C14, male, straight	C14	SJT SVT	SJT SVT	AWG 18 AWG 16 AWG 14	3100 3130 3160	250VAC 10A 13A 15A	6 feet	183	Black Blue Orange Red White	- B O R W	UL cUL
		Stripped Ends	SE						200 cm	200			
		NEMA5-15, straight	US1						9 feet	275			
		NEMA5-15, straight, hospital grade	US2						300 cm	300			
									12 feet	366			
									400 cm	400			
500 cm	500	1000 cm	1000										
IL13P	IEC C13 + Female plug, straight, lock	IEC C14, male, straight	C14	RWV	RWV	3x1.00mm ²	3100	250VAC 10A	200 cm	200	Black Blue Orange Red White	- B O R W	CCC
		Chinese plug	CN1										
		Stripped Ends	SE										
IL13P	IEC C13 + Female plug, straight, lock	IEC C14, male, straight	C14	IS 694 1000V	IS694	3x1.00mm ²	3100	250VAC 10A	200 cm	200	Black Blue Orange Red White	- B O R W	CB
		Indian plug 3 Pin	IN1										
		Stripped Ends	SE										

*feet values are calculated to the matching length in cm

Cable selection table IL 19

IL 19-C20-H05-3150-200	IEC cable assembly with locking system for IEC C20 inlet, EU version
IL 19-C20-SJT-3160-183	IEC cable assembly with locking system for IEC C20 inlet, US version
IL 19-EU1-H05-3150-200	IEC cable assembly with locking system for IEC C20 inlet, EU version
IL 19-SE-H05-3150-200	IEC cable assembly with locking system for IEC C20 inlet, stripped ends
IL 19-UK1-H05-3150-200	IEC cable assembly with locking system for IEC C20 inlet, UK version
IL 19-US1-SJT-3160-183	IEC cable assembly with locking system for IEC C20 inlet, US version

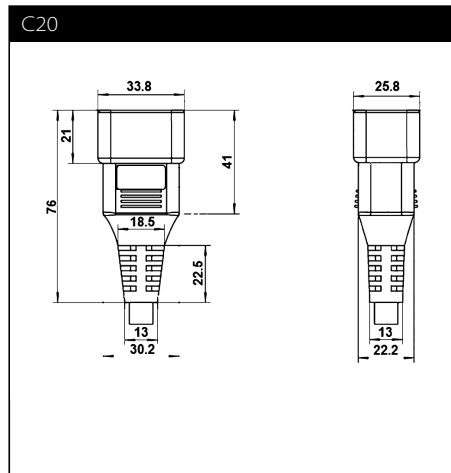
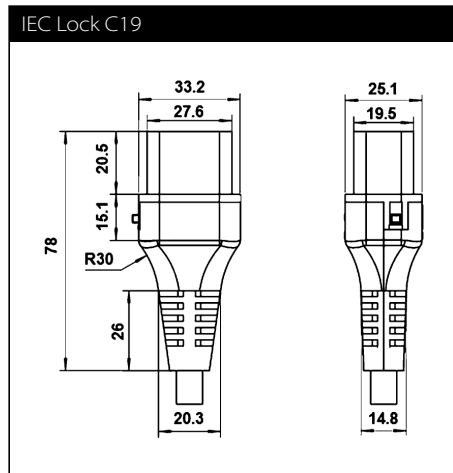
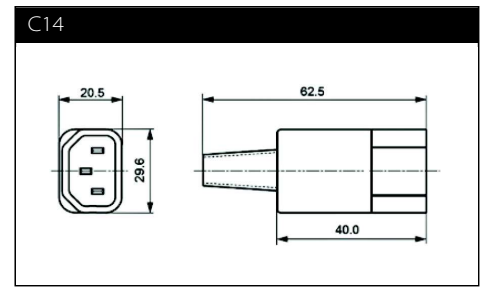
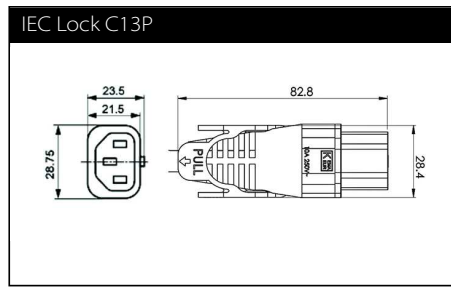
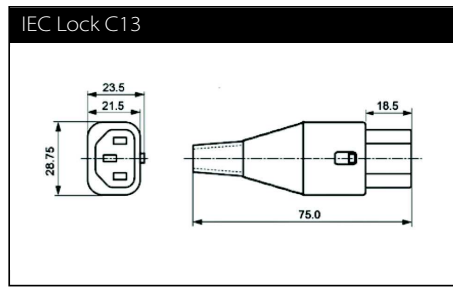
Available combinations IL 19

To compile a complete part number exchange the letters (IL19-yyy-zzz-aaa-bbb-c) with the data from the table below.

Load side IL19		Line side plug			Cable type		Cable core	Rating	Cable length*		Cable color		Cert.
IL19		yyy	zzz	aaa				bbb	c				
IL19	IEC C19 Female plug, straight, lock	IEC C20, male, straight	C20	H05VV-F	H05	3x1.50mm ²	3150	250VAC 16A	6 feet	183	Black Blue Orange Red White	- B O R W	CB KEMA SAA
		Australian plug 3 pins	AU1						200 cm	200			
		SEV1011, straight	CH1						9 feet	275			
		CEE 7/VI, right angled or straight	EU1						300 cm	300			
		Italian Plug	IT1						12 feet	366			
		South Africa plug	SA1						400 cm	400			
		Stripped Ends	SE						500 cm	500			
BS1363, right angled fused 5A	UK1	1000 cm	1000										
IL19	IEC C19 Female plug, straight, lock	IEC C20, male, straight	C20	HVCTF	HVCTF	3x2.00mm ²	3200	250VAC 20A	100 cm	100	Black Blue Orange Red White	- B O R W	PSE
		Japanese plug JIS C8303	JP1						200 cm	200			
		Stripped Ends	SE						300 cm	300			
									400 cm	400			
									500 cm	500			
IL19	IEC C19 Female plug, straight, lock	IEC C20, male, straight	C20	SJT SVT	SJT SVT	AWG14 AWG12	3160 3205	250V 18A 20A	6 feet	183	Black Blue Orange Red White	- B O R W	UL cUL
		Stripped Ends	SE						200 cm	200			
		NEMA5-15, straight	US1						9 feet	275			
		Nema 5-20P	US3						300 cm	300			
									12 feet	366			
									400 cm	400			
									500 cm	500			
		1000 cm	1000										
IL19	IEC C19 Female plug, straight, lock	Chinese plug	CN1	RWF	RVVF	3x1.50mm ²	3150	250V 16A	200 cm	200	black	-	CCC

*feet values are calculated to the matching length in cm

Mechanical data



Please visit www.schaffner.com to find more details on filter connectors.



Headquarters, global innovation and development

Switzerland

Schaffner Group

Nordstrasse 11
4542 Luterbach
T +41 32 681 66 26
info@schaffner.com
<http://www.schaffner.com>



Sales and application centers

China

Schaffner EMC Ltd. Shanghai

T20-3 C, No 565 Chuangye Road,
Pudong district
201201 Shanghai
T +86 21 3813 9500
cschina@schaffner.com
<http://www.schaffner.com.cn>

Finland

Schaffner Oy

Sauvonrinne 19 H
08500 Lohja
T +358 50 468 7284
finlandsales@schaffner.com

France

Schaffner EMC S.A.S.

16-20 Rue Louis Rameau
95875 Bezons
T +33 1 34 34 30 60
F +33 1 39 47 02 28
francesales@schaffner.com

Germany

Schaffner Deutschland GmbH

Schoemperlenstrasse 12B
76185 Karlsruhe
T +49 721 56910
F +49 721 569110
germanysales@schaffner.com

India

Schaffner India Pvt. Ltd

Unit 59, Level, Mfar Greenheart 7
Manyata Tech Park, Hebbal Outer Ring Road
560045 Bangalore
T +91 80 6781 9805
F +91 80 6781 9998
indiasales@schaffner.com

Italy

Schaffner EMC S.r.l.

Via Ticino, 30
20900 Monza (MB)
T +39 039 21 41 070
italysales@schaffner.com

Japan

Schaffner EMC K.K.

1-32-12, Kamiyama, Setagaya-ku
7F Mitsui-seimei Sengenjaya Bldg.
154-0011 Tokyo
T +81 3 5712 3650
F +81 3 5712 3651
japansales@schaffner.com
<http://www.schaffner.jp>

Singapore

Schaffner EMC Pte Ltd.

#05-09, Kg Ubi Ind. Estate
408705 Singapore
T +65 6377 3283
F +65 6377 3281
singaporesales@schaffner.com

Spain

Schaffner EMC España

Calle Caléndula 93, Miniparc III, Edificio E
El Soto de Moraleja, Alcobendas
28109 Madrid
T +34 917 912 900
F +34 917 912 901
spainsales@schaffner.com

Sweden

Schaffner EMC AB

Tegeluddsvägen 76, 2tr
115 28 Stockholm
T +46 8 5050 2425
swedensales@schaffner.com
<http://www.schaffner.com>

Switzerland

Schaffner EMV AG

Nordstrasse 11
4542 Luterbach
T +41 32 681 66 26
switzerlandsales@schaffner.com

Taiwan R.O.C.

Schaffner EMV Ltd.

20 Floor-2, No 97, Section 1, XinTai 5th Road
22175 XiZhi District New Taipei City 22175
T +886 2 2697 5500
F +886 2 2697 5533
taiwansales@schaffner.com
<http://www.schaffner.com.tw>

Thailand

Schaffner EMC Co. Ltd.

Northern Region Industrial Estate
67 Moo 4 Tambon Ban Klang
Amphur Muangng P.O. Box 14
51000 Lamphun
T +66 53 58 11 04
F +66 53 58 10 19
thailandsales@schaffner.com

United Kingdom

Schaffner Ltd.

5 Ashville Way, Molly Millars Lane
Wokingham
RG41 2PL Berkshire
T +44 118 9770070
F +44 118 9792969
uksales@schaffner.com

USA

Schaffner EMC Inc.

52 Mayfield Avenue
08837 Edison, New Jersey
T +1 800 367 5566
T +1 732 225 9533
F +1 732 225 4789
usasales@schaffner.com
<http://www.schaffnerusa.com>

Schaffner North America

6722 Thirlane Road
24019 Roanoke, Virginia
T +1 276 228 7943
F +1 276 228 7953

Schaffner North America

823 Fairview Road
24382 Wytheville, Virginia
T +1 276 228 7943
F +1 276 228 7258

To find your local partner within Schaffner's global network: www.schaffner.com

© 2017 Schaffner Group

The content of this document has been carefully checked and understood. However, neither Schaffner nor its subsidiaries assume any liability whatsoever for any errors or inaccuracies of this document and the consequences thereof. Published specifications are subject to change without notice. Product suitability for any area of application must ultimately be determined by the customer. In all cases, products must never be operated outside their published specifications. Schaffner does not guarantee the availability of all published products. This disclaimer shall be governed by substantive Swiss law and resulting disputes shall be settled by the courts at the place of business of Schaffner Holding AG. Latest publications and a complete disclaimer can be downloaded from the Schaffner website. All trademarks recognized.