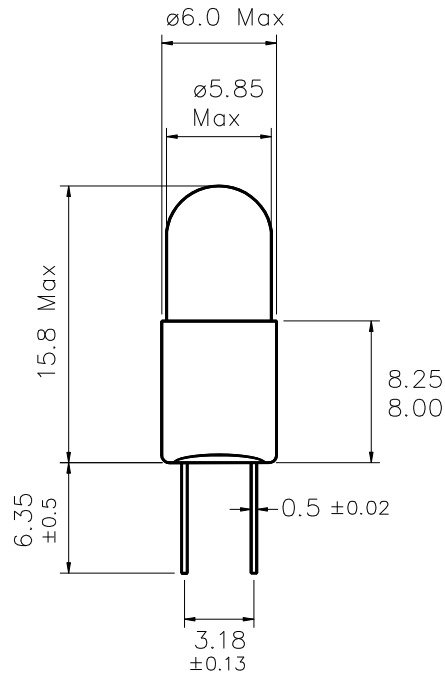


Part Number: 7382

Type	Size	Rating	Description
Incandescent	T6	14V 80mA	T-1¾ Bi-pin Lamp



Dimensions in millimetres

TEST VOLTS	CURRENT (mA)			LIGHT OUTPUT (Lm)			LIFE Hours
	Min.	Nom.	Max.	Min.	Nom.	Max.	
14	72	80	88	2.8	3.8	4.8	15,000

Notes:

- | | | |
|---|-----------------------|-----------------------------|
| 1 | Base Type | White nylon |
| 2 | Filament Shape | C-2F |
| 3 | Lamp Marking | 7382 |
| 4 | Environmental | RoHS & REACH SVHC compliant |