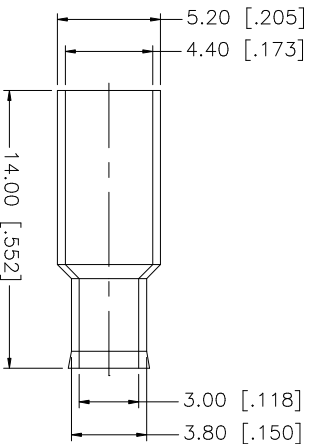
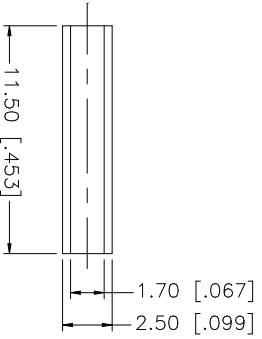
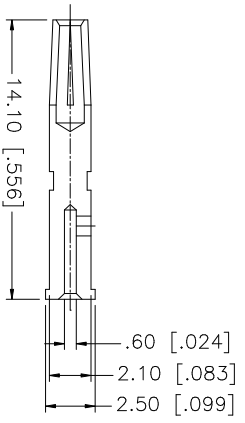
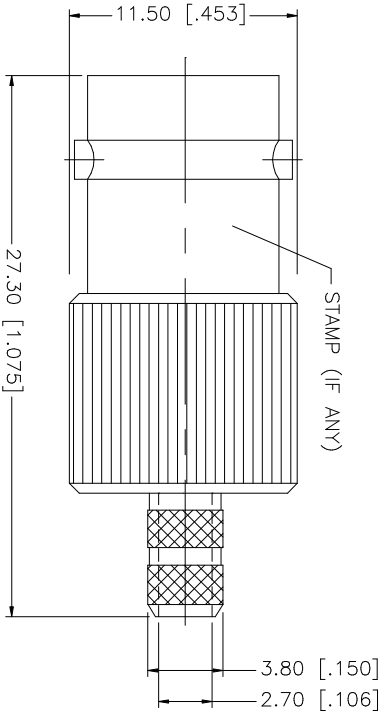
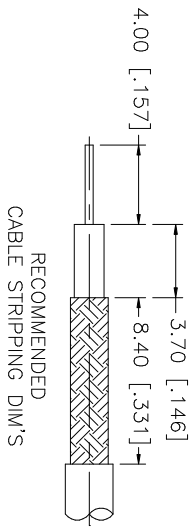


| REV. | DATE     | DESCRIPTION           |
|------|----------|-----------------------|
| B    | 04/04/03 | UPDATE DRAWING FORMAT |



- CRIMP NOTES:
1. CRIMPED FERRULE  
HEX CRIMP SIZE .178"
  2. CRIMPED CONTACT PIN  
HEX CRIMP SIZE .068"

| DESCRIPTION | MATERIAL     | FINISH       | QTY | DO NOT SCALE DRAWING   | APPROVALS         | DATE     | PART DESCRIPTION  |          |   |      |   |       |    |
|-------------|--------------|--------------|-----|--|-------------------|----------|---|----------|---|------|---|-------|----|
| 8           |              |              |     | UNLESS OTHERWISE SPECIFIED DIMENSIONS ARE IN MILLIMETERS. DIMENSIONS IN [ ] ARE IN INCHES AND FOR CUSTOMER REFERENCE ONLY. |                   |          | <b>Amphenol Connex</b><br>BNC CRIMP JACK<br>(FOR RG-174/U, 188A/U, 316/U CABLE) |          |   |      |   |       |    |
| 7           |              |              |     | UNLESS OTHERWISE SPECIFIED TOLERANCES FOR MILLIMETERS ARE:   |                   |          |   |          |   |      |   |       |    |
| 6           |              |              |     | 0.5 - 8mm ± 0.20mm   |                   |          |   |          |   |      |   |       |    |
| 5           | FERRULE      | BRASS        | 1   | B - 30mm ± 0.40mm  | DRAWN             | G.R.S.   |   | 04/04/03 |   |      |   |       |    |
| 4           | SLEEVE       | DELRIIN      | 1   | 30 - 120mm ± 0.30mm  | CHECKED           |          |   |          |   |      |   |       |    |
| 3           | CONTACT PIN  | PHOS. BRONZE | 1   | UNLESS OTHERWISE SPECIFIED TOLERANCES FOR INCHES ARE:  | ISSUED            |          |   |          |   |      |   |       |    |
| 2           | INSULATOR    | DELRIIN      | 1   | .020 - .315 = ± 0.002"   | SHEET             | 1 OF 1   |   |          |   |      |   |       |    |
| 1           | HOUSING/BODY | BRASS        | 1   | .315 - 1.180 = ± 0.015"<br>1.180 - 4.724 = ± 0.020"  | CAD FILE          |          |   |          |   |      |   |       |    |
| DESCRIPTION |              |              |     |  | C:\112\112160.DWG | DWG. NO. | 112160.DWG  | REV.     | B | SIZE | A | SCALE | NA |