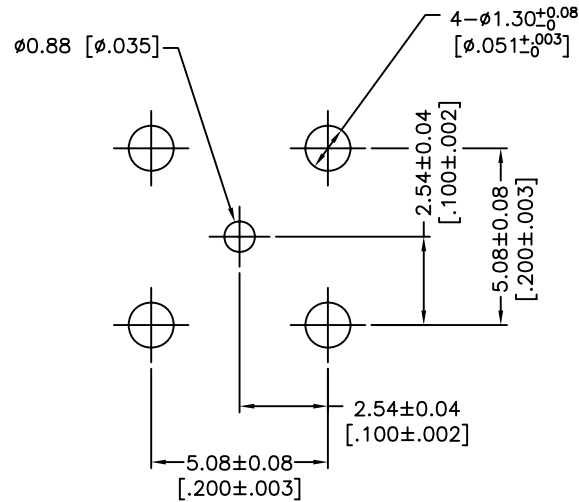
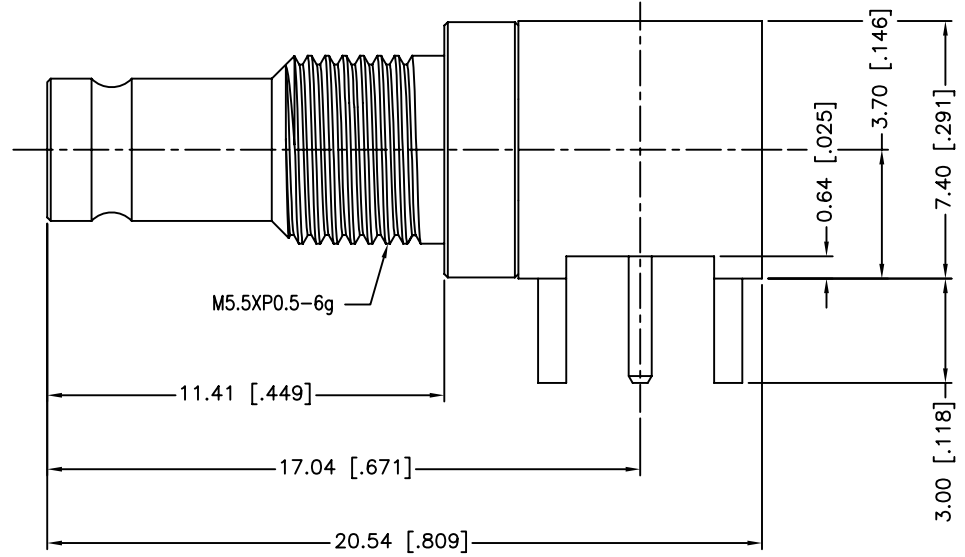
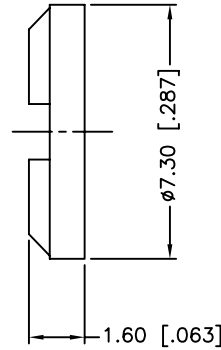
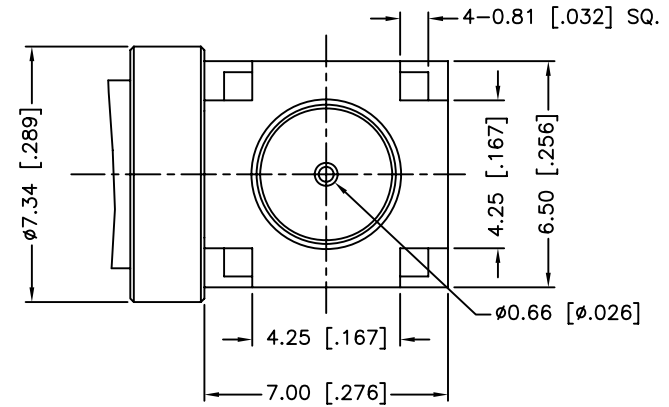


1. IMPEDANCE: 75 OHM
2. FREQUENCY RANGE: DC 0-3 GHZ
3. VSWR(RETURN LOSS): 1.15, MAX.
4. DIELECTRIC WITHSTANDING VOLTAGE: 750 VRMS, MIN.
5. DURABILITY: 500 CYCLES MIN.
6. TEMPERATURE RANGE: -40°C TO +155°C

REV.	DATE	ECR NO.	DESCRIPTION
NC	08/04/10	XXXXXX	INITIAL RELEASE
A	01/28/13	2431	UPDATE TOLERANCES, UPDATE DRAWING FORMAT



RECOMMENDED  
MOUNTING HOLE



6	SPANNER NUT	BRASS	NICKEL	1
5	INSULATOR	PTFE	NATURAL	1
4	HOUSING	BRASS	BRIGHT TIN	1
3	INSULATOR	PTFE	NATURAL	1
2	CONTACT PIN	PHOSPHOR BRONZE	GOLD	1
1	BODY	BRASS	GOLD	1
	DESCRIPTION	MATERIAL	FINISH	QTY

UNLESS OTHERWISE SPECIFIED DIMENSIONS ARE IN MILLIMETERS. DIMENSIONS IN [ ] ARE IN INCHES AND FOR CUSTOMER REFERENCE ONLY.

UNLESS OTHERWISE SPECIFIED TOLERANCES FOR MILLIMETERS ARE:  
 <0.5 ± 0.05mm  
 0.5 - 6mm ± 0.10mm  
 6 - 30mm ± 0.20mm  
 30 - 120mm ± 0.30mm  
 ANGLES ± 1°  
 UNLESS OTHERWISE SPECIFIED TOLERANCES FOR INCHES ARE:  
 <.020 ± 0.002"  
 .020 - .236 = ± 0.004"  
 .236 - 1.180 = ± 0.007"  
 1.180 - 4.724 = ± 0.012"  
 ANGLES ± 1°

DO NOT SCALE DRAWING

APPROVALS		DATE
DRAWN	S.LI	01/28/13
CHECKED		
ISSUED		
SHEET	1 OF 1	
CAD FILE	C:/CONNEX/282139-75.DWG	

# Amphenol Connex

PART DESCRIPTION

1.0/2.3 R/A BULKHEAD PCB RECEPT. JACK  
(75 ohm)

PART NO.

282139-75

DWG. NO. 282139-75.DWG

REV. A

SIZE A

SCALE NA