

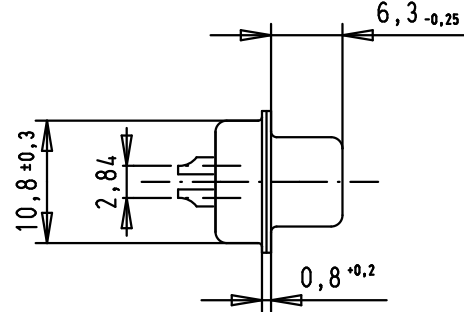
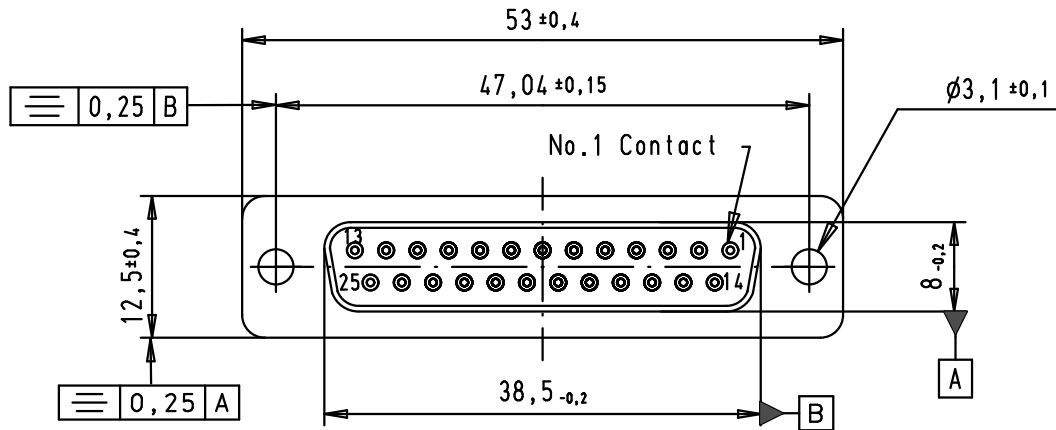
5

4

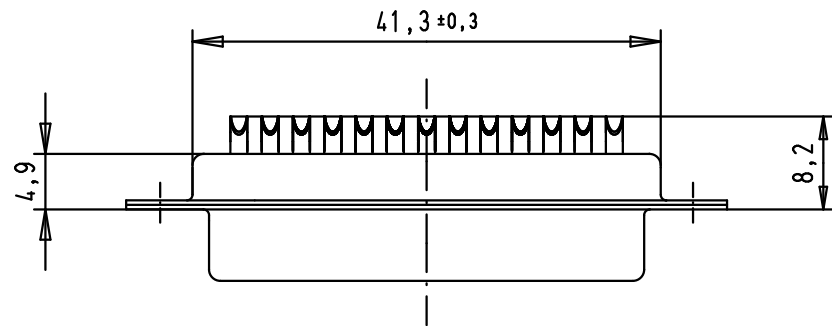
3

2

1



Solder buckets for AWG 20 Max



SPECIFICATION

Performance level	PL2
Filter type	C
Capacitance	1000pf±20%
Working Voltage	100v
Current Rating	7.5A
Insulation Resistance	>1GΩ

FREQUENCY (MHz)	ATTENUATION dB
5	1dB
10	3dB
50	12dB
100	20dB
500	34dB
1000	30dB

D

C

B

A

							D-Sub, female, straight, 25 Poles, solder buckets, with holes	Maßstab/ Scale 1.5:1
			Detail.	8-JUL-02	CV			
			Insp.	12/01/12	JB	All Dim. in mm Orig. Size DIN A 4	TB 09643117230	Blatt/ Page 1 / 1
36283	12/01/12	SD	Stand.					
33271	28/11/05	JMDR	HARTING EURL F-95972 Paris				Sub.	
31058	8-JUL-02	CV						
Mod.	Dat.	Name						