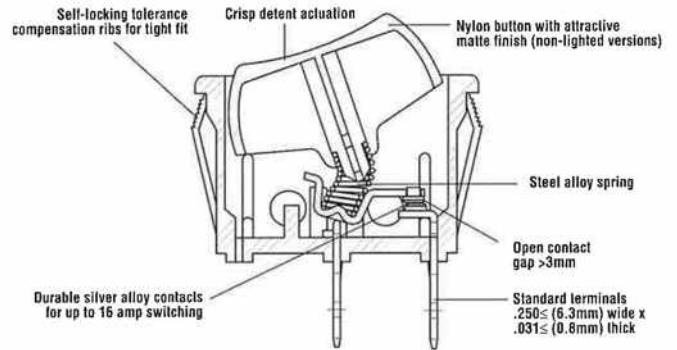


Single-Pole Rocker Switch TR Series



Features

- 16A switching in 1mm wide package
- Lighted and non-lighted
- Maintained action and momentary
- Mechanical life: min. 10,000 operations

Electrical Ratings				
Switch Series	EN61058 Rating	UL1054 Rating	Electrical Life at Rated Load	
			According to VDE (Min. Operations)	According to UL (Min. Operations)
TR	16(4)A, 250V~, T85/55	16A, 125/250VAC; 1/4HP, 3/4HP 250VAC	10,000	6,000

Electrical Specifications		Material Specifications	
Ratings:	16A, 125/250VAC; 1/4HP; 3/4HP 250VAC (cULus) 16(4)A, 250V~ T85/55 (VDE)	Actuator (non-lighted):	Nylon 66 94V-2
Dielectric Strength:	1000VAC for 1 minute	(lighted):	Polycarbonate
Insulation Resistance:	100M ohms min at 500VDC	Base:	Nylon 66 94V-2
Initial Contact Resistance:	0.020 ohms max	Spring:	Steel Wire
Temperature Range:	-20°C to + 85°C VDE	Contacts:	Silver Alloy
		Movable Arm:	Silver-Plated Copper Alloy
		Terminals:	Tin-Plated Copper Alloy



RoHS Compliant
UL File No: E23301

Specifications subject to change without notice.



