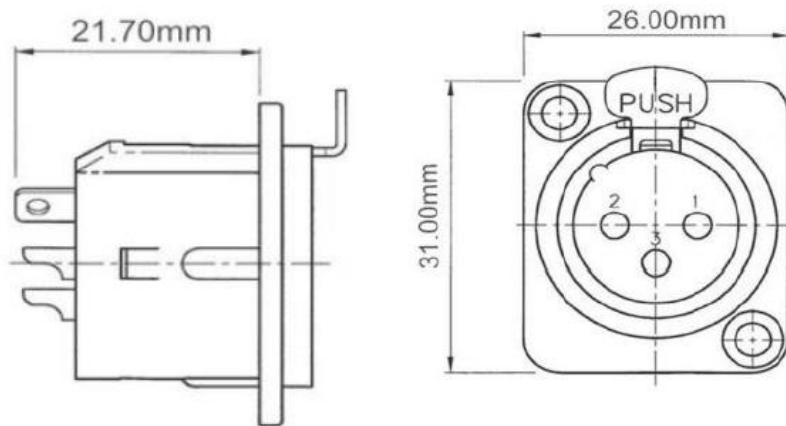


Data Sheet

Panel mount XLR connector, female, 3 pin



DATA SHEET	
ITEM NO.	XK051
DESCRIPTION	chassis XLR connector
COLOR	silver
SHELL MATERIAL	zinc diecast
TYPE	female, 3 pin