

155914-1  ACTIVE

FASTON | FASTON 250

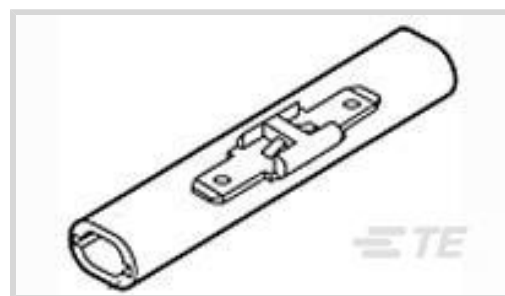
TE Internal #: 155914-1

FASTON 250, Splices, Splice, Splice, Splice Capacity 1, Brass, In-Line Splice, Splice Material Thickness .025 in [.66 mm]

[View on TE.com >](#)



Terminals & Splices > Splices



Splice Product Type: **Splice**

Terminal & Splice Type: **Splice**

Sealable: **No**

Splice Capacity: **1**

Splice Material: **Brass**

## Features

### Product Type Features

Splice Product Type	Splice
Sealable	No
Splice Type	In-Line Splice
Serrated	No
Splice Accessory Type	Splice
Insulated	Yes

### Configuration Features

Splice Capacity	1
-----------------	---

### Body Features

Weight per Piece	1 g
Plating Material	Unplated
Splice Material	Brass

### Contact Features

Terminal & Splice Type	Splice
------------------------	--------

### Housing Features

Housing Material	Polypropylene
------------------	---------------

### Dimensions

Splice Material Thickness	.66 mm[.025 in]
---------------------------	-----------------



Splice Overall Length	52.4 mm[2.062 in]
-----------------------	-------------------

### Usage Conditions

Insulation Requirement	Fully Insulated
------------------------	-----------------

### Operation/Application

Heavy Duty	No
------------	----

### Industry Standards

Government Qualified Splice	No
-----------------------------	----

### Packaging Features

Packaging Quantity	1000
--------------------	------

Splice Packaging Method	Loose Piece
-------------------------	-------------

### Product Compliance

[For compliance documentation, visit the product page on TE.com>](#)

EU RoHS Directive 2011/65/EU	Compliant
------------------------------	-----------

EU ELV Directive 2000/53/EC	Compliant
-----------------------------	-----------

China RoHS 2 Directive MIIT Order No 32, 2016	No Restricted Materials Above Threshold
---	---

EU REACH Regulation (EC) No. 1907/2006	Current ECHA Candidate List: JAN 2021 (211) Candidate List Declared Against: JAN 2021 (211) Does not contain REACH SVHC
--	---

Halogen Content	Low Halogen - Br, Cl, F, I < 900 ppm per homogenous material. Also BFR/CFR/PVC Free
-----------------	---

Solder Process Capability	Not applicable for solder process capability
---------------------------	--

#### Product Compliance Disclaimer

This information is provided based on reasonable inquiry of our suppliers and represents our current actual knowledge based on the information they provided. This information is subject to change. The part numbers that TE has identified as EU RoHS compliant have a maximum concentration of 0.1% by weight in homogenous materials for lead, hexavalent chromium, mercury, PBB, PBDE, DBP, BBP, DEHP, DIBP, and 0.01% for cadmium, or qualify for an exemption to these limits as defined in the Annexes of Directive 2011/65/EU (RoHS2). Finished electrical and electronic equipment products will be CE marked as required by Directive 2011/65/EU. Components may not be CE marked. Additionally, the part numbers that TE has identified as EU ELV compliant have a maximum concentration of 0.1% by weight in homogenous materials for lead, hexavalent chromium, and mercury, and 0.01% for cadmium, or qualify for an exemption to these limits as defined in the Annexes of Directive 2000/53/EC (ELV). Regarding the REACH Regulation, the information TE provides on SVHC in articles for this part number is based on the latest European Chemicals Agency (ECHA) 'Guidance on requirements for substances in articles' posted at this URL: <https://echa.europa.eu/guidance-documents/guidance-on-reach>

## Also in the Series | FASTON 250



Compression Connectors(4)



Crimp Terminal Housings(143)



Insertion & Extraction Tools(6)



Magnet Wire Terminals(1)



PCB Terminals(144)

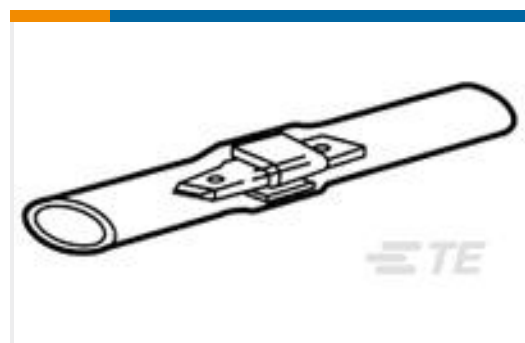


Quick Disconnects(466)



Splices(4)

## Customers Also Bought



TE Part #1-321235-1  
RECEPT, FASTON SPLICE 22-10



TE Part #172157-1  
2CIR MINI U-M-N-L CAP NATL



TE Part #172336-1  
2P MINI UMNL PLUG HOUSING



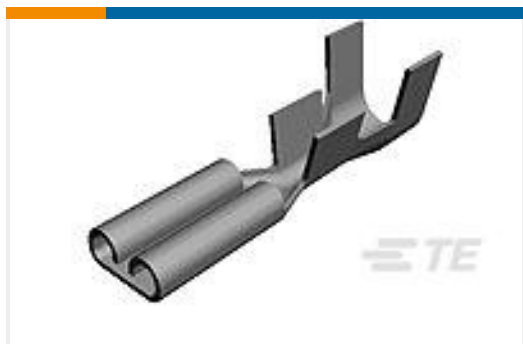
TE Part #180430-2  
250 FASTON, FLAG, REC., 20-16 AWG, TPBR



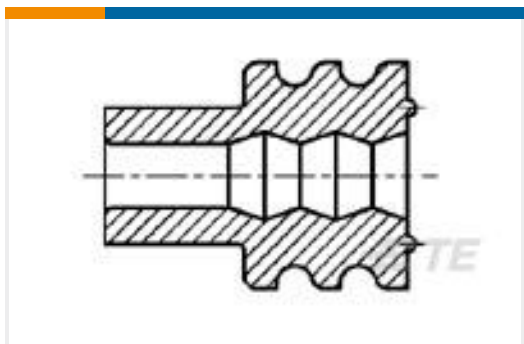
TE Part #170362-1  
UNIV M-N-L SOC. 22-18 AWG



TE Part #170360-1  
UNIV M-N-L PIN 22-18 AWG



TE Part #160534-1  
110 FASTON, REC., 17-20 AWG, BR



TE Part #963292-1  
WIRE SEALING 2,2



TE Part #1-342756-0  
6 WAY POS. MATE RECEPT. HSG.W



TE Part #1-1768019-8  
EET-5176P-8A



## Documents

### Product Drawings

[LINE SPL.CONN.250](#)

English

---

### CAD Files

Customer View Model

[ENG\\_CVM\\_155914-1\\_G.3d\\_igs.zip](#)

English

Customer View Model

[ENG\\_CVM\\_155914-1\\_G.3d\\_stp.zip](#)

English

Customer View Model

[ENG\\_CVM\\_155914-1\\_G.2d\\_dxf.zip](#)

English

### 3D PDF

English

By downloading the CAD file I accept and agree to the [Terms and Conditions](#) of use.

---

### Datasheets & Catalog Pages

[Digital Data Sheet](#)

English