

# Assembly and user instructions

## Platform ladder movable



55103 - 55108  
56103 - 56108  
58103 - 58108

50102 - 50108  
51102 - 51108  
54102 - 54108

50203 - 50208  
51203 - 51208  
59203 - 59208

# Content

|   |    |
|---|----|
| Introduction .....  | 3  |
| Warranty and liability .....  | 3  |
| Conversions and modifications .....                                       | 3  |
| Copyright.....  | 3  |
| Intended use .....  | 4  |
| Technical data .....  | 4  |
| Check the scope of delivery .....   | 6  |
| Assembly .....  | 7  |
| Montage of optinal handrails - see associated assembly instructions ..... | 11 |
| Transport, Storage .....  | 12 |
| Safety notes.....   | 12 |
| Safety marking.....   | 12 |
| Symbols used:.....  | 12 |
| Additional symbols and minimum requirements for platform ladders. ....    | 14 |
| Repair and maintenance .....  | 14 |
| Cleaning .....  | 14 |
| Maintenance .....   | 14 |
| Repair .....  | 15 |
| Disposal .....  | 15 |
| Check/inspection sheet for all ladder types .....                         | 16 |
| Notes .....   | 19 |



## WARNING

The warning indicates a hazard with a medium level of risk, which, if not avoided, may result in death or serious injury.



## NOTICE

Notice stands for requirements and important information which must be particularly observed.

## Introduction

These instructions contain important information on the safe and proper handling of the ladder. Observing the operating instructions helps to avoid hazards as well as to increase



### HINWEIS

Anleitung beachten! Jede Person, die Arbeiten mit oder an dem Produkt durchführt, muss die Anleitung vor der Verwendung gelesen und verstanden haben.

the service life of the ladder.

In case of any queries or doubts, please refer to a dealer or to the manufacturer directly.

## Warranty and liability

The scope, period and format of the warranty are laid out in the conditions of sale and delivery from MUNK GmbH.

In the case of warranty claims, the operating instructions applicable at the time of delivery are binding.

Beyond the conditions of sale and delivery, the following applies.

No liability is assumed for personal injury or property damage resulting from one or more of the following:

- Improper use
- Lack of knowledge of or non-observance of the operating instructions
- Incorrect assembly and use of the product
- Incorrectly performed repairs
- Use of anything other than original spare parts
- Use of ladders with defective components
- Inadequately qualified or insufficient assembly and operating personnel
- Unauthorised structural modifications
- Catastrophes caused by external influences or force majeure

It is the sole responsibility of the operator to ensure that the safety conditions are complied with and intended use is ensured.

MUNK GmbH

Günzburg, 21.02.2022

## Conversions and modifications

In compliance with the legal requirements of the Ordinance on Safety and Health (BetrSichV), persons with sufficient technical knowledge and skills can carry out minor repair work on ladders and steps.

Major repair work should be carried out by authorised specialist companies or the manufacturer.

## Copyright

These instructions apply to all ladders whose material numbers are listed on the title page.  
©2022 MUNK GmbH

All rights to this document are reserved by MUNK GmbH. This document may not be copied, reproduced or translated in whole or in part without the written permission of MUNK GmbH.

The document is intended for the user of the product described and may only be passed on to the purchaser if the ladder is resold.

Subject to technical modifications and errors. No claims to specific properties of the product can be derived from the contents of these operating instructions.

## Intended use

MUNK GmbH ladders comply with the DIN EN 131 series of standards.

Ladders that have been tested and certified for safety by an independent testing institute can be recognised by the seal of approval.

Only use the ladder under the conditions described in these operating instructions. Any other use is considered improper.

### Ladders for professional use

The use of ladders as high-level workplaces is only permitted in cases where, because of the low level of risk and because the duration of use is short, the use of other safe work equipment is not appropriate and the risk assessment has established that the work can be carried out safely.



### NOTICE

#### DGUV Guideline

The guideline for the use of ladders and steps (DGUV-I 208-016) lists the regulations of the German Work Safety Act, the Ordinance on Safety and Health (BetrSichV), the regulations of the employer's liability insurance association and the relevant standards that must be taken into account when providing and using ladders and steps.

As an implementation of the EU Work Equipment Directive, the BetrSichV stipulates a periodic inspection of work equipment, e.g. ladders, by a person qualified to carry out the inspection.

## Technical data

All ladders listed correspond to the „professional use“ ladder class as per DIN EN 131-2:2017.

The max. load capacity of all the ladders listed in these instruction is 150 kg.

| Platform stairs, single-sides access, spring-loaded castors, grooved aluminium |       |       |       |       |       |       |       |
|--|-------|-------|-------|-------|-------|-------|-------|
| Article number   | 50102 | 50103 | 50104 | 50105 | 50106 | 50107 | 50108 |
| Work height [m]  | 2,48  | 2,70  | 3,00  | 3,20  | 3,50  | 3,70  | 3,90  |
| Platform height [m]  | 0,48  | 0,72  | 0,96  | 1,20  | 1,44  | 1,68  | 1,92  |
| Step quantity, incl. platform  | 2     | 3     | 4     | 5     | 6     | 7     | 8     |
| Approx. weight [kg]  | 27,0  | 30,0  | 32,0  | 35,0  | 38,0  | 43,0  | 47,0  |

| Platform stairs, single-sides access, spring-loaded castors, steel grating |       |       |       |       |       |       |       |
|--|-------|-------|-------|-------|-------|-------|-------|
| Article number   | 51102 | 51103 | 51104 | 51105 | 51106 | 51107 | 51108 |
| Work height [m]  | 2,48  | 2,70  | 3,00  | 3,20  | 3,50  | 3,70  | 3,90  |
| Platform height [m]  | 0,48  | 0,72  | 0,96  | 1,20  | 1,44  | 1,68  | 1,92  |
| Step quantity, incl. platform  | 2     | 3     | 4     | 5     | 6     | 7     | 8     |

| <b>Platform stairs, single-sides access, spring-loaded castors, steel grating</b> |      |      |      |      |      |      |      |
|---|------|------|------|------|------|------|------|
| Approx. weight [kg]   | 32,0 | 37,0 | 41,0 | 46,0 | 52,0 | 57,0 | 63,0 |

| <b>Platform stairs, single-sides access, spring-loaded castors, R13</b> |              |             |              |              |              |              |              |
|---|--------------|-------------|--------------|--------------|--------------|--------------|--------------|
| <b>Article number</b>   | <b>54102</b> | <b>5103</b> | <b>54104</b> | <b>54105</b> | <b>54106</b> | <b>54107</b> | <b>54108</b> |
| Work height [m]   | 2,48         | 2,70        | 3,00         | 3,20         | 3,50         | 3,70         | 3,90         |
| Platform height [m]   | 0,48         | 0,72        | 0,96         | 1,20         | 1,44         | 1,68         | 1,92         |
| Step quantity, incl. platform   | 2            | 3           | 4            | 5            | 6            | 7            | 8            |
| Approx. weight [kg]   | 27,0         | 30,0        | 32,0         | 35,0         | 38,0         | 43,0         | 47,0         |

| <b>Platform stairs, single-sides access, castors, handles, grooved aluminium</b> |              |              |              |              |              |              |
|--|--------------|--------------|--------------|--------------|--------------|--------------|
| <b>Article number</b>  | <b>56103</b> | <b>56104</b> | <b>56105</b> | <b>56106</b> | <b>56107</b> | <b>56108</b> |
| Work height [m]  | 2,70         | 3,00         | 3,20         | 3,50         | 3,70         | 3,90         |
| Platform height [m]  | 0,72         | 0,96         | 1,20         | 1,44         | 1,68         | 1,92         |
| Step quantity, incl. platform  | 3            | 4            | 5            | 6            | 7            | 8            |
| Approx. weight [kg]  | 30,0         | 32,0         | 35,0         | 38,0         | 43,0         | 47,0         |

| <b>Platform stairs, single-sides access, castors, handles, steel grating</b> |              |              |              |              |              |              |
|--|--------------|--------------|--------------|--------------|--------------|--------------|
| <b>Article number</b>  | <b>58103</b> | <b>58104</b> | <b>58105</b> | <b>58106</b> | <b>58107</b> | <b>58108</b> |
| Work height [m]  | 2,70         | 3,00         | 3,20         | 3,50         | 3,70         | 3,90         |
| Platform height [m]  | 0,72         | 0,96         | 1,20         | 1,44         | 1,68         | 1,92         |
| Step quantity, incl. platform  | 3            | 4            | 5            | 6            | 7            | 8            |
| Approx. weight [kg]  | 37,0         | 41,0         | 46,0         | 52,0         | 57,0         | 63,0         |

| <b>Platform stairs, single-sides access, castors, handles, R13</b> |              |              |              |              |              |              |
|--|--------------|--------------|--------------|--------------|--------------|--------------|
| <b>Article number</b>  | <b>55103</b> | <b>55104</b> | <b>55105</b> | <b>55106</b> | <b>55107</b> | <b>55108</b> |
| Work height [m]  | 2,70         | 3,00         | 3,20         | 3,50         | 3,70         | 3,90         |
| Platform height [m]  | 0,72         | 0,96         | 1,20         | 1,44         | 1,68         | 1,92         |
| Step quantity, incl. platform                                      | 3            | 4            | 5            | 6            | 7            | 8            |
| Approx. weight [kg]  | 30,0         | 32,0         | 35,0         | 38,0         | 43,0         | 47,0         |

| <b>Platform stairs, double-sides access, spring-loaded castors, grooved aluminium</b> |              |              |              |              |              |              |
|---|--------------|--------------|--------------|--------------|--------------|--------------|
| <b>Article number</b>   | <b>50203</b> | <b>50204</b> | <b>50205</b> | <b>50206</b> | <b>50207</b> | <b>50208</b> |
| Work height [m]   | 2,70         | 3,00         | 3,20         | 3,50         | 3,70         | 3,90         |
| Platform height [m]   | 0,72         | 0,96         | 1,20         | 1,44         | 1,68         | 1,92         |

| Platform stairs, double-sides access, spring-loaded castors, grooved aluminium |      |      |      |      |      |      |
|--|------|------|------|------|------|------|
| Step quantity, incl. platform  | 3    | 4    | 5    | 6    | 7    | 8    |
| Approx. weight [kg]  | 30,0 | 34,0 | 39,0 | 44,0 | 49,0 | 55,0 |

| Platform stairs, double-sides access, spring-loaded castors, steel grating |              |              |              |              |              |              |
|--|--------------|--------------|--------------|--------------|--------------|--------------|
| <b>Article number</b>  | <b>51203</b> | <b>51204</b> | <b>51205</b> | <b>51206</b> | <b>51207</b> | <b>51208</b> |
| Work height [m]  | 2,70         | 3,00         | 3,20         | 3,50         | 3,70         | 3,90         |
| Platform height [m]  | 0,72         | 0,96         | 1,20         | 1,44         | 1,68         | 1,92         |
| Step quantity, incl. platform  | 3            | 4            | 5            | 6            | 7            | 8            |
| Approx. weight [kg]  | 40,0         | 47,0         | 55,0         | 63,0         | 72,0         | 82,0         |

| Platform stairs, double-sides access, spring-loaded castors, R13 |              |              |              |              |              |              |
|--|--------------|--------------|--------------|--------------|--------------|--------------|
| <b>Article number</b>  | <b>59203</b> | <b>59204</b> | <b>59205</b> | <b>59206</b> | <b>59207</b> | <b>59208</b> |
| Work height [m]  | 2,70         | 3,00         | 3,20         | 3,50         | 3,70         | 3,90         |
| Platform height [m]  | 0,72         | 0,96         | 1,20         | 1,44         | 1,68         | 1,92         |
| Step quantity, incl. platform                                    | 3            | 4            | 5            | 6            | 7            | 8            |
| Approx. weight [kg]  | 30,0         | 34,0         | 39,0         | 44,0         | 49,0         | 55,0         |

## Check the scope of delivery

The ladders are packed carefully before delivery.

- Check the delivery immediately for damage.
- Report any damage to the transport company immediately.
- Inform your dealer immediately if any parts are missing.
- The packaging is to be disposed of in accordance with applicable legislation and statutory regulations.

## Assembly

### Montage of optimal handrails - see associated assembly instructions



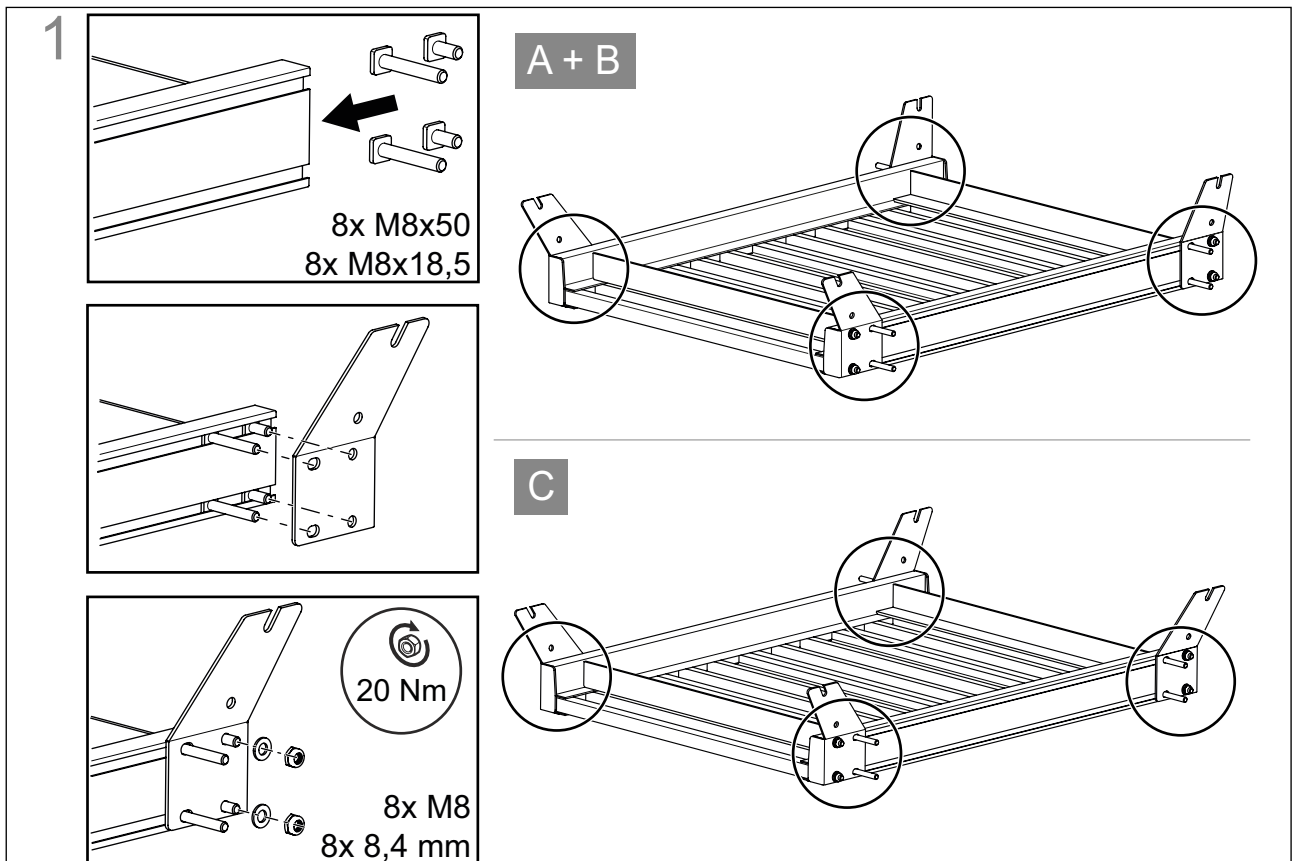
#### WARNING

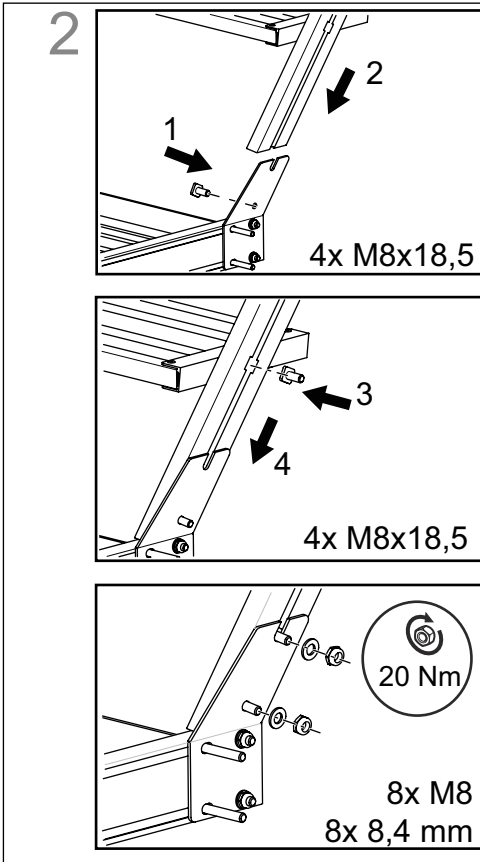
##### Danger of suffocation

The ladders and their packaging are not toys. There is a risk of suffocation when playing with the packaging.

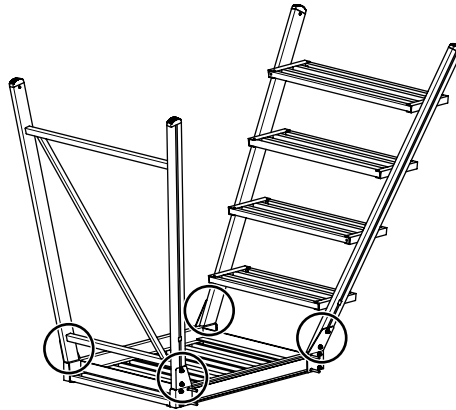
Keep the packaging away from children

## Transport, Storage

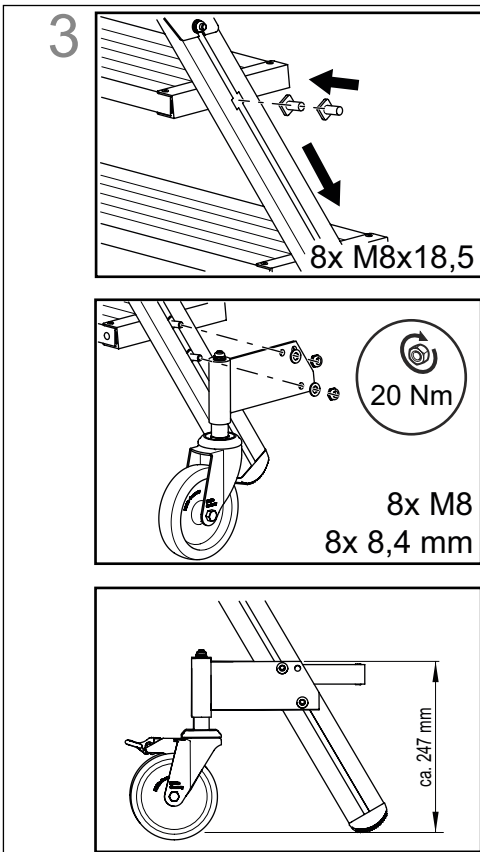




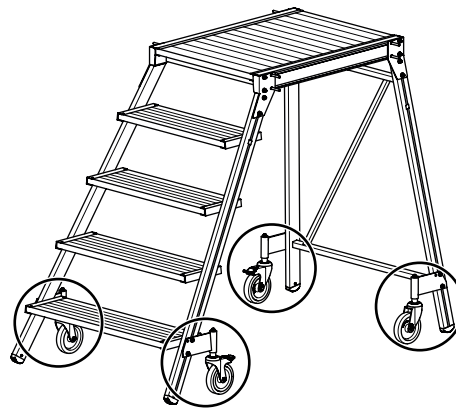
**A + B**



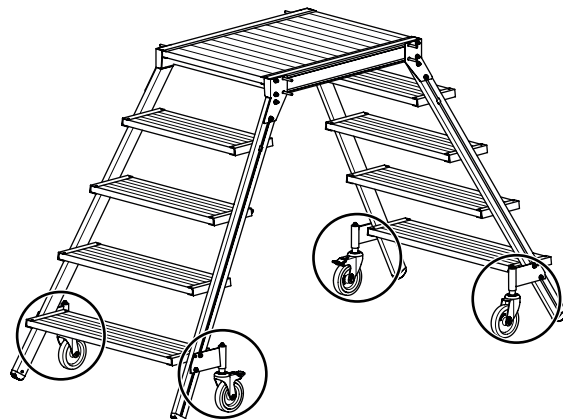
**C**



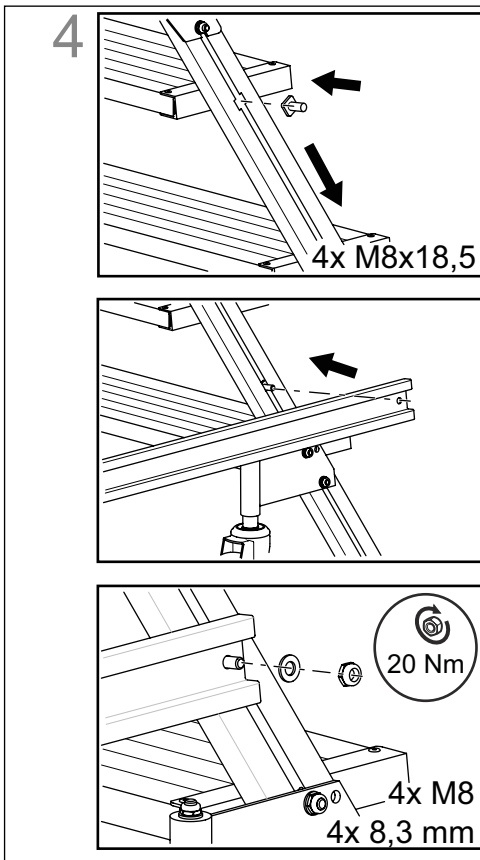
**B**



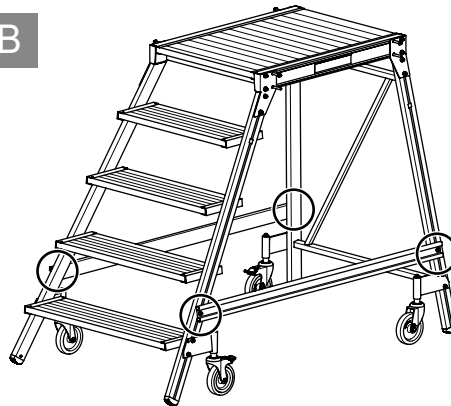
**C**



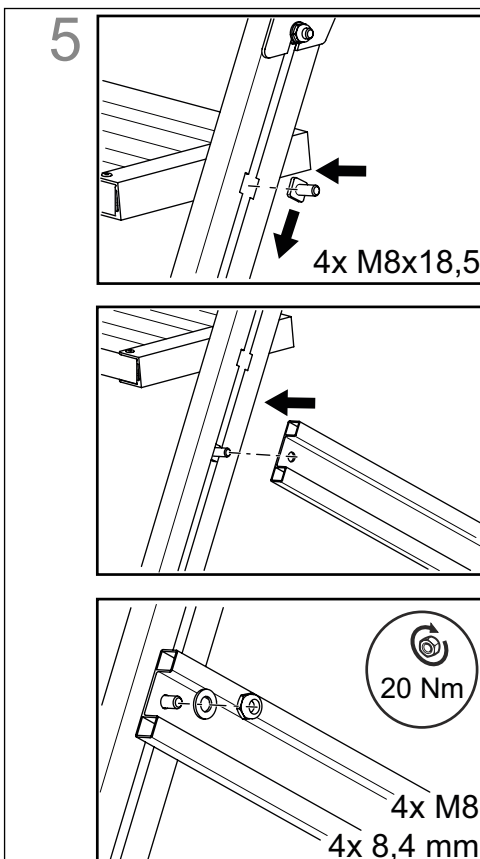
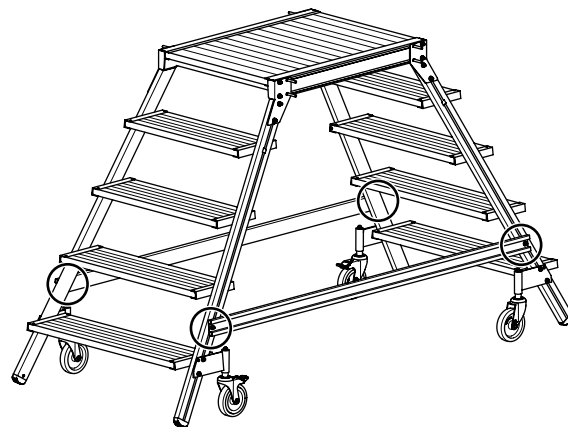




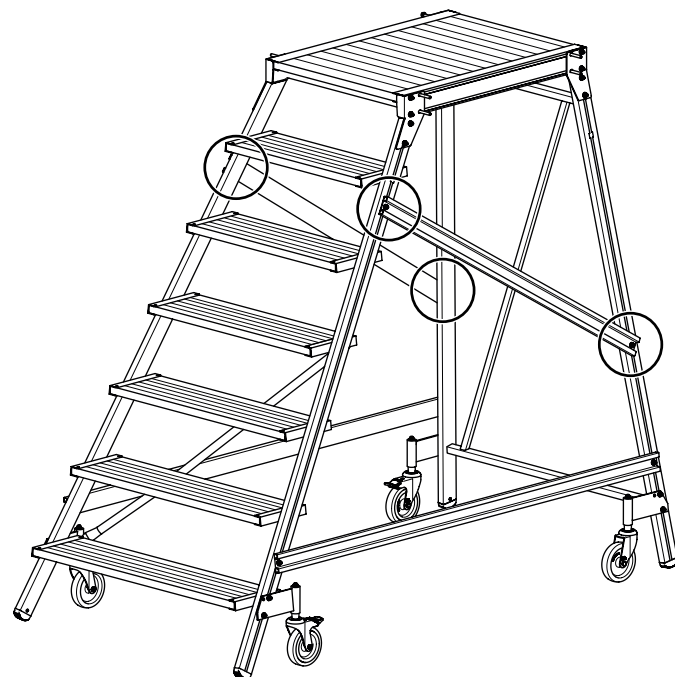
A + B

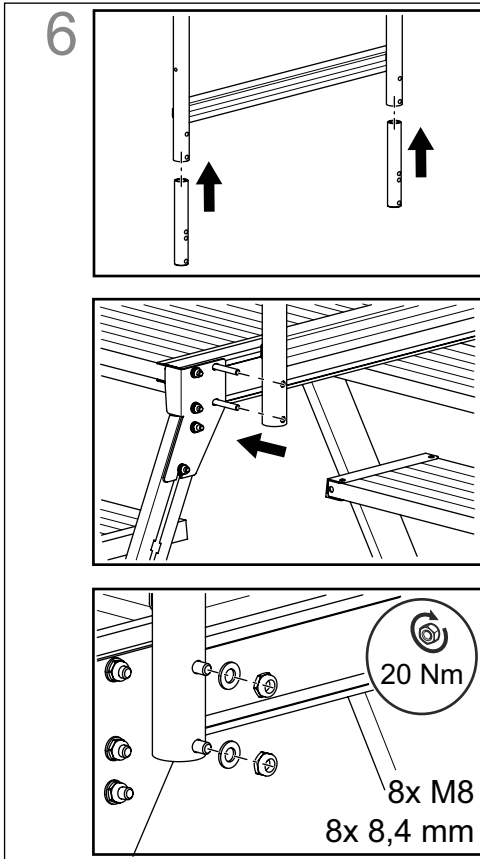


C

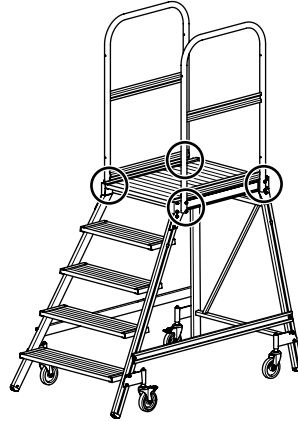


A + B, 7 or more steps

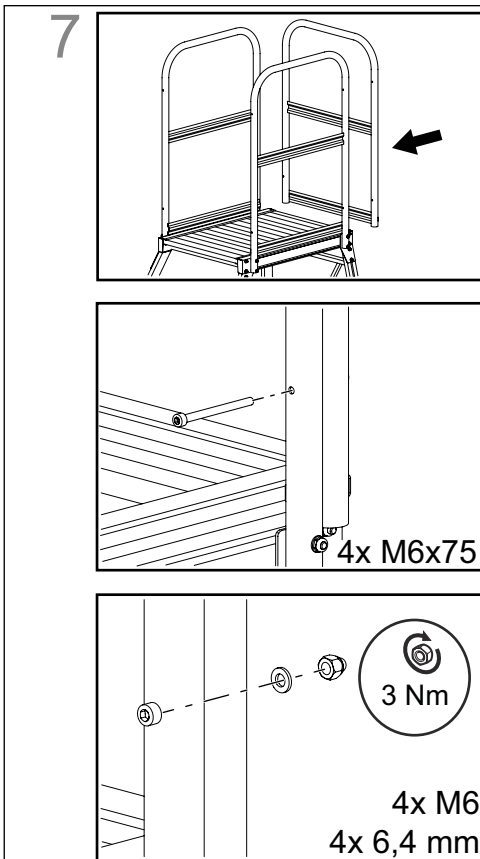
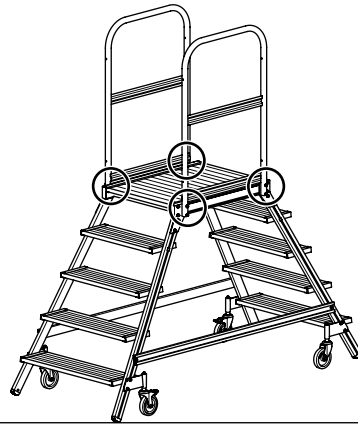




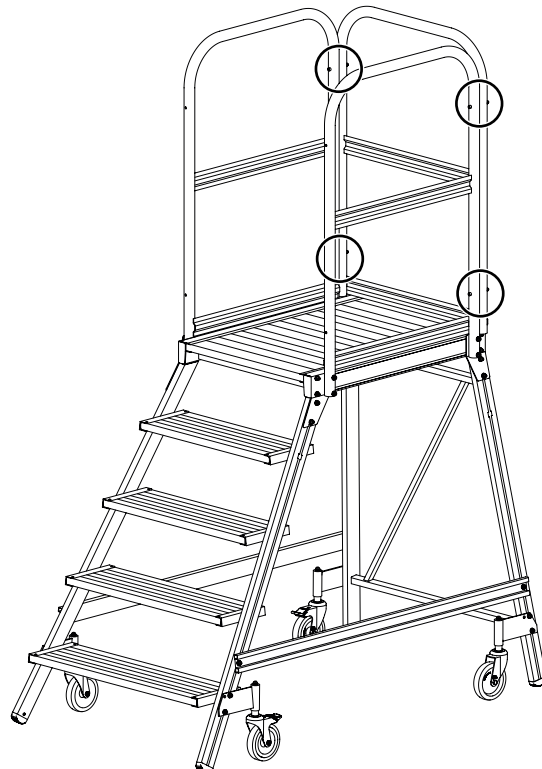
A + B



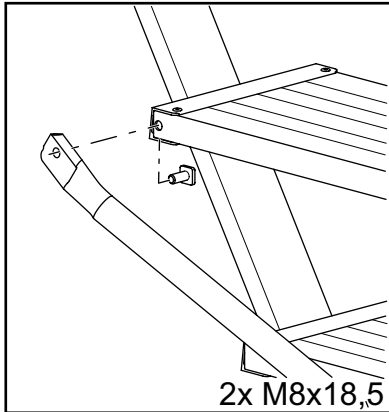
C



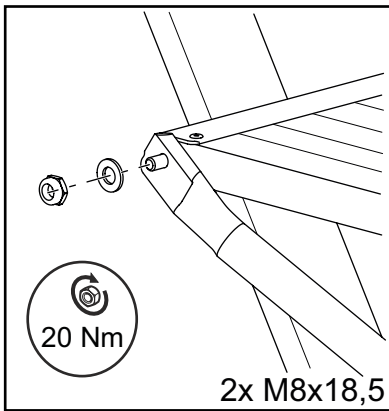
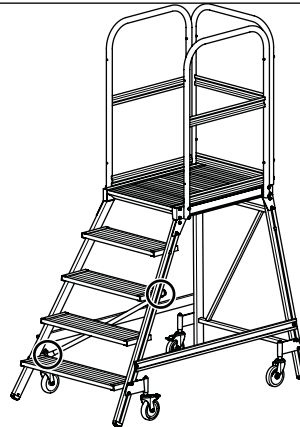
A + B



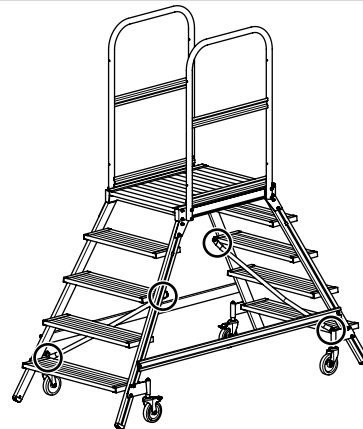
8



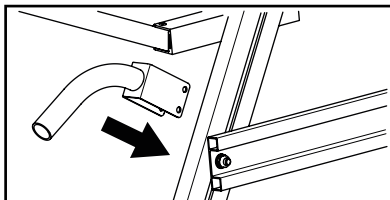
A + B



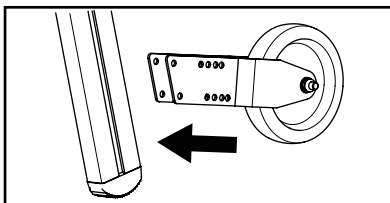
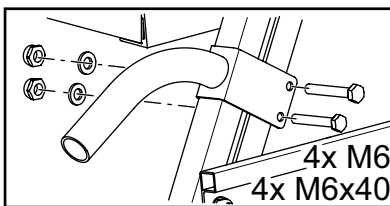
C



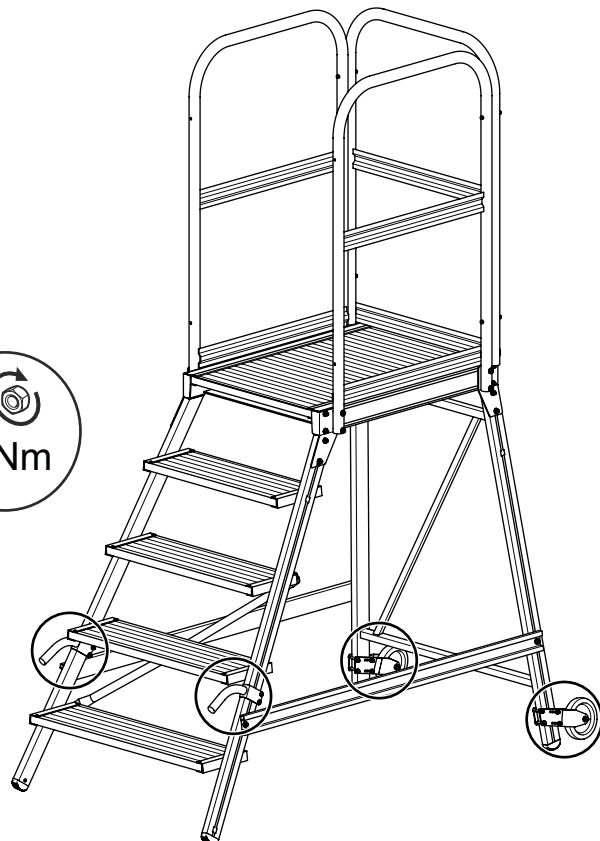
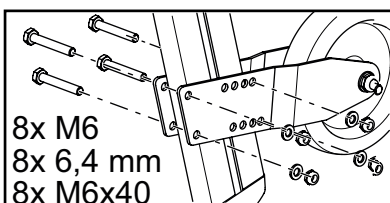
9



A



5 Nm



- During transport, make sure that the ladder is handled properly.
- Note the weight of the ladder.
- Do not endanger yourself or other persons during transport.
- To prevent damage and deformation, store ladders in a dry condition, shielded from direct sunlight and weather conditions on a flat, clean surface or on suitable ladder holders.
- Ladders made from thermoplastic, thermosetting plastic and reinforced plastic, or which contain these materials, should be stored out of direct sunlight (UV light).
- Ladders made from wood should be stored away in a dry location.
- Storage should be in locations where ladders cannot be damaged by vehicles, heavy objects or contaminants.
- During storage, make sure that the ladders do not pose a risk of tripping or an obstacle.
- Ladders should not be stored with easy accessibility to restrict their use for criminal purposes.

## Safety notes

### Safety marking



#### WARNING

##### **Danger of accidents**

Always consider possible risks when using the ladder. The ladder must be suitable for the intended use. Carry out any work with and on the ladder in such a way that the dangers are kept to a minimum.



#### WARNING

##### **Danger of accidents**

When ladders are set-up permanently, make sure that they are not being used by unauthorised persons (e.g. children).

In accordance with DIN EN 131-3, the use of different ladder types is to be explained with symbols. Below, we present the symbols and minimum requirements used by us for all ladder types with respect to their meaning

### Symbols used:



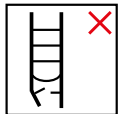




✓ = permitted / required action




✗ = not permitted / warning



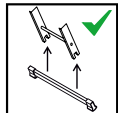
#### NOTICE

Before using the ladder, read the descriptions of the safety markings carefully. The symbols shown here may be attached to the ladders.




| Description  | Symbol  |
|--|---|
| 1 Warning, falling from the ladder.  |    |
| 2 Refer to instruction manual.   |    |
| 3 Inspect the ladder after delivery. Before every use visually check the ladder is not damaged and is safe to use. Do not use damaged ladders.                           |    |
| 4 Maximum total load.  |    |
| 5 Do not use the ladder on unlevel or unfirm base.   |   |
| 6 Do not overreach.  |  |
| 7 Do not erect ladders on contaminated ground.   |   |
| 8 Maximum number of users.   |  |
| 9 Do not ascend or descend unless you are facing the ladder  |   |
| 10 Keep a secure grip on the ladder when ascending and descending. Maintain a handhold whilst working from a ladder or take additional safety precautions if you cannot. |   |
| 11 Do not wear unsuitable footwear when climbing a ladder.   |   |
| 12 Avoid work that imposes a sideways load on ladders, such as side-on drilling through solid materials.   |   |
| 13 Do not carry equipment which is heavy or difficult to handle while using a ladder.  |   |




| Description   | Symbol   |
|---|--|
| 14 Do not use the ladder if you are not fit enough. Certain medical conditions or medication, alcohol or drug abuse could make ladder use unsafe.   |  |
| 15 Do not spend long periods on a ladder without regular breaks (tiredness is a risk).  |  |
| 16 Prevent damage of the ladder when transporting e.g. by fastening and, ensure they are suitably placed to prevent damage.   |  |
| 17 Ensure the ladder is suitable for the task.  |  |
| 18 Do not use the ladder if contaminated, e.g. with wet paint, mud, oil or snow.  |  |
| 19 Do not use the ladder outside in adverse weather conditions, such as strong wind.  |  |
| 20 For professional use a risk assessment shall be carried out respecting the legislation in the country of use.  |  |
| 21 When positioning the ladder take into account risk of collision with the ladder e.g. from pedestrians, vehicles or doors. Secure doors (not fire exits) and windows where possible in the work area. |  |
| 22 Identify any electrical risks in the work area, such as overhead lines or other exposed electrical equipment and do not use the ladder where electrical risks occur.                                 | <br> |
| 23 Do not use ladders as a bridge.  |   |

| Description                                   | Symbol |
|---|--------|
| 24 Do not modify the ladder design.           |        |
| 25 Do not move a ladder while standing on it. |        |

| Description   | Symbol  |
|---|---|
| 26 For outdoor use caution to the wind.                               |   |
| 27 Stabilizer bars must be attached to the ladder prior to first use. |  |

### Additional symbols and minimum requirements for platform ladders.

| Description   | Symbol   |
|---|--|
| 1 Do not step off the side of platform ladder onto another surface. |   |
| 2 Areas thus marked must not be entered.                            |   |
| 3 Use only with stabiliser (if part of ladder).                     |  |

| Description  | Symbol   |
|--|--|
| 4 Use only with ballast weight (if part of the ladder).                  |   |
| 5 Use only with brakes applied (if part of the ladder).                  |   |
| 6 Do not use ladders outdoors unless they are designed for that purpose. |  |

## Repair and maintenance

Depending on usage frequency and environmental influences, ladders must be serviced regularly. This involves cleaning, function checks of moving parts and, if necessary, lubricate.

### Cleaning

- If visibly dirty, clean the ladders, especially all moving parts, as soon as possible after use.
- Treat heavy soiling with warm water and commercially available cleaning agents, and dry down the ladders with a clean cloth.



#### NOTICE

Do not use cleansers containing solvents. Dispose of used cleaning agents in accordance with the applicable environmental protection regulations.

### Maintenance

Maintenance measures may only be carried out by skilled, commissioned and instructed employees or by other contractors with comparable qualifications who are suitable for carrying out the maintenance work.

- Make sure that rungs, steps, step pads or platforms are not covered in grease or oil, or become so. If this does occur, clean the affected areas immediately; e.g. with some spirit.
- Moving parts- such as hinges, lift locks, spring bolts, etc. - are to be treated with commercially available spray grease (e.g. HHS 2000) if required..
- Oil must not be used for lubrication.

## Repair

Carry out any repairs or replacements of parts in accordance with the manufacturer's specifications.

In the case of ladders used for professional purposes, maintenance and repair work must be inspected by a person qualified to carry out the inspection. This person must have acquired knowledge to carry out this work, e.g. by attending a training course provided by the manufacturer.

Only original parts from the manufacturer may be used as accessories and spare parts.

Contact the manufacturer or dealer for repairs and replacements of parts, e.g. feet. In case of doubt, have ladders repaired by specialist companies or the manufacturer.



### NOTICE

For notes on repairs, please refer to:

<https://www.steigtechnik.de/Downloads/Anleitungen/werkstattkarten-pdf>

## Paint finish for a wooden ladder

Ladders made from wood must not be covered with opaque or water vapour-tight paints.

## Disposal

- At the end of its service life, the ladders must be disposed of in accordance with statutory regulations.
- Since aluminium is a high-value material, this should be fed back into the recycling process.
- You can find detailed information on this matter from your local municipality.

## Check/inspection sheet for all ladder types

Check sheet for the checking of steps and ladders in accordance with BetrSichV, the directions for use for steps and ladders, DGUV information sheet 208-016 (formerly BGI 694).

The time intervals for the inspections are based in particular on frequency of use, load values during use, as well as the frequency and severity of the detected deficiencies of previous inspections.

The results of this inspection are to be recorded.

|                              |   |   |
|------------------------------|---|---|
| Inventory no.                | _____   |   |
| Location                     | _____   |   |
| Type of ladder               | <input type="checkbox"/> Leaning ladder<br><input type="checkbox"/> Rope-operated ladder<br><input type="checkbox"/> Platform ladder<br><input type="checkbox"/> Sectional ladder<br><input type="checkbox"/> Other | <input type="checkbox"/> Standing ladder<br><input type="checkbox"/> Combination ladder<br><input type="checkbox"/> Extending ladder<br><input type="checkbox"/> Step stool<br><input type="checkbox"/> _____ |
| Ladder material              | <input type="checkbox"/> Aluminium<br><input type="checkbox"/> Steel<br><input type="checkbox"/> Wood   | <input type="checkbox"/> Plastic<br><input type="checkbox"/> Stainless steel<br><input type="checkbox"/> Plastic / aluminium  |
| Ladder data                  | Ladder length/height  | _____   |
|                              | Number of rungs/steps   | _____   |
|                              | max. load   | _____   |
|                              | Fittings (e.g. EX-design)   | _____   |
|                              | Certification mark:<br>(GS-mark / type tested)  | <input type="checkbox"/> yes <input type="checkbox"/> no  |
| Data after a repair          | Ladder length/height  | _____   |
|                              | Number of rungs/steps   | _____   |
| Manufacture / supplier       | _____   |   |
| Order no.                    | _____   |   |
| Purchase date                | _____   |   |
| Inspection performed by      | _____   |   |
| Responsible persons informed | _____   |   |
| Comment:                     | _____   |   |
|                              | _____   |   |
|                              | _____   |   |



List of the minimum parts to be checked

| Inspection criteria   | 1st inspection |       | 2nd inspection |       | 3rd inspection |       |
|---|----------------|-------|----------------|-------|----------------|-------|
|   | OK             | n. OK | OK             | n. OK | OK             | n. OK |
| <b>Rungs / steps / platform</b>   |                |       |                |       |                |       |
| Deformation   |                |       |                |       |                |       |
| Damage (e.g. cracks) / corrosion  |                |       |                |       |                |       |
| Connections and completeness  |                |       |                |       |                |       |
| Wear (platform covering, tread surface)   |                |       |                |       |                |       |
| Sharp edges / splinters / burrs   |                |       |                |       |                |       |
| <b>Stile/legs</b>   |                |       |                |       |                |       |
| Deformation   |                |       |                |       |                |       |
| Damage (e.g. cracks) / corrosion  |                |       |                |       |                |       |
| Sharp edges / splinters / burrs   |                |       |                |       |                |       |
| Wear  |                |       |                |       |                |       |
| Protective coatings   |                |       |                |       |                |       |
| <b>Fittings / joints / locks / connecting elements / rung hooks / rivets / screws / bolts</b> |                |       |                |       |                |       |
| Completeness / fixing   |                |       |                |       |                |       |
| Damage (e.g. cracks) / corrosion  |                |       |                |       |                |       |
| Wear  |                |       |                |       |                |       |
| Firm fitting  |                |       |                |       |                |       |
| Functionality   |                |       |                |       |                |       |
| Lubrication (mechanical Parts)  |                |       |                |       |                |       |
| <b>Ladder feet / rollers / end caps</b>   |                |       |                |       |                |       |
| Firm fitting of the fixing / completeness   |                |       |                |       |                |       |
| Wear / damage   |                |       |                |       |                |       |
| Functionality   |                |       |                |       |                |       |
| Corrosion   |                |       |                |       |                |       |
| <b>Opening restraint device / lock</b>  |                |       |                |       |                |       |
| Fixing / completeness   |                |       |                |       |                |       |
| Damage  |                |       |                |       |                |       |
| Corrosion   |                |       |                |       |                |       |
| Functionality in horizontal position  |                |       |                |       |                |       |

|   | 1st inspection |       | 2nd inspection |       | 3rd inspection |       |
|---|----------------|-------|----------------|-------|----------------|-------|
| Inspection criteria   | OK             | n. OK | OK             | n. OK | OK             | n. OK |
| <b>Accessories</b>  |                |       |                |       |                |       |
| Damage / deformation  |                |       |                |       |                |       |
| Functionality   |                |       |                |       |                |       |
| Corrosion   |                |       |                |       |                |       |
| Sharp edges / splinters / burrs                                   |                |       |                |       |                |       |
| <b>General</b>  |                |       |                |       |                |       |
| Ladders free of contaminants<br>(e.g. dirt, paint, oil or grease) |                |       |                |       |                |       |
| Marking present   |                |       |                |       |                |       |
| Operating instructions  |                |       |                |       |                |       |
| <b>Result</b>   |                |       |                |       |                |       |
| Ladder OK and ready for use                                       |                |       |                |       |                |       |
| Repair necessary  |                |       |                |       |                |       |
| Ladder blocked  |                |       |                |       |                |       |
| Ladder checked  | Date           |       |                |       |                |       |
|   | Name           |       |                |       |                |       |
|   | Signature      |       |                |       |                |       |
| Next inspection   | Date           |       |                |       |                |       |



## Sicherheit. Made in Germany.

Die MUNK Günzburger Steigtechnik ist eine Marke der MUNK Group und steht für Leitern, Rollgerüste und Sonderkonstruktionen in Premium-Qualität.



MUNK Günzburger Steigtechnik



MUNK Rettungstechnik



MUNK Service

MUNK GmbH | Rudolf-Diesel-Str. 23 | 89312 Günzburg  
Tel +49 (0) 82 21 / 36 16-01 | Fax +49 (0) 82 21 / 36 16-80 | [info@munk-group.com](mailto:info@munk-group.com)