



## Model Number

NCN50-FP-A2-P1

## Features

- Comfort series
- 50 mm non-flush

## Technical Data

### General specifications

Switching function		complementary
Output type		PNP
Rated operating distance	$s_n$	50 mm
Installation		non-flush
Output polarity		DC
Assured operating distance	$s_a$	0 ... 40.5 mm
Reduction factor $r_{AI}$		0.4
Reduction factor $r_{CU}$		0.3
Reduction factor $r_{304}$		0.85
Output type		4-wire

### Nominal ratings

Operating voltage	$U_B$	10 ... 60 V
Switching frequency	$f$	0 ... 80 Hz
Hysteresis	$H$	typ. 3 %
Reverse polarity protection		reverse polarity protected
Short-circuit protection		pulsing
Voltage drop	$U_d$	$\leq 3$ V
Operating current	$I_L$	0 ... 200 mA
Off-state current	$I_r$	0 ... 0.5 mA
No-load supply current	$I_0$	$\leq 20$ mA
Time delay before availability	$t_v$	$\leq 300$ ms
Operating voltage indicator		LED, green
Switching state indicator		LED, yellow

### Functional safety related parameters

MTTF <sub>d</sub>	671 a
Mission Time (T <sub>M</sub> )	20 a
Diagnostic Coverage (DC)	0 %

### Ambient conditions

Ambient temperature	-25 ... 70 °C (-13 ... 158 °F)
---------------------	--------------------------------

### Mechanical specifications

Connection type	screw terminals
Information for connection	A maximum of two conductors with the same core cross section may be mounted on one terminal connection! tightening torque 1.2 Nm + 10 %
Core cross-section	up to 2.5 mm <sup>2</sup>
Minimum core cross-section	without wire end ferrule 0.5 mm <sup>2</sup> , with connector sleeves 0.34 mm <sup>2</sup>
Maximum core cross-section	without wire end ferrule 2.5 mm <sup>2</sup> , with connector sleeves 1.5 mm <sup>2</sup>
Housing material	PBT
Sensing face	PBT
Housing base	PBT
Degree of protection	IP68
Mass	410 g

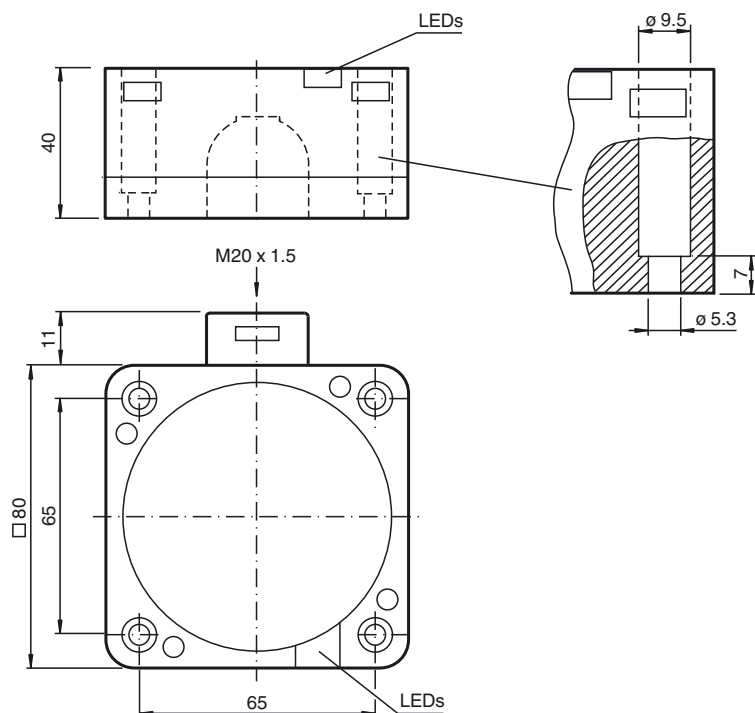
### Compliance with standards and directives

Standard conformity	
Standards	EN 60947-5-2:2007 IEC 60947-5-2:2007

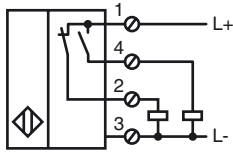
### Approvals and certificates

EAC conformity	TR CU 020/2011
UL approval	cULus Listed, General Purpose
CSA approval	cCSAus Listed, General Purpose
CCC approval	Certified by China Compulsory Certification (CCC)

## Dimensions



Electrical Connection



Release date: 2018-05-09 12:54 Date of issue: 2018-05-09 187587\_eng.xml