

**PLEASE CHECK WWW.MOLEX.COM FOR LATEST PART INFORMATION**

**Part Number:** [0503978002](#)  
**Status:** **Active**  
**Overview:** CP Wire-to-Board and Wire-to-Wire Connector Systems  
**Description:** CP-3.3 Wire-to-Board Crimp Terminal, Female, 26-28 AWG, Reel

**Documents:**

[Drawing \(PDF\)](#) [Datasheet \(PDF\)](#)  
[Product Specification 2122090000-PS-000 \(PDF\)](#) [RoHS Certificate of Compliance \(PDF\)](#)  
[Packaging Specification SPK-50397-001-001 \(PDF\)](#)

**General**

Product Family Crimp Terminals  
 Series [50397](#)  
 Application Power, Wire-to-Board  
 Crimp Quality Equipment Yes  
 Overview [CP Wire-to-Board and Wire-to-Wire Connector Systems](#)  
 Packaging Alternative [503978102 \(Bag\)](#)  
 Product Name CP-3.3  
 UPC 193264100118

**Physical**

Gender Female  
 Material - Metal Phosphor Bronze  
 Material - Plating Mating Tin  
 Material - Plating Termination Tin  
 Net Weight 97.000/mg  
 Packaging Type Reel  
 Plating min - Mating 0.914µm  
 Plating min - Termination 0.914µm  
 Termination Interface: Style Crimp or Compression  
 Wire Insulation Diameter 1.15-1.40mm  
 Wire Size AWG 26, 28  
 Wire Size mm<sup>2</sup> N/A

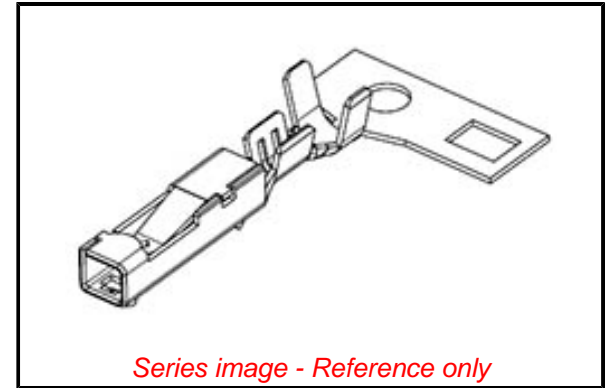
**Electrical**

Current - Maximum per Contact 8.5A  
 Voltage - Maximum 500V AC/DC

**Material Info**

**Reference - Drawing Numbers**

[Packaging Specification](#) [SPK-50397-001-001](#)  
[Product Specification](#) [2122090000-PS-000](#)  
[Sales Drawing](#) [503970001-SD-000](#)



Series image - Reference only

**EU ELV**

**Not Relevant**

**EU RoHS**

**Compliant**

**REACH SVHC**

Not Contained Per -  
 D(2020)9139-DC (19  
 Jan 2021)

**Halogen-Free**

**Status**

**Low-Halogen**

For more information, please visit [Contact US](#)

China ROHS

ELV

RoHS Phthalates

**China RoHS**

Green Image

Not Relevant

Not Contained

**Search Parts in this Series**

[50397 Series](#)

**Use With**

[CP-3.3 Receptacle Housing 212209](#)

**Application Tooling | FAQ**

*Tooling specifications and manuals are found by selecting the products below. Crimp Height Specifications are then contained in the Application Tooling Specification document.*

**Global**

**Description**

**Product #**

Extraction Tool for [638138600](#)  
 MTC (Multi Terminal  
 Connector) Female  
 Terminal, 14-18  
 AWG