

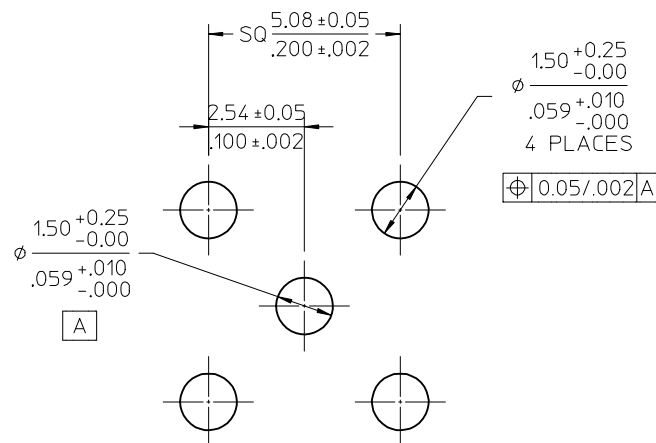
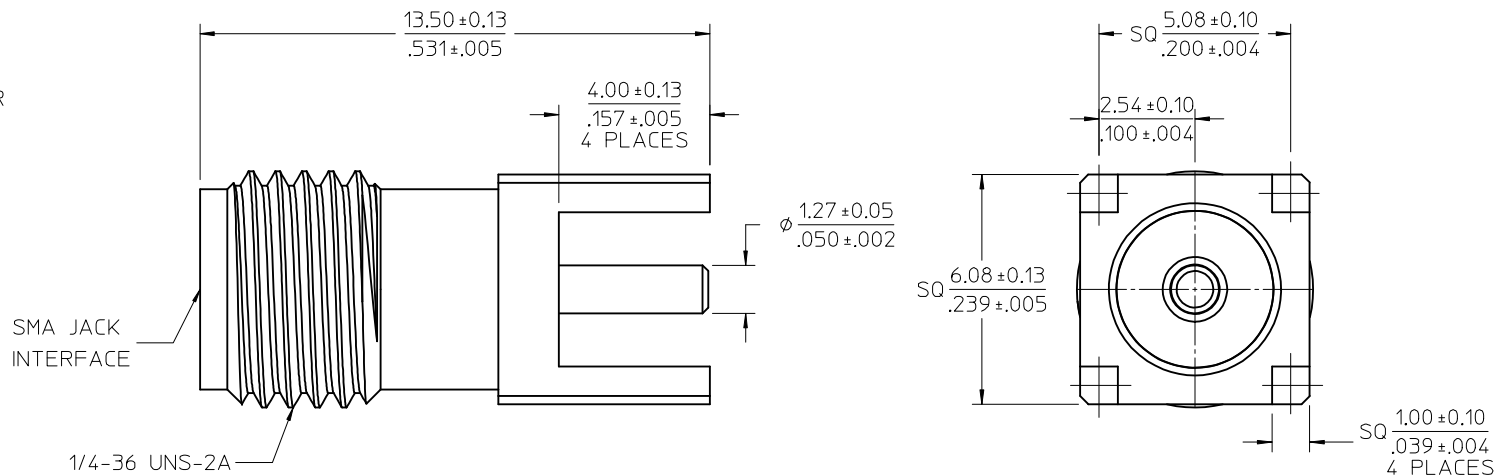
MATERIALS AND FINISHES

BODY BRASS  
PLATED GOLD

CENTER CONTACT BERYLLIUM COPPER  
PLATED GOLD

INSULATOR TEFLON

WILL WITHSTAND REFLOW  
TEMPERATURE OF  
265°C ± 5°C



73251-3141	73391-0060 BY TRAY 20 CAVITIES
73251-3140	73391-0060 SINGLE BAG
73391-0060	BY TRAY 80 CAVITIES
PART NO.	DESCRIPTION

PS-89675-3460	ELEC/MECH PERFORMANCE
SPECIFICATION	DESCRIPTION

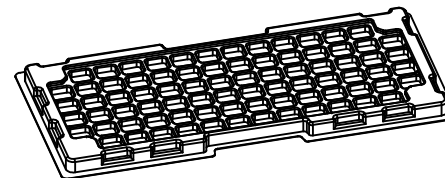
CHG: ADD PACKING SHEET TO 73391-0060 PER RF16-E109	EC NO: URF2017-0018	DRWR: YEH	CHKD: C7	APPR: YCHENG	DESCRIPTION	QUALITY SYMBOLS
2016/07/11	2016/07/14					

GENERAL TOLERANCES (UNLESS SPECIFIED)	
4 PLACES ±	±
3 PLACES ±	±
2 PLACES ±	±
1 PLACE ±	±
0 PLACE ±	±
ANGULAR ± 2 °	
DRAFT WHERE APPLICABLE MUST REMAIN WITHIN DIMENSIONS	

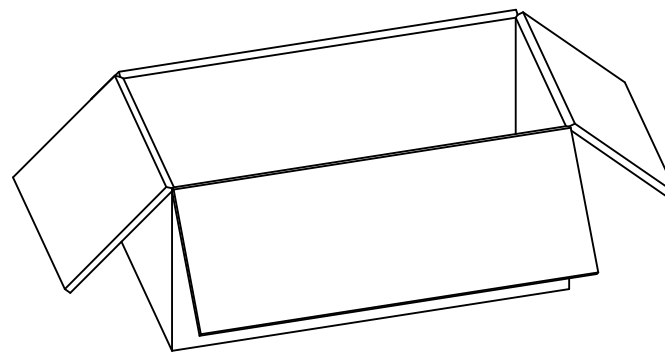
DIMENSION STYLE		SCALE	DESIGN UNITS	THIRD ANGLE PROJECTION
MM/IN		12:1	METRIC	
DRAWN BY	DATE	TITLE		
IRIS WANG	1997/5/30	SMA JACK STR		
CHECKED BY	DATE	PCB TH		
BEN LEE	1999/2/22	SMA-J/PCB		
APPROVED BY	DATE	molex		
MISEN	1999/2/22	DOCUMENT NO. SD-73391-0060		
MATERIAL NO.		SHEET NO. 1 OF 2		
SEE TABLE				
SIZE	THIS DRAWING CONTAINS INFORMATION THAT IS PROPRIETARY TO MOLEX. INCORPORATED AND SHOULD NOT BE USED WITHOUT WRITTEN PERMISSION			
C				



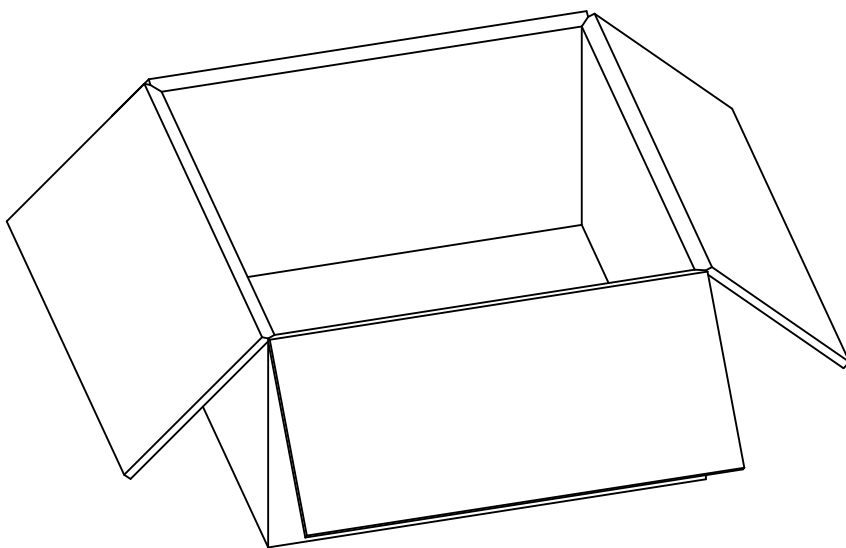
P/N: 73391-0060



80 SETS PER TRAY  
P/N: 89707-0190



1600 SETS PER INNER  
CARTON BOX  
P/N: 96707-0001



3200 SETS PER OUTER  
CARTON BOX  
P/N: 96708-0005

CHG:SEE SHEET 1  
 EC NO: URF2017-0018  
 DRAWN:YEH 2016/07/11  
 CHKD:  
 APPR:YCHENG 2016/07/14

REV	DESCRIPTION
7	
6	
5	
4	
3	
2	
1	

QUALITY SYMBOLS	
	=0
	=0
	=0

GENERAL TOLERANCES (UNLESS SPECIFIED)	
	mm
	INCH
4 PLACES	± --- ± ---
3 PLACES	± --- ± ---
2 PLACES	± --- ± ---
1 PLACE	± --- ± ---
0 PLACE	± ±
ANGULAR ± 2 °	
DRAFT WHERE APPLICABLE MUST REMAIN WITHIN DIMENSIONS	

DIMENSION STYLE	
MM/IN	
DRAWN BY	IRIS WANG
DATE	1997/5/30
CHECKED BY	
DATE	
APPROVED BY	BEN LEE
DATE	1999/2/22
	MISEN
	1999/2/22

SCALE	DESIGN UNITS	THIRD ANGLE PROJECTION
1.5:1	METRIC	
TITLE		
SMA JACK STR PCB TH SMA-J/PCB		
<b>molex</b>		
MATERIAL NO.	DOCUMENT NO.	SHEET NO.
SEE TABLE	SD-73391-0060	2 OF 2
THIS DRAWING CONTAINS INFORMATION THAT IS PROPRIETARY TO MOLEX INCORPORATED AND SHOULD NOT BE USED WITHOUT WRITTEN PERMISSION		