

# 61 Accessories



## Lamp remover

| Product attributes                                   | Material | Part No.  |
|--|----------|-----------|
| A switching action may occur when replacing the lamp | plastic  | 61-9740.0 |



## Mounting adapter

| Material | Part No. |
|----------|----------|
| Plastic  | 61-9904  |



## Mounting tool

| Product attributes                                    | Dimensions | Material | Part No. |
|---|------------|----------|----------|
| For tightening or loosening of the fixing nut Ø 16 mm | Ø 16 mm    | metal    | 01-907   |

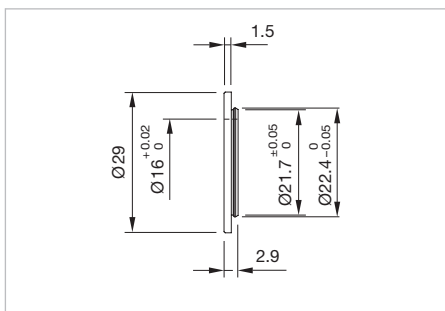


## Reducing ring

| Material  | Mounting cut-out | Part No. |
|-----------|------------------|----------|
| aluminium | Ø 22.3 mm        | 61-9960  |

### Additional information

- Only for use of devices with front size 24 x 24 mm and Ø 24 mm, mounting cut-out Ø 22.3 mm to Ø 16.2 mm, without keylock- and selector switch



Dimensions [mm]



## Tool set

| Material        | Part No.    |
|-----------------|-------------|
| metal / plastic | K61-999.100 |

### Additional information

- Consists of lens remover, lamp- and LED remover, mounting tool and dismantling tool