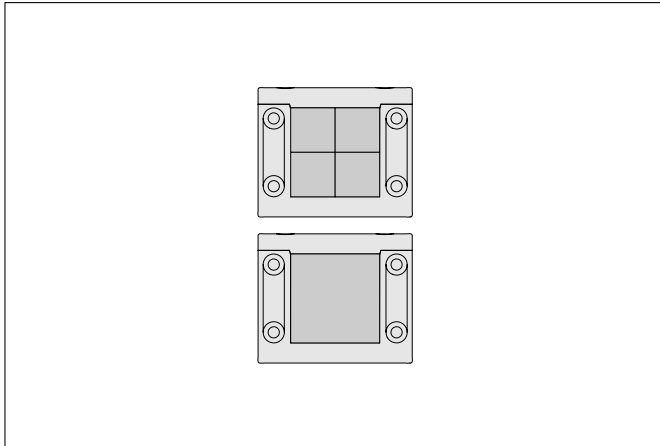
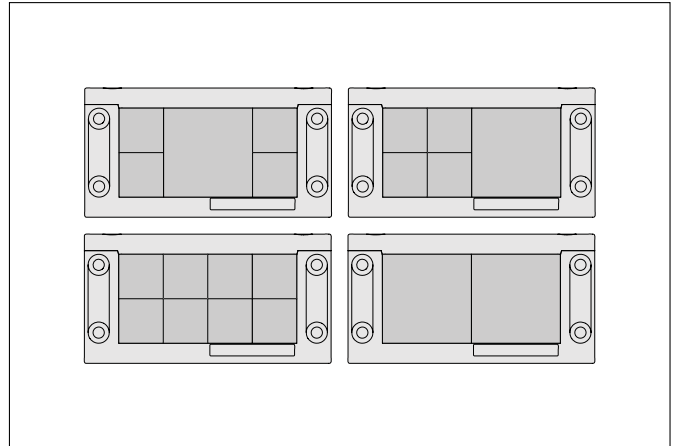


1 VarioPlate

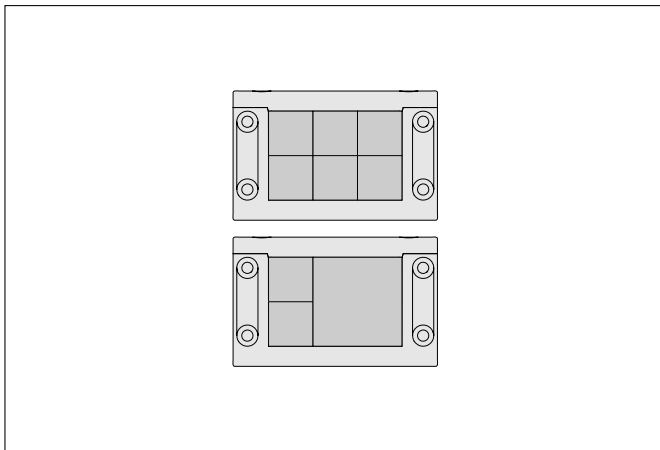
1.1 VarioPlate 4



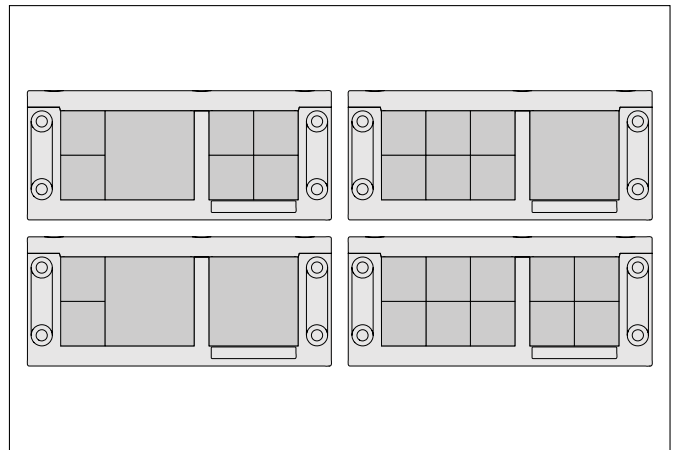
1.3 VarioPlate 16



1.2 VarioPlate 10

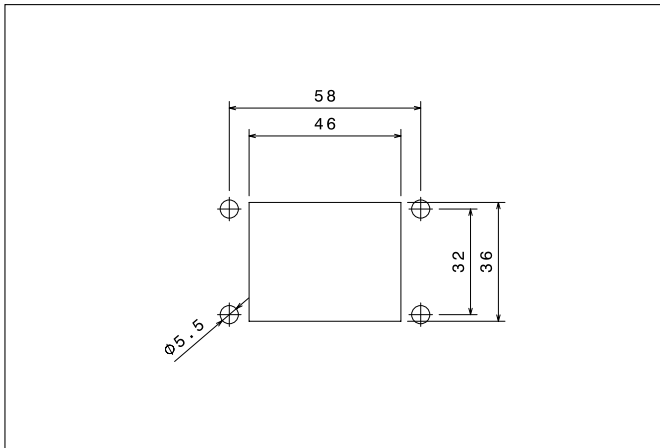


1.4 VarioPlate 24

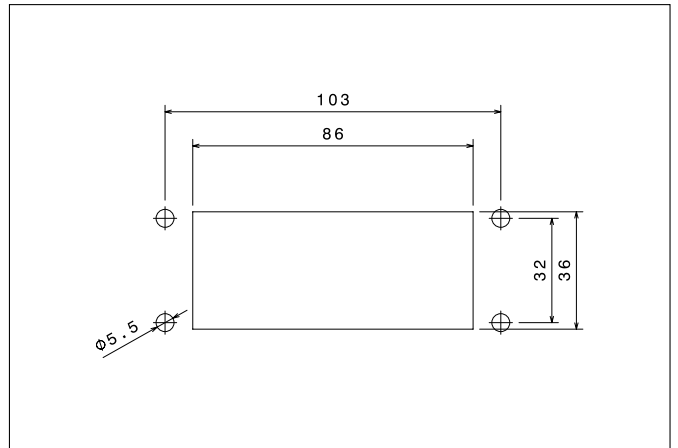


2 Cutout dimensions/Drilling pattern

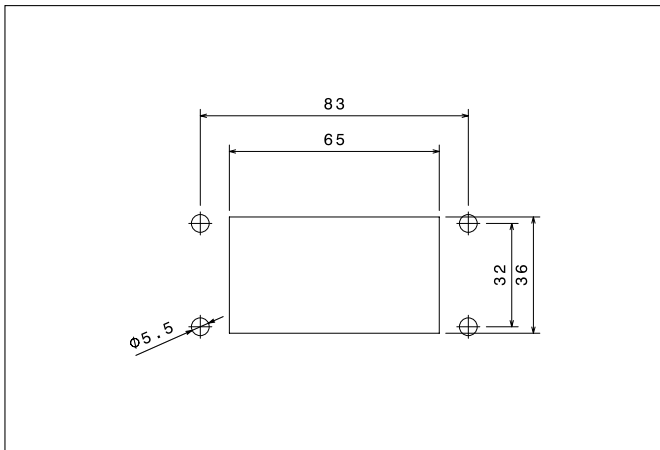
2.1 VarioPlate 4



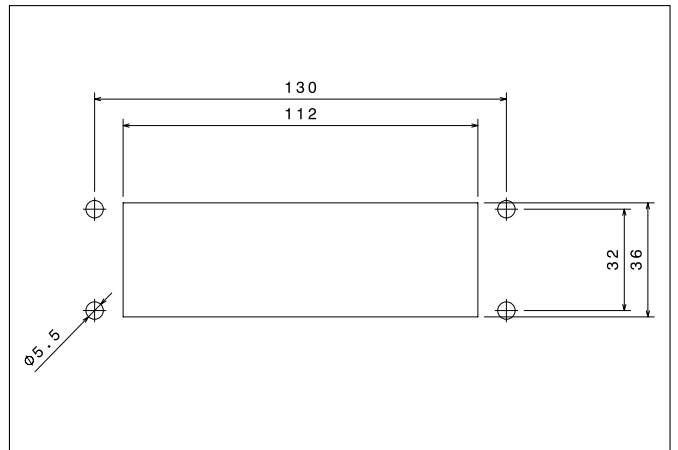
2.3 VarioPlate 16



2.2 VarioPlate 10



2.4 VarioPlate 24



EN

DE

FR

ES

PT

IT

NL

DK

NO

SE

FI

PL

CZ

HU

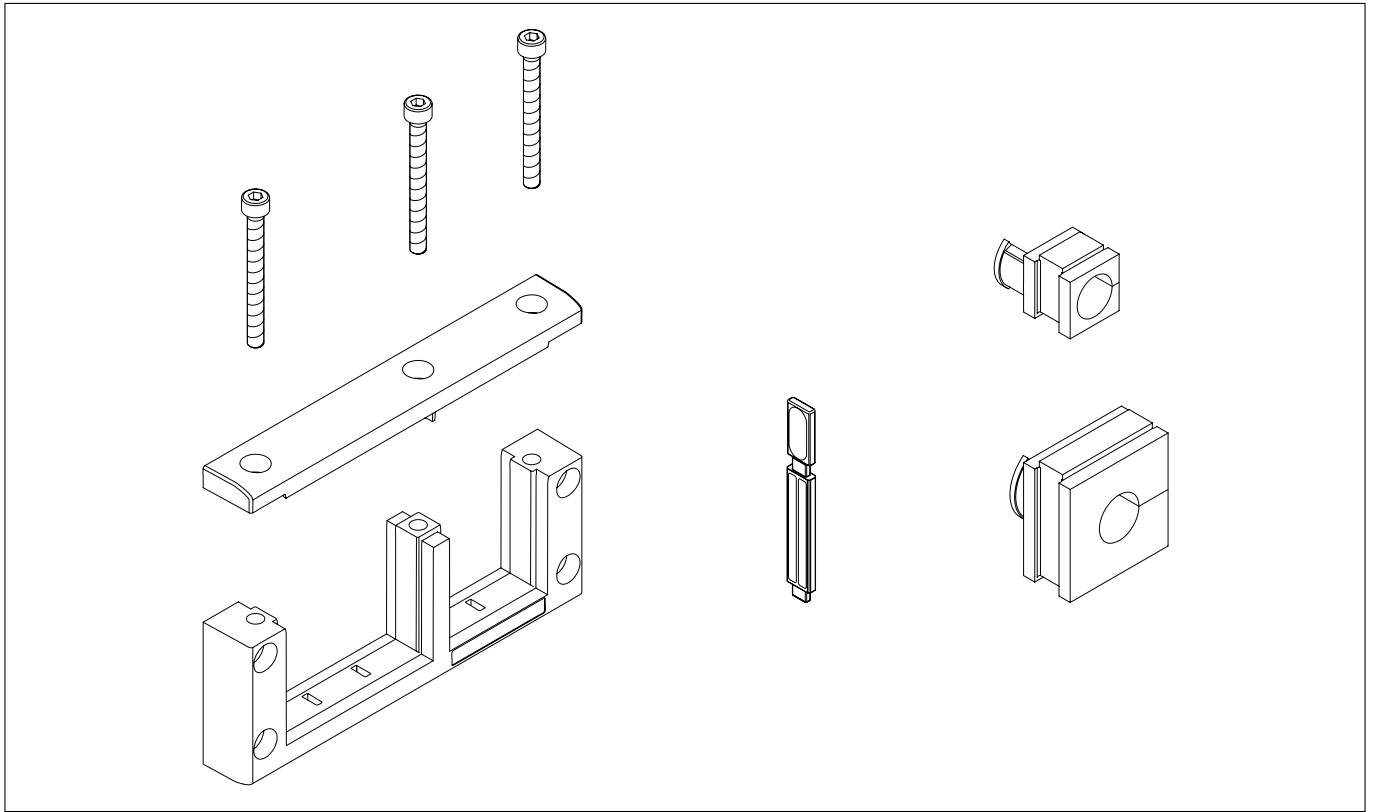
SI

RO

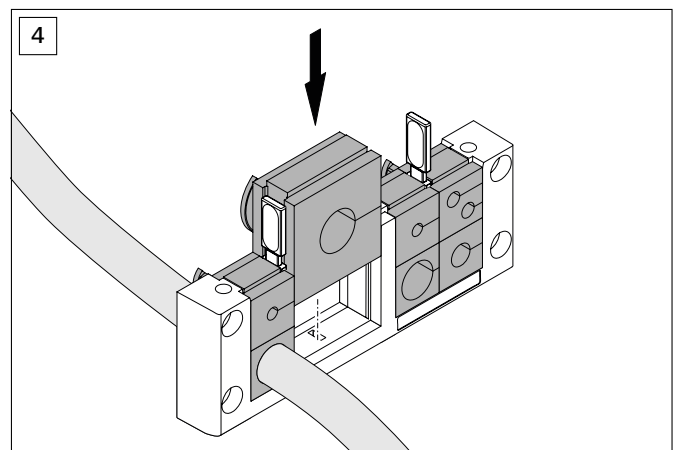
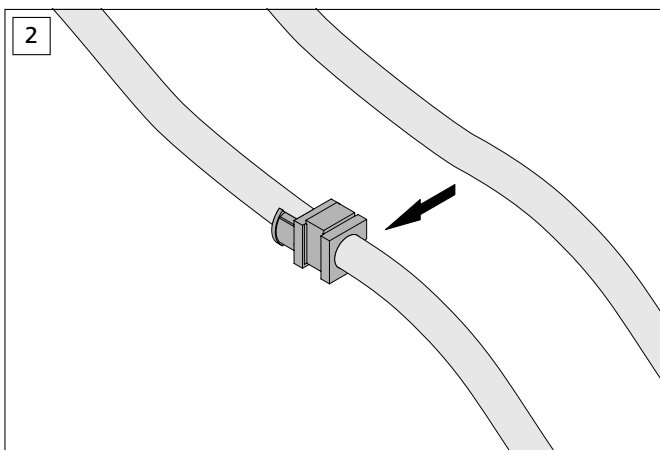
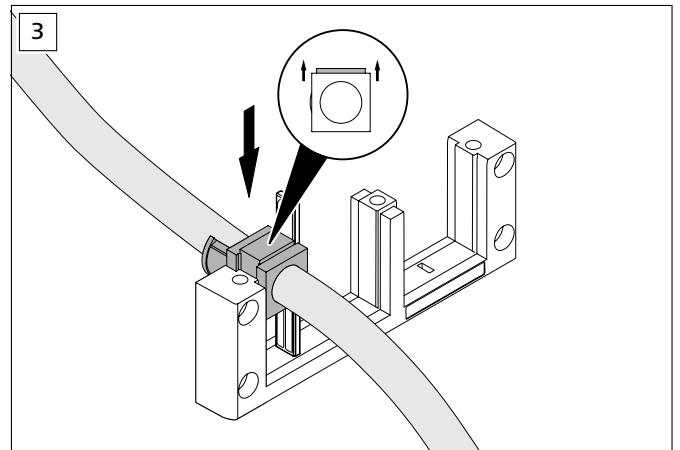
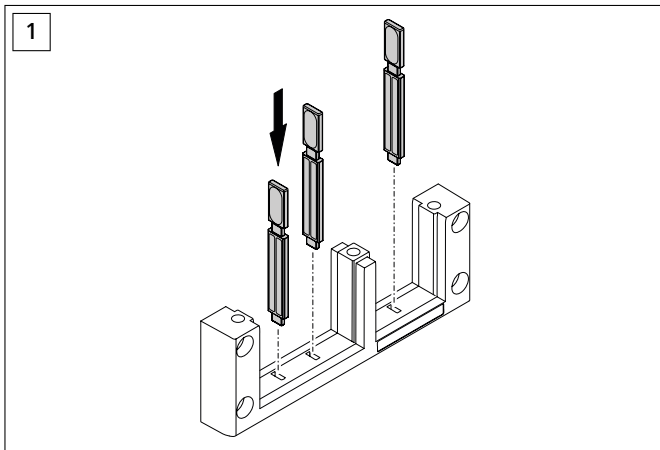
TR

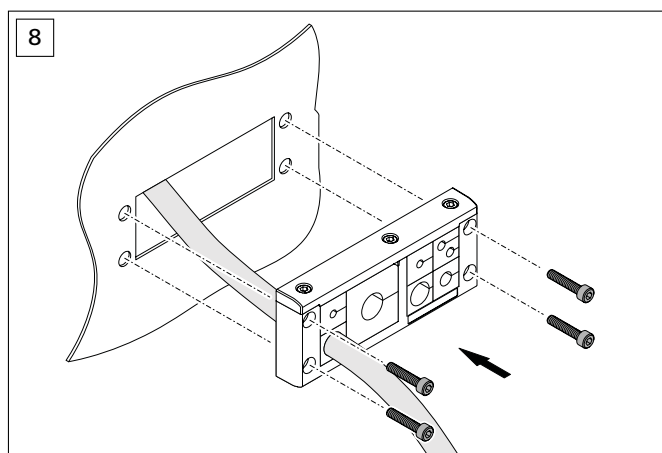
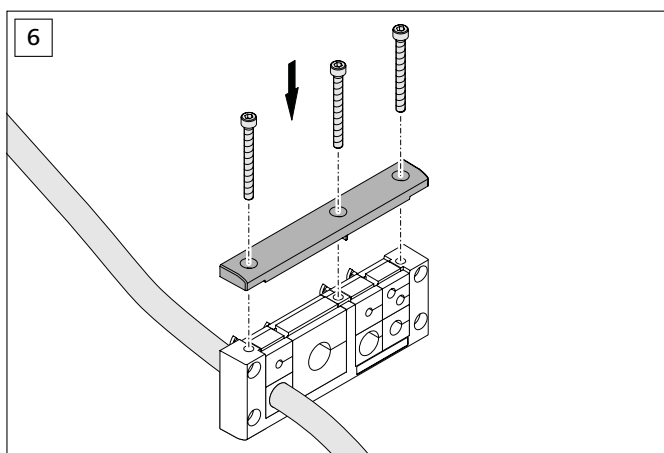
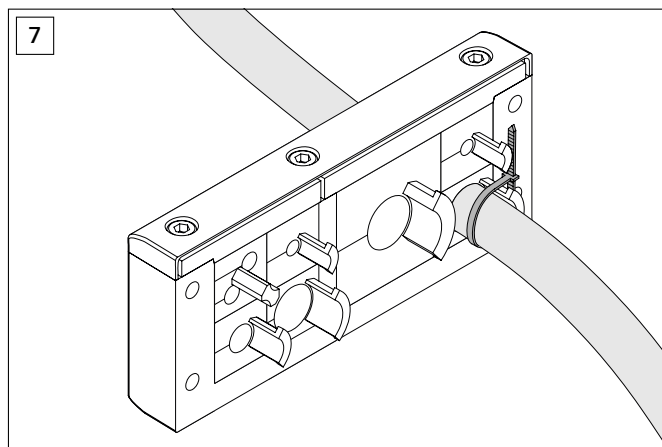
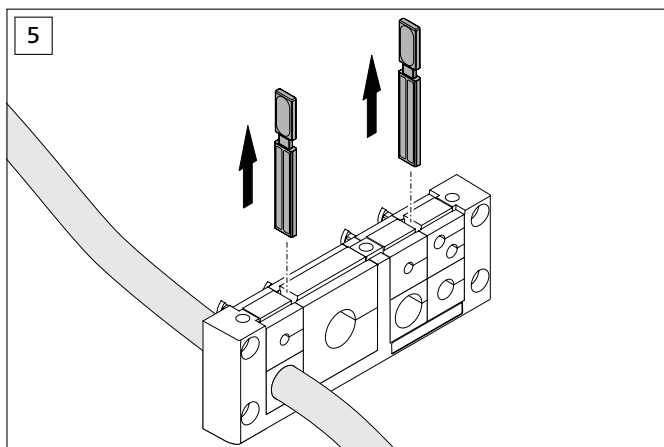
RU

3 Installation



i Intended for use with cable diameters as noted on the inserts, only





► Tighten screws to 2.0 Nm.

► Tighten screws (M5*) to 2.0 Nm.

i * For Type 12, screws shall be made of stainless steel or galvanized steel.

* For Type 4X indoor use, screws shall be made of stainless steel AISI Type 304 or 316.

i Type ratings were evaluated with cables feed straight through, without any bending or misalignment forces on the same. This shall be considered for proper end use mounting. Strain relief and push back relief on cables shall be up to the end user to provide it in the end use.

EN

DE

FR

ES

PT

IT

NL

DK

NO

SE

FI

PL

CZ

HU

SI

RO

TR

RU