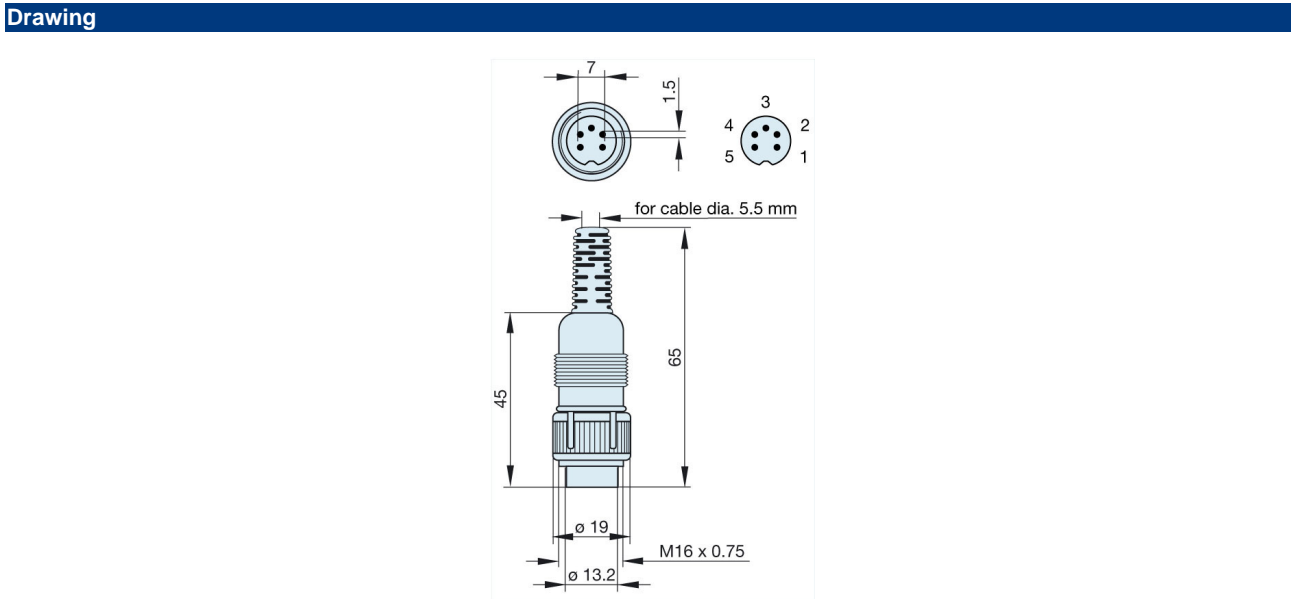




MAS 5100 grau/grey

Industrial Connectors:Connectors for audio, video and data:Miniature multipole connectors:with locking screw:Straight plugs

| Product description | |
|---------------------|---------------------------------------|
| Type | MAS 5100 grau/grey |
| Order No. | 930 964-517 |
| Type of contact | male |
| Description | plug with locking screw; solder joint |
| Housing Color | grey |
| Number of contacts | 5 |
| Conductor size | <= 0.34 mm ² |



| Technical data | |
|-----------------------------------|----------------------------------|
| LF output "Phone" | EN 60 130-09 |
| Rated current | <= 4 A |
| Rated voltage | UC 34 V |
| Cable diameter | 5.5 mm |
| Type of termination | solder |
| Material | |
| Contact material | brass |
| Contact surface material | tin plated |
| Contact bearer material | PA 66/UL standard 94V-2 |
| Housing material | PE |
| Environmental conditions | |
| Protection class (IEC 60529) | IP 30 |
| Temperature range | -20 °C to +60 °C |
| Scope of delivery and accessories | |
| Packaging | retail package, polyethylene bag |