

5.08mm Header Top Entry Closed 15A Terminal Blocks

Specifications

Pitch:	5.08mm
Type:	Vertical, Closed-ended
Poles:	2 to 12
Rated Voltage:	See Table
Rated Current:	See Table
Operational Temperature:	-40°C to +105°C
Withstand Voltage:	2500V AC for 60s
Insulation Resistance:	500MΩ at 500V DC
Wave Soldering:	260°C for 5s
Hand Soldering:	350°C for 10s

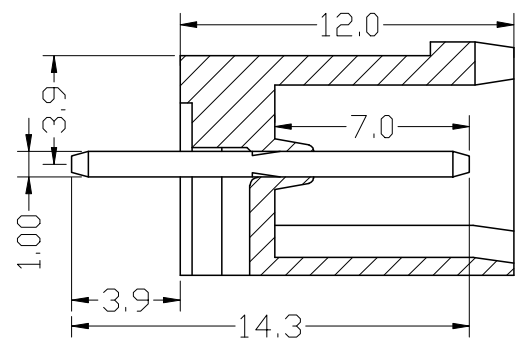
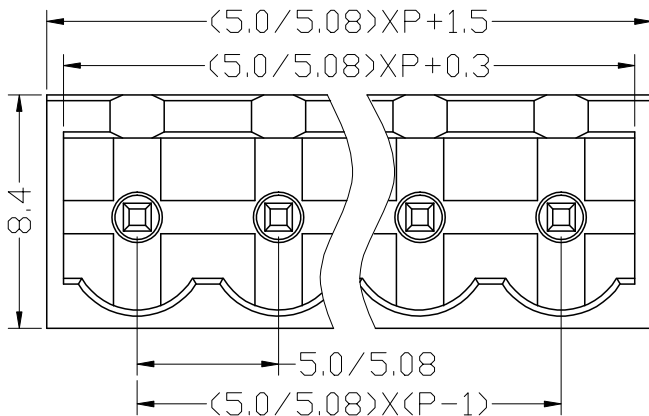


Colour and Materials

Housing Colour:	Green
Housing Material:	PA66
Flame Retardancy:	UL94-V0
Pin Header:	Tin-plated brass

Order Code	Poles	Order Code	Poles
21-2872	2	21-2877	8
21-2873	3	21-2945	9
21-2874	4	21-2878	10
21-2875	5	21-2946	11
21-2876	6	21-2879	12
21-2881	7		

Standard	Rated Voltage	Rated Current
UL	300V	15A
IEC	320V	20A



Measurements are in mm
unless stated otherwise.

For further information on pricing, delivery, and long-term stock agreements please get in touch with your local business development contact. Telephone our main office on **01206 838000** or email Sales@Rapidonline.com.

The information contained in this datasheet is subject to change without notice and replaces all data sheets previously supplied.

