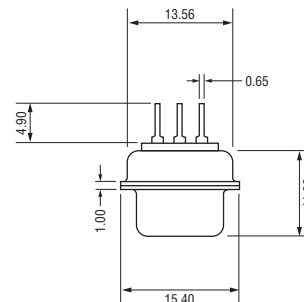
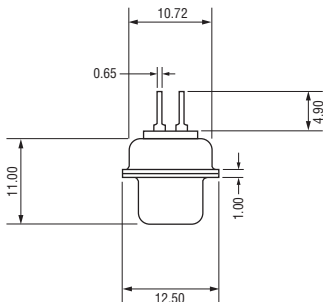
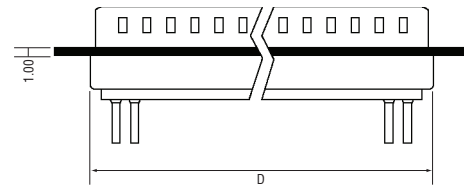
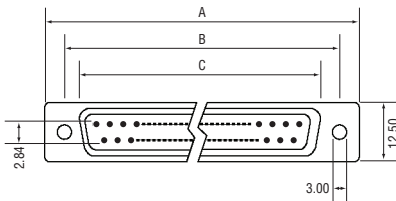


## Specifications:



Materials & Finish	
Shell	Nickel plated steel
Socket contact	Gold plated over nickel
Insulator	PBT and glass fibre reinforced UL-94-V0
Current rating	5A
Dielectric strength	1000V for one minute
Insulator resistance	100MΩ min. at 500V DC
Temperature	-55°C to +105°C



Order code	No. of Ways	Gender	Dimensions (mm)			
			A	B	C	D
15-0740	9	Male	30.81	24.88	16.92	19.28
15-0746		Female	30.81	24.88	16.33	19.28
15-0742	15	Male	39.14	33.32	25.25	27.51
15-0748		Female	39.14	33.32	24.66	27.51
15-0744	25	Male	53.04	47.04	38.96	41.30
15-0750		Female	53.04	47.04	38.38	41.30