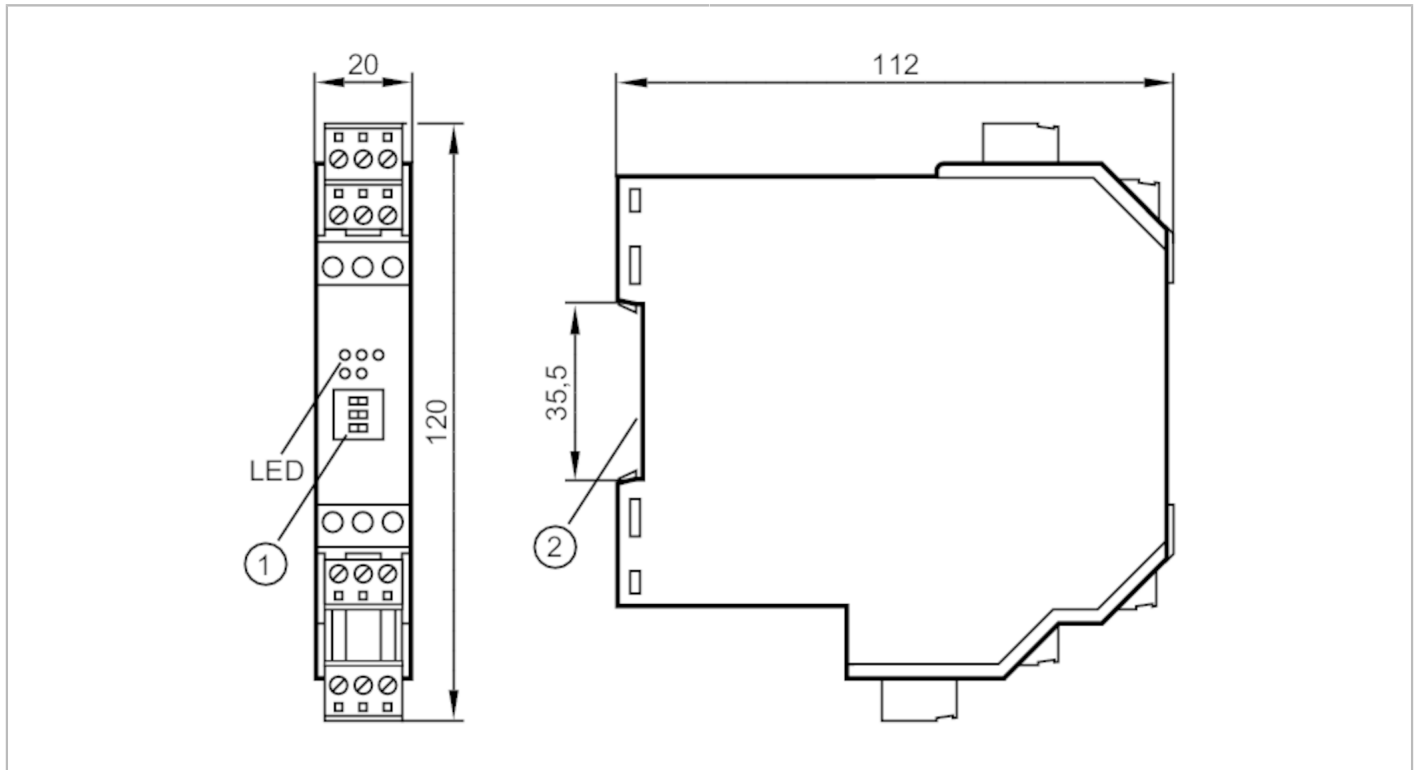


N0534A



Switching amplifiers for Namur sensors

NV1222/24VDC/TR/1D/1G



Product characteristics

Number of inputs and outputs _____ Number of digital outputs: 2

Application

Application _____ short-circuit monitoring; Wire monitoring

Electrical data

Operating voltage tolerance	[%]	-15...25
Operating voltage	[V]	24 DC
Current consumption	[mA]	< 50
Number of channels		2

Inputs / outputs

Number of inputs and outputs _____ Number of digital outputs: 2

Outputs

Electrical design		PNP
Number of digital outputs		2
Max. voltage drop switching output DC	[V]	3.5
Max. current load per output	[mA]	100
Switching frequency DC	[Hz]	5000
Short-circuit proof		yes

Operating conditions

Ambient temperature	[°C]	-20...60
Protection		IP 20

N0534A



Switching amplifiers for Namur sensors

NV1222/24VDC/TR/1D/1G

Tests / approvals		
Approval	PTB 02 ATEX 2037; TIIS TC16049; IECEx PTB 06.0038	
ATEX marking	Ⓔ II (1) G [Ex ia] IIC	
	Ⓔ II (1) D [Ex ia] IIIC	
EMC	EN 50081-2	(1993)
	EN 61326-1	(2006)
MTTF [years]	394	
Mechanical data		
Weight [g]	171.1	
Displays / operating elements		
Display	switching status	2 x LED, yellow
	operation	LED, green
	function	2 x LED, red
Remarks		
Remarks	Caution The control monitor must be mounted outside the hazardous area. Free terminals must not be used.	
Pack quantity	1 pcs.	

N0534A



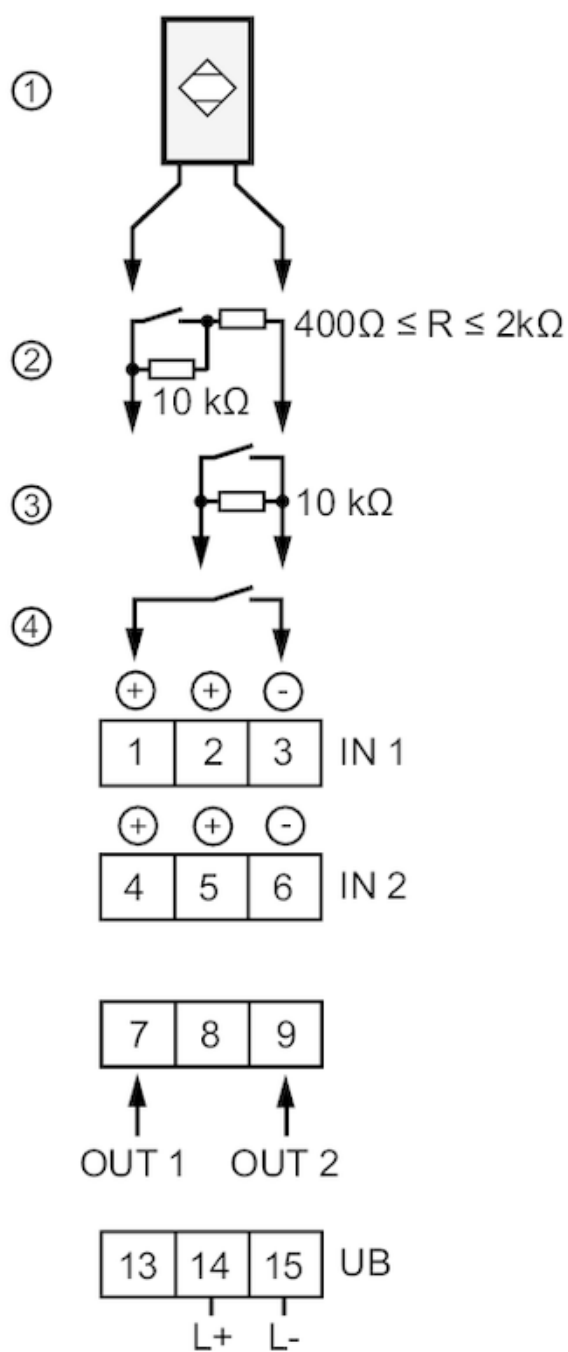
Switching amplifiers for Namur sensors

NV1222/24VDC/TR/1D/1G

Electrical connection

terminals: ...2.5 mm²

Connection



N0534A



Switching amplifiers for Namur sensors

NV1222/24VDC/TR/1D/1G

Other data

Maximum values for control circuit

in protection rating intrinsic safety	[EEx ia] IIC	[EEx ia] IIB	[EEx ib] IIC	[EEx ib] IIB
Voltage [V]	10.5	10.5	10.5	10.5
Current [mA]	13	13	13	13
Power [mW]	34	34	34	34
External inductance [mH]	200	740	200	740
External capacitance [μ F]	2.4	16.8	2.4	16.8