

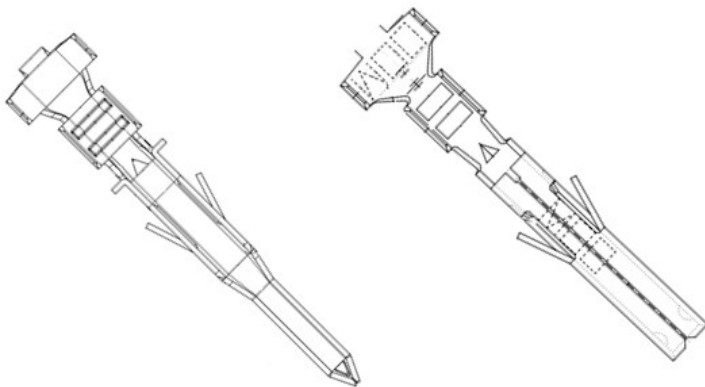


Product Change Notification

Date Issued :	May 19, 2022	PCN Number :	512014
Reason for Change :	Change Supplier		
Description of Change :	This notification is to inform you that Molex Lincoln Nebraska is adding an additional supplier impacting the part(s) attached as per list. Additional supplier is a qualified supplier to Molex on other products. No changes will be made to product as part of this change.		
Reason for Short Notice :	Supplier Constraints		
Assessment of Change :	Dimension analysis		
Planned Implementation Date :	August 12, 2022		
Sample Availability Date:	July 12, 2022		
Internal Molex Qualification Date :	August 05, 2022		
Last date to request Samples by Customer :	August 05, 2022		
Traceability Code Markings / Date :	Product made after planned implementation date can contain the change		

Before Picture

- Second Source Material Supplier



Photos are for reference only and represent some but not all aspects affected product

After Picture

Overview

- **Additional Metal Supplier Source**
 - Molex Lincoln Nebraska is adding an addition raw material supplier source
 - Addition supplier source will only affect product produced out of North America
 - Added to ensure ability to provide for current and future demand
 - Additional source is an approved supplier for Molex

- There is NO impact to fit, form or function
- **Part Number Impact**
 - See attached impacted parts list

- Qualification Reports, PPAPs and samples available upon request after the date shown above

- Questions/concerns contact your Molex Account manager

RELEASED

You may address inquires regarding this PCN by clicking on the below link
mailto:pcn_coordinator@molex.com?subject=PCN_Notification:512014
or contact your Local Sales Engineer.

Note: While responding, please retain " PCN Notification : **PCN Notification: 512014** " in the e-mail Subject line for faster response.

[Molex, LLC](#)
2222 Wellington Court
Lisle, IL 60532
TEL (800) 786-6539
www.molex.com