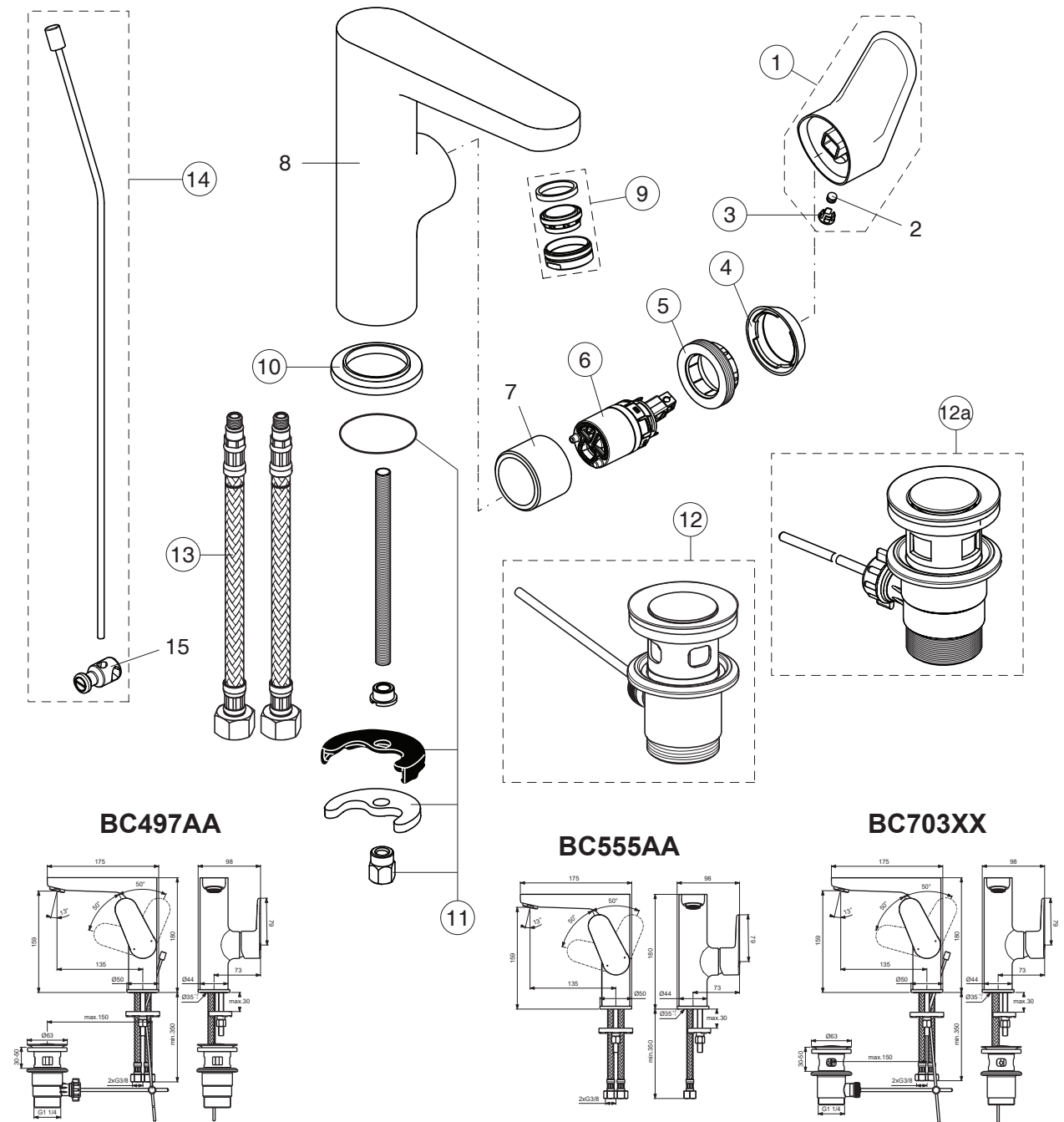




CERAFINE MODEL O

Ideal Standard



For XX=Coverage-Designate:
AA=chrome, XG=matt black sprayed ral 9005

For Instance:
B961647AA for chrome

Pos.	Signify	Spare parts-Nr.	Quantity	Pos.	Signify	Spare parts-Nr.	Quantity
1	Lever, w/logo-compl.	B961647XX	1 Set	14	Pop up waste-compl.	B961384XX	1 Pcs.
2	Screw M5x6		1 Pcs.	15	Pop up waste shackle		1 Pcs.
3	Cap decorative	B964696NU	1 Pcs.				
4	Cap	A861080XX	1 Pcs.				
5	Screw M38x1.5	B961645NU	1 Pcs.				
6	Cartridge Ø28mm	A861397NU	1 Pcs.				
7	Bushing		1 Pcs.				
8	Body basin		1 Pcs.				
9	Perlator M24x1-5 l/min	B961383XX	1 Pcs.				
10	Rosette decorative	B960712XX	1 Pcs.				
11	Connecting set	B964702NU	1 Pcs.				
12	Pop-up drain ass.	A962991XX	1 Pcs.				
12a	Pop-up waste-plastic	B964550XX	1 Pcs.				
13	Fl.hose G3/8-L425mm	A962370NU	1 Pcs.				