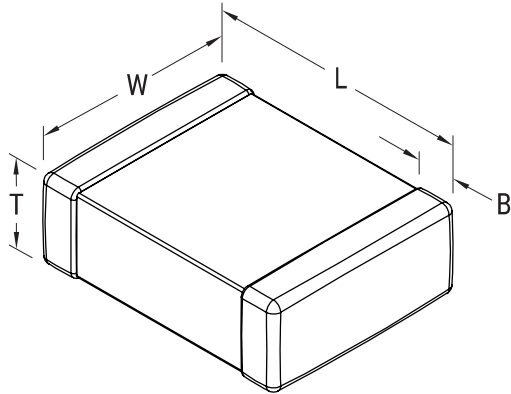


KEMET Part Number: C1206C104M5UACTU
(C1206C104M5UAC7800)

SMD Comm Z5U, Ceramic, 0.1 uF, 20%, 50 VDC, Z5U, SMD, MLCC, General Purpose, Class III, 1206



Dimensions

L	3.2mm +/-0.2mm
W	1.6mm +/-0.2mm
T	0.78mm +/-0.10mm
B	0.5mm +/-0.25mm

Packaging Specifications

Packaging:	T&R, 180mm, Plastic Tape
Packaging Quantity:	4000

General Information

Supplier:	KEMET
Series:	SMD Comm Z5U
Style:	SMD Chip
Description:	SMD, MLCC, General Purpose, Class III
Features:	Class III
RoHS:	Yes
Termination:	Tin
Marking:	No
Miscellaneous:	Note: Referee time for Z5U dielectric for this part number is 1000 hours
Chip Size:	1206
Shelf Life:	78 Weeks
MSL:	1

Specifications

Capacitance:	0.1 uF
Capacitance Tolerance:	20%
Voltage DC:	50 VDC
Dielectric Withstanding Voltage:	125 V
Temperature Range:	+10/+85C
Temperature Coefficient:	Z5U
Dissipation Factor:	4.00% 1kHz 25C
Aging Rate:	7% Loss/Decade Hour
Insulation Resistance:	1 GOhms