

D1RFRD006

7

6

5

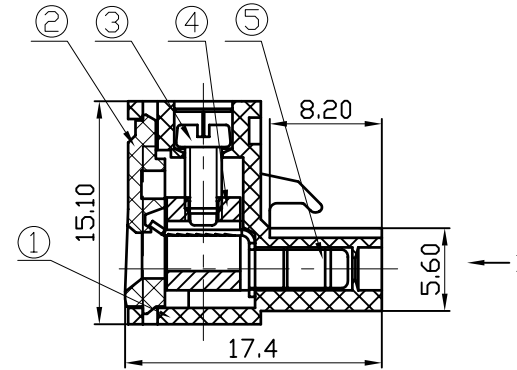
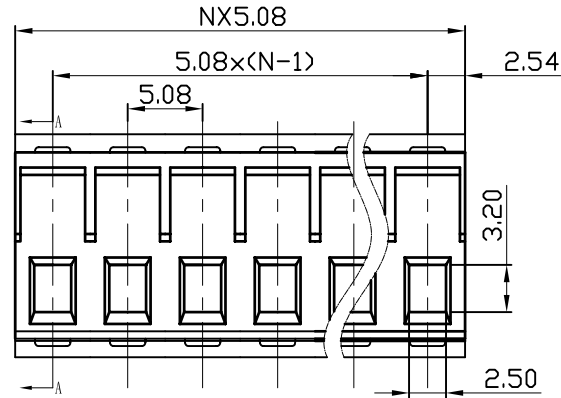
4

3

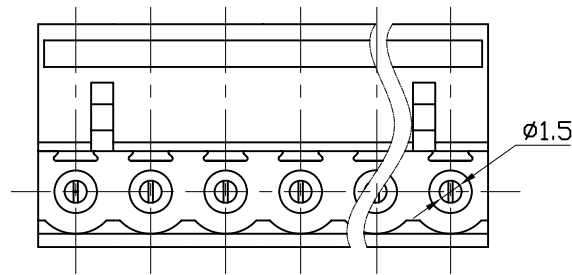
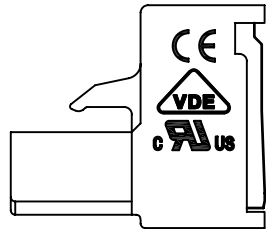
2

1

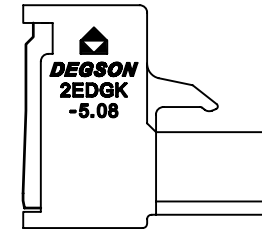
REVISION RECORD				
REV	ECN	DESCRIPTION	DRFT	DATE



SECTION A-A



VIEW-B



NOTES:

1. PITCH: 5.08MM POLES:2-24P
2. RATED VOLTAGE/CURRENT:UL 300V/15A  
VDE 320V/20A
3. INSULATION RESISTANCE: 5000MΩ/1000V
4. WITHSTANDING VOLTAGE: AC2500V/1MIN
5. WIRE RANGE: 28-12AWG 2.5MM<sup>2</sup>
6. TEMP. RANGE: -40° C~+105° C
7. TORQUE: 4.08KGF. CM(3.5LB. IN)
8. UNDIMENSIONED TOLERANCES:

Pitch range in mm		Nominal dimension range in mm					
to 6	over 6 to 10	to 30	over 30 to 60	over 60 to 100	over 100 to 150	∩	
±0.10	±0.15	±0.25	±0.2	±0.3	±0.5	±0.7	
						±1.0	
						0.05/10	

5	2EDG Clamp	1005B00010(H)	XX	Phosphor bronze	Sn plated
4	DG128 Brass cage	X000000020(H)	XX	Brass	Ni plated
3	2EDG "S" Screws-M2.5	S000001370(H)	XX	Steel	Cr <sup>3+</sup> Zn
2	2EDGK-5.08-Cover	1005C0YXXA(H)	1	PA66	UL94V-0

1	2EDGK-5.08-Housing	1005A0YXXA(H)	1	PA66	UL94V-0
ITEM	NAME OF PART	NO. OF PART	Q'TY	MATERIAL	NOTES

TOLERANCES EXCEPT AS NOTED		MATERIAL:			
.X ±	.X' ±	FINISH:			
.XX ±	.XX' ±	PART NO.:		NAME:	
.XXX ±	.XXX' ±	APPD:		2EDGK-5.08-XXP-1Y-00A(H)	
ANGLES ± 1°		CHKD:		TITLE: ASSEMBLY DRAWING	
THIRD ANGLE PROJECTION		DRFT: Haoyh 04/18/'05		REV	T4
DO NOT SCALE DRAWING				SCALE	N/A
SHEET				1/1	

8

7

6

5

4

3

2

1

H

G

F

E

D

C

B

A

H

G

F

E

D

C

B

A