

## TECHNICAL SPECIFICATIONS

### D-Sub Hood:

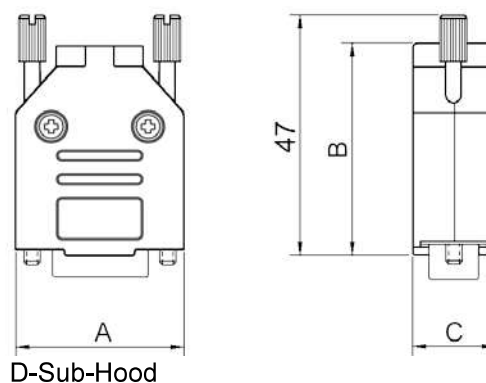
Material:	UL 94 V-0 Plastic Material
Operating Temperature:	-55°C to +110°C
Cable Entry:	Top
Thumbscrews:	UNC 4-40 (Standard)
Cable O.D:	Up to 11,5mm
Colour:	Black

### Male D-Sub Solder Cup:

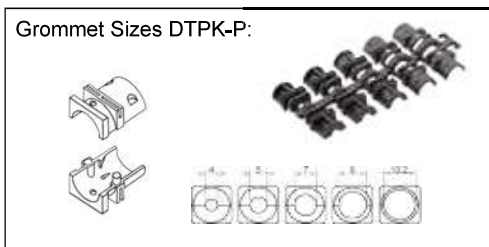
Insulator:	PBT, Black, UL94 V-0
Shell:	Steel, Tin Plated
Contact pins:	Copper Alloy
Stamped & Formed Pins	Class 3, 100 inserts min.
Machined Contact Pins:	Class 1, 500 inserts min.
Contact Plating:	Selective Gold over Nickel
Operating Temperature:	-55°C to +105°C
Withstanding voltage:	1000V for 1 minute
Insulator resistance:	1000MΩ min.

### Features:

- Available in sizes 9-15-25-37
- Suitable for any common Sub-D connector
- Strain relief inserts ensure a secure termination
- Re-openable



Grommet Sizes DTPK-P:



Size DTPK-P	Dim A	Dim B	Dim C
9-way	31,2	39,9	15,0
15-way	39,5	41,5	15,0
25-way	53,4	48,6	15,0
37-way	69,7	53,6	15,0

### Ordering information:

**Class 3 D-Sub Connector Kits (100 inserts min.)**

Size:	P/N - Kitted:	Product Code - MALE Conn. Kit
9-way	6355-0032-01	DTPK-P-09-DBP-K
15-way	6355-0032-02	DTPK-P-15-DBP-K
25-way	6355-0032-03	DTPK-P-25-DBP-K
37-way	6355-0032-04	DTPK-P-37-DBP-K

### Ordering information:

**Class 1 D-Sub Connector Kits (500 inserts min.)**

Size:	P/N - Kitted:	Product Code - MALE Conn. Kit
9-way	6355-0033-01	DTPK-P-09-DMP-K
15-way	6355-0033-02	DTPK-P-15-DMP-K
25-way	6355-0033-03	DTPK-P-25-DMP-K
37-way	6355-0033-04	DTPK-P-37-DMP-K