

DLW43SH101XK2#

“#” indicates a package specification code.

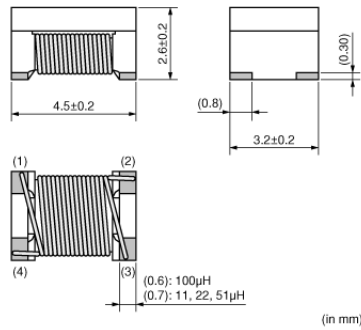
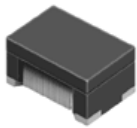
For CAN



< List of part numbers with package codes >

DLW43SH101XK2K DLW43SH101XK2L DLW43SH101XK2B

Appearance & Shape



Features

1. Small size: L4.5xW3.2xT2.6mm (EIA code: 1812)
Tolerance: 0.2mm
2. Common mode inductance items of 11, 22, 51, 100 microH, and they can be used for each applications.

Applications

For Automotive.

Common mode noise suppression of automotive LAN for Flex Ray, CAN.

Applications

Automotive Usage	Powertrain/Safety
------------------	-------------------

Packaging Information

Packaging	Specifications	Minimum Order Quantity
K	330mm Embossed Tape	2500
L	180mm Embossed Tape	500
B	Bulk(Bag)	100

Attention

1. This datasheet is downloaded from the website of Murata Manufacturing Co., Ltd. Therefore, its specifications are subject to change or our products in it may be discontinued without advance notice. Please check with our sales representatives or product engineers before ordering.

2. This datasheet has only typical specifications because there is no space for detailed specifications.

Therefore, please review our product specifications or consult the approval sheet for product specifications before ordering.

DLW43SH101XK2#

“#” indicates a package specification code.



Specifications

Shape	SMD	Mass(typ.)	0.17g
Size Code (in mm)	4532	Number of Circuit	1
Size Code (in inch)	1812	Common Mode Inductance	100μH-30%/+50% (at 1MHz)
Length	4.5mm	Operating Temperature Range(Self-temperature rise is included)	No
Length Tolerance	±0.2mm		
Width	3.2mm		
Width Tolerance	±0.2mm		
Thickness	2.6mm		
Thickness Tolerance	±0.2mm		
Rated Current	200mA		
Derating of Rated Current	No		
Rated Voltage	50Vdc		
Withstanding Voltage	125Vdc		
DC Resistance(max.)	2Ω		
DC Resistance	2.0Ω max.		
Insulation Resistance(min.)	10MΩ		
Operating Temperature Range	-40°C to 125°C		

Attention

1.This datasheet is downloaded from the website of Murata Manufacturing Co., Ltd. Therefore, it's specifications are subject to change or our products in it may be discontinued without advance notice. Please check with our sales representatives or product engineers before ordering.

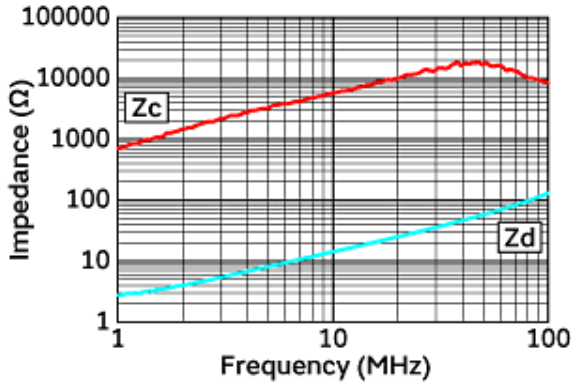
2.This datasheet has only typical specifications because there is no space for detailed specifications.

Therefore, please review our product specifications or consult the approval sheet for product specifications before ordering.

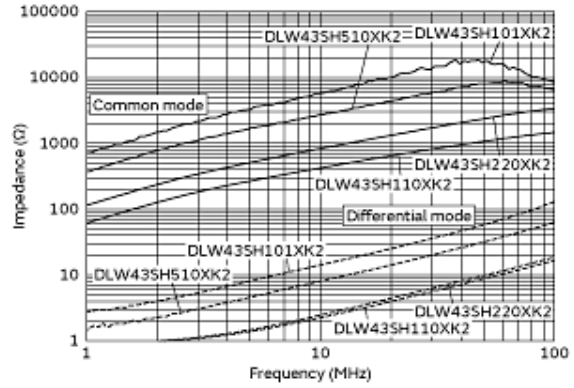
DLW43SH101XK2#

"#" indicates a package specification code.

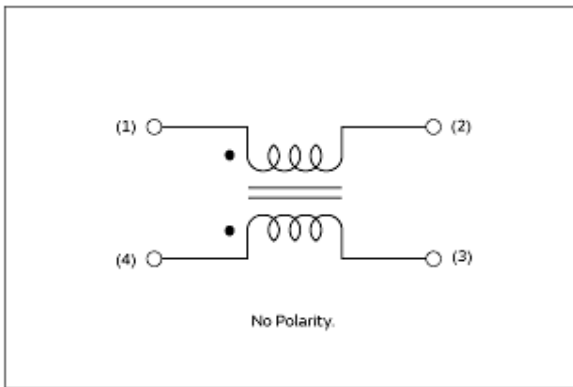
Product Data



Impedance-Frequency Characteristics



Impedance-Frequency Characteristics (Main Items)



Equivalent Circuit

Attention

- 1.This datasheet is downloaded from the website of Murata Manufacturing Co., Ltd. Therefore, it's specifications are subject to change or our products in it may be discontinued without advance notice. Please check with our sales representatives or product engineers before ordering.
- 2.This datasheet has only typical specifications because there is no space for detailed specifications. Therefore, please review our product specifications or consult the approval sheet for product specifications before ordering.