

Threaded resistance thermometer, model TR36

EN

Widerstandsthermometer zum Einschrauben, Typ TR36

DE

Sonde à résistance à raccord fileté, type TR36

FR

Termorresistencia roscada, modelo TR36

ES



Threaded resistance thermometer, model TR36

EN	Operating instructions model TR36	Page	3 - 30
DE	Betriebsanleitung Typ TR36	Seite	31 - 58
FR	Mode d'emploi type TR36	Page	59 - 86
ES	Manual de instrucciones modelo TR36	Página	87 - 114

© 06/2021 WIKA Alexander Wiegand SE & Co. KG
All rights reserved. / Alle Rechte vorbehalten.
WIKA® is a registered trademark in various countries.
WIKA® ist eine geschützte Marke in verschiedenen Ländern.

Prior to starting any work, read the operating instructions!
Keep for later use!

Vor Beginn aller Arbeiten Betriebsanleitung lesen!
Zum späteren Gebrauch aufbewahren!

Lire le mode d'emploi avant de commencer toute opération !
A conserver pour une utilisation ultérieure !

¡Leer el manual de instrucciones antes de comenzar cualquier trabajo!
¡Guardar el manual para una eventual consulta!

Contents

1. General information	4
2. Design and function	5
3. Safety	8
4. Transport, packaging and storage	12
5. Commissioning, operation	13
6. Configuration	18
7. Configuration software WIKAsoft-TT	19
8. Connecting the PU-548 programming unit	21
9. Faults	22
10. Maintenance and cleaning	23
11. Dismounting, return and disposal	24
12. Specifications	26

Declarations of conformity can be found online at www.wika.com.

1. General information

1. General information

EN

- The resistance thermometer described in the operating instructions has been designed and manufactured using state-of-the-art technology. All components are subject to stringent quality and environmental criteria during production. Our management systems are certified to ISO 9001 and ISO 14001.
- These operating instructions contain important information on handling the instrument. Working safely requires that all safety instructions and work instructions are observed.
- Observe the relevant local accident prevention regulations and general safety regulations for the instrument's range of use.
- Skilled personnel must have carefully read and understood the operating instructions prior to beginning any work.
- Subject to technical modifications.
- Further information:
 - Internet address: www.wika.de / www.wika.com
 - Relevant data sheet: TE 60.36
 - Application consultant: Tel.: +49 9372 132-0
info@wika.com

2. Design and function

2. Design and function

2.1 Overview



EN

- ① Angular connector DIN EN 175301-803 form A
- ② Process connection
- ③ Probe tube

2.2 Description

The model TR36 resistance thermometer consists of a thermowell/ protection tube with a fixed process connection and is screwed directly into the process.

If the resistance thermometer is to be operated in an additional protection tube, a spring-loaded compression fitting must be used.

They are designed to be resistant to shock and vibration and all electrical components are protected against splash water. The vibration resistance conforms to IEC 60751 (8 g, dependent on the instrument version). The impact resistance of all versions meets the requirements of IEC 60751.

2. Design and function

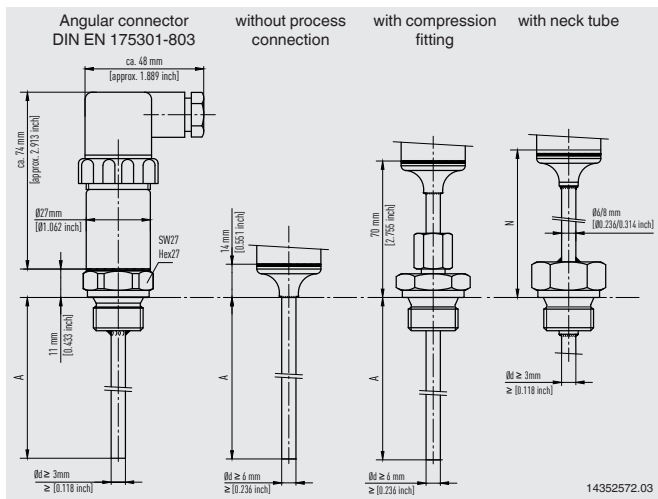
Ensure that mechanical loads on the connector are minimised, especially in case of increased ambient temperatures or strong vibration loads.

EN

The electrical connection is made via an angular connector DIN 175301-803, form A.

2.3 Dimensions in mm

- Process connection with parallel thread (or without process connection)



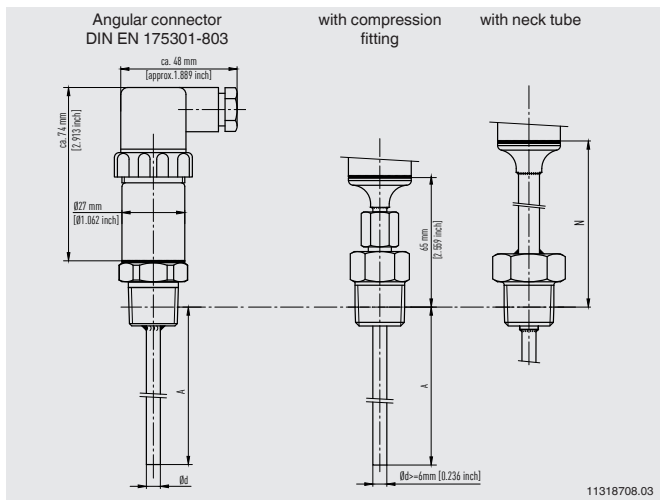
At a process temperature of > 150 °C [302 °F], a neck tube length N of 70 mm is necessary.

Legend:

- A Insertion length
- N Neck tube length (70 mm)
- $\varnothing d$ Probe diameter

2. Design and function

■ Process connection with tapered thread



At a process temperature of $> 150 \text{ }^\circ\text{C}$ [$302 \text{ }^\circ\text{F}$], a neck tube length N of 70 mm is necessary.

Legend:

A Insertion length

N Neck tube length (70 mm)

$\varnothing d$ Probe diameter

2.4 Scope of delivery

Cross-check scope of delivery with delivery note.

3. Safety

3. Safety

3.1 Explanation of symbols

EN



WARNING!

... indicates a potentially dangerous situation that can result in serious injury or death, if not avoided.



CAUTION!

... indicates a potentially dangerous situation that can result in light injuries or damage to property or the environment, if not avoided.



DANGER!

... identifies hazards caused by electric power. Should the safety instructions not be observed, there is a risk of serious or fatal injury.



WARNING!

... indicates a potentially dangerous situation that can result in burns, caused by hot surfaces or liquids, if not avoided.



Information

... points out useful tips, recommendations and information for efficient and trouble-free operation.

3.2 Intended use

The model TR36 resistance thermometer is used as universal thermometer for the measurement of liquid and gaseous media in the range -50 ... +150 °C [-58 ... +302 °F] (without neck tube) and -50 ... +250 °C [-58 ... +482 °F] (with neck tube). It can be used for pressures up to 140 bar [2,030 psi], 270 bar [3,916 psi] or 400 bar [5,801 psi] - depending on the protection tube diameters.

3. Safety

The instrument has been designed and built solely for the intended use described here, and may only be used accordingly.

The technical specifications contained in these operating instructions must be observed. Improper handling or operation of the instrument outside of its technical specifications requires the instrument to be taken out of service immediately and inspected by an authorised WIKA service engineer.

The manufacturer shall not be liable for claims of any type based on operation contrary to the intended use.

3.3 Improper use



WARNING!

Injuries through improper use

Improper use of the instrument can lead to hazardous situations and injuries.

- ▶ Refrain from unauthorised modifications to the instrument.
- ▶ Do not use the instrument within hazardous areas.
- ▶ Do not use the instrument with abrasive or viscous media.

Any use beyond or different to the intended use is considered as improper use.

Do not use this instrument in safety or emergency stop devices.

3.4 Responsibility of the operator

The instrument is used in the industrial sector. The operator is therefore responsible for legal obligations regarding safety at work.

The safety instructions within these operating instructions, as well as the safety, accident prevention and environmental protection regulations for the application area must be maintained.

The operator is obliged to maintain the product label in a legible condition.

3. Safety

To ensure safe working on the instrument, the operating company must ensure

- that suitable first-aid equipment is available and aid is provided whenever required.
- that the operating personnel are regularly instructed in all topics regarding work safety, first aid and environmental protection and know the operating instructions and, in particular, the safety instructions contained therein.
- that the instrument is suitable for the particular application in accordance with its intended use.
- that personal protective equipment is available.

EN

3.5 Personnel qualification



WARNING!

Risk of injury should qualification be insufficient!

Improper handling can result in considerable injury and damage to property.

- ▶ The activities described in these operating instructions may only be carried out by skilled personnel who have the qualifications described below.
- ▶ Keep unqualified personnel away from hazardous areas.

Skilled electrical personnel

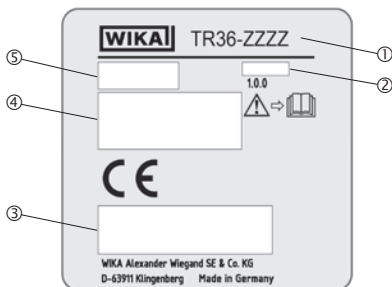
Skilled electrical personnel are understood to be personnel who, based on their technical training, know-how and experience as well as their knowledge of country-specific regulations, current standards and directives, are capable of carrying out work on electrical systems and independently recognising and avoiding potential hazards. The skilled electrical personnel have been specifically trained for the work environment they are working in and know the relevant standards and regulations. The skilled electrical personnel must comply with current legal accident prevention regulations.

Special operating conditions require further appropriate knowledge, e.g. of aggressive media.

3. Safety

3.6 Labelling, safety marks

Product labels (example)



EN

- ① Model
- ② Date of manufacture (year-month)
- ③ Approval logos
- ④ Information on version (measuring element, output signal, measuring range ...)
- ⑤ Serial number, Tag number



Before mounting and commissioning the instrument, ensure you read the operating instructions!

4. Transport, packaging and storage

4. Transport, packaging and storage

4.1 Transport

EN

Check the instrument for any damage that may have been caused by transport.

Obvious damage must be reported immediately and damaged instruments must not be used.



CAUTION!

Damage through improper transport

With improper transport, a high level of damage to property can occur.

- ▶ When unloading packed goods upon delivery as well as during internal transport, proceed carefully and observe the symbols on the packaging.
- ▶ With internal transport, observe the instructions in chapter 4.2 “Packaging and storage”.

If the instrument is transported from a cold into a warm environment, the formation of condensation may result in instrument malfunction. Before putting it back into operation, wait for the instrument temperature and the room temperature to equalise.

4.2 Packaging and storage

Do not remove packaging until just before mounting.

Keep the packaging as it will provide optimum protection during transport (e.g. change in installation site, sending for repair).

Permissible conditions at the place of storage:

- Storage temperature: -40 ... +85 °C [-40 ... +185 °F]
- Humidity: 5 ... 95 % r. h. (non-condensing)

Avoid exposure to the following factors:

- Direct sunlight or proximity to hot objects
- Mechanical vibration, mechanical shock (putting it down hard)
- Soot, vapour, dust and corrosive gases
- Hazardous environments, flammable atmospheres

4. Transport ... / 5. Commissioning, operation

Store the instrument in its original packaging in a location that fulfils the conditions listed above. If the original packaging is not available, pack and store the instrument as described below:

1. Wrap the instrument in an antistatic plastic film.
2. Place the instrument, along with shock-absorbent material, in the packaging.
3. If stored for a prolonged period of time (more than 30 days), place a bag containing a desiccant inside the packaging.



Before storing the instrument (following operation), remove any residual media. This is of particular importance if the medium is hazardous to health, e.g. caustic, toxic, carcinogenic, radioactive, etc.

EN

5. Commissioning, operation



WARNING!

Avoid putting any mechanical loading on the electrical connections and on the cases. Connections must only be opened once the instrument has been depressurised and has cooled down.

Maximum permissible temperatures:

- At the case with transmitter: 85 °C [185 °F]
- Class A:
Without neck tube -30 ... +150 °C [-22 ... +302 °F]
With neck tube -30 ... +250 °C [-22 ... +482 °F]
- Class B:
Without neck tube -50 ... +150 °C [-58 ... +302 °F]
With neck tube -50 ... +250 °C [-58 ... +482 °F]



DANGER!

Danger to life caused by electric current

Upon contact with live parts, there is a direct danger to life.

- ▶ The instrument may only be installed and mounted by skilled personnel.

5. Commissioning, operation

5.1 Installation

EN These resistance thermometers are designed for screw-fitting directly into the process. The insertion length, along with the flow rate and viscosity of the process media, may reduce the max. loading on the protection tube.

If the resistance thermometer is to be operated in an additional protection tube, a spring-loaded compression fitting must be used.

The case must be grounded against electromagnetic fields and electrostatic charge. It is not necessary to connect the case separately to the equipotential bonding system, provided that it has a fixed and secure contact to the metal vessel, its components or pipes, and that these are connected to the equipotential bonding system.

When there is a non-metal contact with the vessel, or with its structural components or piping, the instrument must be provided with equipotential bonding.

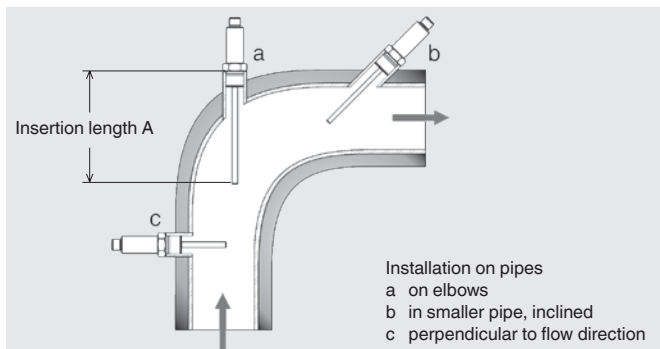


WARNING!

Neither repairs nor structural modifications are permitted, and any would void the guarantee.

5. Commissioning, operation

Installation examples



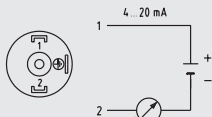
For information on tapped holes, refer to DIN 3852 or for NPT threads to ANSI B 1.20.

5.1.1 Tightening torques for compression fittings

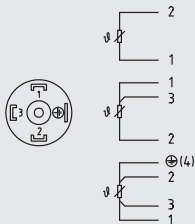
Sealing	Turns	Max. pressure in bar
Stainless steel ferrule	1 ¼ ... 1 ½	100
Stainless steel bite-type ferrule	1 ¼ ... 1 ½	100
PTFE ferrule	1 ¼ ... 1 ½	8

5.2 Electrical connection

Output signal 4 ... 20 mA
Angular connector DIN EN 175301-803



With direct sensor output
Angular connector DIN EN 175301-803



5. Commissioning, operation

Version with angular connector (DIN EN 175301-803):

For the cable leads we recommend the use of crimped end splices.

EN

To ensure IP65 ingress protection:

- Always use the silicon seals
- Tighten the locking screw
- Ensure the cables are inserted carefully

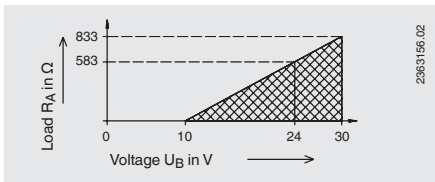
This is protection class 3 equipment for connection at low voltages, which are separated from the mains voltage or voltages of greater than AC 50 V or DC 120 V. Preferably, a connection to an SELV or PELV circuit is recommended; alternatively protective measures from HD 60346-4-41 (DIN VDE 0100-410).

Alternatively for North America

The connection can be made in line with “Class 2 Circuits” or “Class 2 Power Units” in accordance with CEC (Canadian Electrical Code) or NEC (National Electrical Code).

Load diagram

The permissible load depends on the loop supply voltage. For communication with the instrument, with programming unit PU-548, a max. load of 350 Ω is admissible.



5. Commissioning, operation

5.3 Behaviour of the 4 ... 20 mA electrical output signal

■ Sensor break and short-circuit

Sensor break or short-circuit are signalled after positive detection (after approx. 1 second). If this fault condition has been caused by a malfunction, then a relevant measuring signal must exist for approx. 1 second in order to return to measuring mode. From the time of the error detection up to the error signalling, the last relevant measured value will be delivered on the current loop.

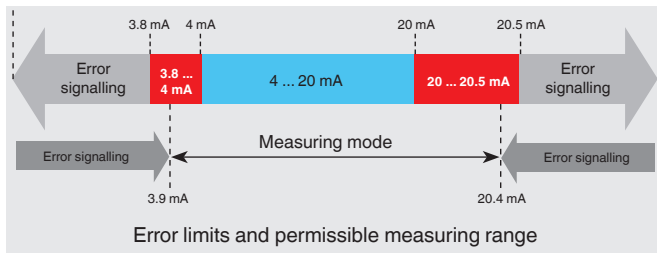
Therefore, in the event of a “true” sensor break or short-circuit, this is also signalled permanently. In the event of a “false” sensor break or short-circuit, the transmitter has the possibility of reverting to measuring mode.

■ Medium temperature outside the span

If the medium temperature exceeds that configured within the transmitter, the transmitter will operate in a linear fashion within the following limits: 3.8 mA (MRS); 20.5 mA (MRE). If these limits are exceeded, then an error will be signalled.

■ Hysteresis on return to the measuring span

After the linear error limits have been exceeded, on return to the measuring span, a hysteresis of 0.1 mA must be passed. This hysteresis prevents the transmitter from jumping back and forth between error signalling and measuring mode.



6. Configuration

6. Configuration

EN

Configuration is carried out using a USB interface with a PC via the model PU-548 programming unit (accessories, order number: 14231581). The connection with the thermometer is made via the appropriate adapter cable (accessories: DIN connector, order number: 14005324).

Measuring range, dampening, error signalling, Tag no. and other parameters can be adjusted (see configuration software).



- Easy to use
- LED status display
- Compact design
- No further voltage supply is needed for either the programming unit or for the transmitter

(replaces programming unit model PU-448)

The measuring range is configurable between $-50 \dots +250 \text{ }^{\circ}\text{C}$ [$-58 \dots +482 \text{ }^{\circ}\text{F}$]. The configuration software checks the required measuring range and will only accept permissible values. Intermediate values are configurable - the smallest increment is $0.1 \text{ }^{\circ}\text{C}$ or $0.1 \text{ }^{\circ}\text{F}$. The thermometers are delivered configured to customer specifications within the configurable limits.

Please note:

The measuring range of the thermometer is limited by the application range of the measuring element, not by the setting range of the transmitter.

Maximum permissible temperatures:

- At the case with transmitter: $85 \text{ }^{\circ}\text{C}$ [$185 \text{ }^{\circ}\text{F}$]
- Class A:
 - Without neck tube $-30 \dots +150 \text{ }^{\circ}\text{C}$ [$-22 \dots +302 \text{ }^{\circ}\text{F}$]
 - With neck tube $-30 \dots +250 \text{ }^{\circ}\text{C}$ [$-22 \dots +482 \text{ }^{\circ}\text{F}$]
- Class B:
 - Without neck tube $-50 \dots +150 \text{ }^{\circ}\text{C}$ [$-58 \dots +302 \text{ }^{\circ}\text{F}$]
 - With neck tube $-50 \dots +250 \text{ }^{\circ}\text{C}$ [$-58 \dots +482 \text{ }^{\circ}\text{F}$]

7. Configuration software WIKAsoft-TT

7. Configuration software WIKAsoft-TT

For installation please follow the instructions of the installation routine.

7.1 Starting the software

Start the configuration software by double-clicking on the WIKAsoft-TT icon.

After starting the software, the language can be changed by selecting the flag of the country in question.

The selection of the COM port is made automatically.



After the connection of a transmitter (using the PU-548), on pressing the “Start” button, the configuration interface is loaded.



The configuration interface can only be loaded when an instrument is connected.



7. Configuration software WIKAsoft-TT

7.2 Configuration procedure

Steps 1 and 2 are carried out automatically when starting the software.

1. "Loading instrument data"
2. "Loading configuration"
3. [optional] Cancel write protection ("key" symbol at the bottom right)
4. Change the required parameters
→ Sensor/Measuring range/Error signalling etc.
5. "Save to the instrument"
6. [optional] Activate write protection
7. [optional] Print configuration history
8. [optional] Test: "Loading configuration" → Check configuration

7.3 Fault diagnosis

Here, in the event of an "error detected by the transmitter", the error message is displayed.

Examples: Sensor break, permitted highest temperature exceeded, etc.

In normal operation, "No fault - No maintenance requirement" is displayed here.

7.4 Measured values

Line recorder - Here the measured value progression is represented in the format of a chart recorder with a constant sampling rate in a defined time interval (180 seconds) and a variable temperature axis.

The display purely serves as a functional check and for information.

An export of the data is not possible.

7.5 Configuring several instruments identically

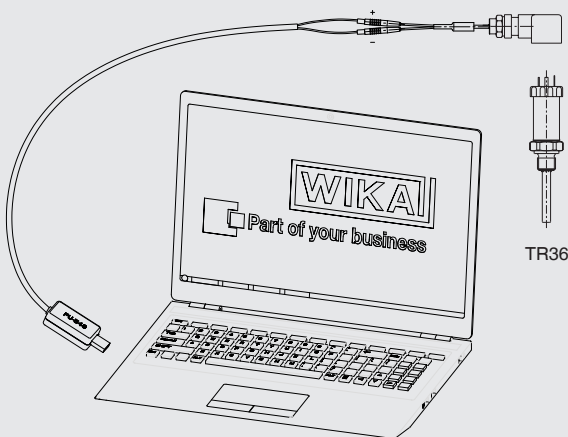
■ First instrument

1. "Loading configuration"
2. [optional] Cancel write protection ("key" symbol at the bottom right)
3. Change the required parameters
4. "Save to the instrument"
5. [optional] Activate write protection

- All following instruments
 1. "Loading instrument data"
 2. [optional] Cancel write protection
 3. [optional] Change the required parameters, e.g. tag number
 4. "Save to the instrument"
 5. [optional] Activate write protection

8. Connecting the PU-548 programming unit

Connection PU-548 ↔ adapter cable with angular DIN connector, form A



14004919.01 + 14005537.01

TR36

(predecessor, programming unit model PU-448, also compatible)

9. Faults

9. Faults

EN



CAUTION!

Physical injuries and damage to property and the environment

If faults cannot be eliminated by means of the listed measures, the instrument must be taken out of operation immediately.

- ▶ Ensure that temperature or signal is no longer present and protect against accidental commissioning.
- ▶ Contact the manufacturer.
- ▶ If a return is needed, please follow the instructions given in chapter 11.2 “Return”.



For contact details see chapter 1 “General information” or the back page of the operating instructions.

Faults	Causes	Measures
No signal/cable break	Mechanical load too high or overtemperature	Replace the probe with a suitable version
Erroneous measured values	Sensor drift caused by overtemperature	Replace the probe with a suitable version
	Sensor drift caused by chemical attack	Analyse the medium
Erroneous measured values (too low)	Entry of moisture into cable	Use the appropriate IP protection
Erroneous measured values and response times too long	Wrong mounting geometry, e.g. insertion depth too small or heat dissipation too high	The temperature-sensitive area of the sensor must be inside the medium, and surface measurements must be ungrounded
	Deposits on the protection tube	Remove deposits
Temporary or sporadic interruptions of the measured value signal	Cable break in connection cable or loose contact caused by mechanical overload	Replace the probe or use thicker conductor cross-section

9. Faults / 10. Maintenance and cleaning

Faults	Causes	Measures
Corrosion	Composition of the medium not as expected or modified	Analyse the medium
Signal interference	Stray currents caused by electric fields or earth circuits	Use of shielded connection leads, increase in the distance to motors and power lines
	Earth circuits	Elimination of potentials, use of galvanically isolated repeater power supplies or transmitters

EN

10. Maintenance and cleaning



For contact details see chapter 1 “General information” or the back page of the operating instructions.

10.1 Maintenance

The resistance thermometers described here require absolutely no maintenance and contain no components which could be repaired or replaced.

10.2 Cleaning



CAUTION! **Physical injuries and damage to property and the environment**

Improper cleaning may lead to physical injuries and damage to property and the environment. Residual media in the dismantled instrument can result in a risk to persons, the environment and equipment.

- ▶ Carry out the cleaning process as described below.

10. Maintenance and cleaning / 11. Dismounting ...

1. Before cleaning the instrument, disconnect the electrical connections.
2. Clean the instrument with a moist cloth.
Electrical connections must not come into contact with moisture!

EN



CAUTION!

Damage to the instrument

Improper cleaning may lead to damage to the instrument!

- ▶ Do not use any aggressive cleaning agents.
- ▶ Do not use any hard or pointed objects for cleaning.

3. Wash or clean the dismantled instrument, in order to protect persons and the environment from exposure to residual media.

11. Dismounting, return and disposal



WARNING!

Physical injuries and damage to property and the environment through residual media

Residual media in the dismantled instrument can result in a risk to persons, the environment and equipment.

- ▶ Observe the information in the material safety data sheet for the corresponding medium.
- ▶ Wash or clean the dismantled instrument, in order to protect persons and the environment from exposure to residual media.

11.1 Dismounting



WARNING!

Risk of burns

During dismantling there is a risk of dangerously hot media escaping.

- ▶ Let the instrument cool down sufficiently before dismantling it!

Only disconnect the resistance thermometer once the system has been depressurised!

11. Dismounting, return and disposal

EN

11.2 Return

Strictly observe the following when shipping the instrument:

All instruments delivered to WIKA must be free from any kind of hazardous substances (acids, bases, solutions, etc.) and must therefore be cleaned before being returned.

When returning the instrument, use the original packaging or a suitable transport packaging.

To avoid damage:

1. Wrap the instrument in an antistatic plastic film.
2. Place the instrument, along with shock-absorbent material, in the packaging.
Place shock-absorbent material evenly on all sides of the transport packaging.
3. If possible, place a bag containing a desiccant inside the packaging.
4. Label the shipment as carriage of a highly sensitive measuring instrument.



Information on returns can be found under the heading “Service” on our local website.

11.3 Disposal

Incorrect disposal can put the environment at risk.

Dispose of instrument components and packaging materials in an environmentally compatible way and in accordance with the country-specific waste disposal regulations.



Do not dispose of with household waste. Ensure a proper disposal in accordance with national regulations.

12. Specifications

12. Specifications

Measuring element

Type of measuring element

Version 4 ... 20 mA	Pt1000 (measuring current < 0.3 mA; self-heating can be ignored)
Version Pt100	Pt100 (measuring current 0,1 ... 1,0 mA)

Connection method

Version 4 ... 20 mA	2-wire
Version Pt100	<ul style="list-style-type: none">■ 2-wire■ 3-wire■ 4-wire

Tolerance value of the measuring element ¹⁾ per IEC 60751

Version 4 ... 20 mA	Class A
Version Pt100	<ul style="list-style-type: none">■ Class A■ Class B at 2-wire

1) Depending on the process connection, the deviation can be bigger.

Accuracy specifications (4 ... 20 mA version)

Tolerance value of the measuring element ¹⁾ (IEC 60751)	Class A
Measuring deviation of the transmitter (IEC 62828)	± 0.25 K or 0.25 % of the set span (greater value applies)
Total measuring deviation (IEC 62828) ²⁾	Measuring deviation of the measuring element + transmitter
Influence of ambient temperature	0.1 % of the set measuring span / 10 K T _a
Influence of supply voltage	± 0.025 % of the set measuring span / V (depending on the supply voltage U _B)
Influence of load	± 0.05 % of the set measuring span / 100 Ω
Linearisation	Linear to temperature per IEC 60751
Output error	± 0.1 % ³⁾ of the set measuring span

12. Specifications

Accuracy specifications (4 ... 20 mA version)

Reference conditions

Ambient temperature T_a ref	23 °C
Supply voltage U_B ref	DC 24 V

- 1) Depending on the process connection, the deviation can be bigger.
- 2) During transient interferences (e.g. burst, surge, ESD) take into account an increased measuring deviation of up to 2.5 %.
- 3) ± 0.2 % for start of measuring range less than 0 °C [32 °F]

Measuring range

Temperature range

Version 4 ... 20 mA	Without neck tube -30 ... +150 °C [-22 ... +302 °F] With neck tube -30 ... +250 °C [-22 ... +482 °F] ¹⁾	
Version Pt100	Class A	Without neck tube -30 ... +150 °C [-22 ... +302 °F] With neck tube -30 ... +250 °C [-22 ... +482 °F] ¹⁾
	Class B	Without neck tube -50 ... +150 °C [-58 ... +302 °F] With neck tube -50 ... +250 °C [-58 ... +482 °F] ¹⁾
Unit (4 ... 20 mA version)	Configurable °C, °F, K	
Temperature at the connector (Pt100 version)	Max. 85 °C [185 °F]	
Measuring span (4 ... 20 mA version)	Minimum 20 K, maximum 300 K	

- 1) The temperature transmitter should therefore be protected from temperatures over 85 °C [185 °F].

12. Specifications

Process connection

Type of process connection

- G ¼ B
- G ⅜ B
- G ½ B
- ¼ NPT
- ½ NPT
- M12 x 1.5
- M20 x 1.5

Protection tube

Protection tube diameter

- 3 mm [0.12 in]
- 6 mm [0.24 in]
- 8 mm [0.31 in]

Insertion length U_1

- 50 mm [1.97 in]
- 75 mm [2.95 in] ¹⁾
- 100 mm [3.94 in] ¹⁾
- 120 mm [4.72 in] ¹⁾
- 150 mm [5.91 in] ¹⁾
- 200 mm [7.87 in] ¹⁾
- 250 mm [9.84 in] ¹⁾
- 300 mm [11.81 in] ¹⁾
- 350 mm [13.78 in] ¹⁾
- 400 mm [15.75 in] ¹⁾

Other insertion lengths on request

Material (wetted)

Stainless steel 1.4571

1) Not for protection tube diameter 3 mm [0.12 in]

If the resistance thermometer is to be operated in an additional protection tube, a spring-loaded compression fitting must be used.

Output signal (4 ... 20 mA version)

Analogue output

4 ... 20 mA, 2-wire

Load R_A

$R_A \leq (U_B - 10 V) / 23 \text{ mA}$ with R_A in Ω and U_B in V

The permissible load depends on the loop supply voltage.

12. Specifications

Output signal (4 ... 20 mA version)

Factory configuration

Measuring range	Measuring range 0 ... 150 °C [32 ... 302 °F]
	Other measuring ranges are adjustable
Current values for error signalling	Configurable in accordance with NAMUR NE 043 downscale < 3.6 mA (3.5 mA) upscale > 21.0 mA (21.5 mA)
Current value for sensor short-circuit	Not configurable in accordance with NAMUR NE 043 downscale ≤ 3.6 mA (3.5 mA)

Communication

Info data	Tag no., description and user message can be stored in transmitter
Configuration and calibration data	Permanently stored
Configuration software	WIKAsoft-TT → Configuration software (multilingual) as a download from www.wika.com

Voltage supply

Supply voltage U_B	DC 10 ... 30 V
Supply voltage input	Protected against reverse polarity
Permissible residual ripple of supply voltage	10 % generated by U_B < 3 % ripple of the output current

Time response

Switch-on delay, electrical	Max. 4 s (time before the first measured value)
Warm-up time	After approx. 4 minutes, the instrument will function to the specifications (accuracy) given in the data sheet.

EN

12. Specifications

Operating conditions

Ambient temperature range	-40 ... +85 °C [-40 ... +185 °F]
Storage temperature range	-40 ... +85 °C [-40 ... +185 °F]
Climate class (IEC 60654-1)	Cx (-40 ... +85 °C [-40 ... +185 °F], 5 ... 95 % r. h.)
Maximum permissible humidity, condensation	100 % r. h., condensation allowed
Maximum operating pressure ^{1) 2)}	
For protection tube Ø 3 mm [0.12 in]	140 bar [2,030 psi]
For protection tube Ø 6 mm [0.24 in]	270 bar [3,916 psi]
For protection tube Ø 8 mm [0.31 in]	400 bar [5,801 psi]
Salt fog	IEC 60068-2-11
Vibration resistance (IEC 60751)	10 ... 2,000 Hz, 8 g ¹⁾
Shock resistance (IEC 60068-2-27)	50 g, 6 ms, 3 axes, 3 directions, three times per direction
Ingress protection (IP code)	IP65 per IEC/EN 60529 The stated ingress protection only applies when plugged in using line connectors that have the appropriate ingress protection.
Weight	approx. 0.2 ... 0.7 kg [0.44 ... 1.54 lbs] - depending on version

1) Dependent on the instrument version

2) Reduced operating pressure when using a compression fitting:

Stainless steel = max. 100 bar [1,450 psi] / PTFE = max. 8 bar [116 psi]

For further specifications see WIKA data sheet TE 60.36 and the order documentation.

Inhalt

1. Allgemeines	32
2. Aufbau und Funktion	33
3. Sicherheit	36
4. Transport, Verpackung und Lagerung	40
5. Inbetriebnahme, Betrieb	41
6. Konfiguration	46
7. Konfigurationssoftware WIKAsoft-TT	47
8. Programmierereinheit PU-548 anschließen	49
9. Störungen	50
10. Wartung und Reinigung	51
11. Demontage, Rücksendung und Entsorgung	52
12. Technische Daten	54

Konformitätserklärungen finden Sie online unter www.wika.de.

1. Allgemeines

1. Allgemeines

- Das in der Betriebsanleitung beschriebene Widerstandsthermometer wird nach dem aktuellen Stand der Technik konstruiert und gefertigt. Alle Komponenten unterliegen während der Fertigung strengen Qualitäts- und Umweltkriterien. Unsere Managementsysteme sind nach ISO 9001 und ISO 14001 zertifiziert.
- Diese Betriebsanleitung gibt wichtige Hinweise zum Umgang mit dem Gerät. Voraussetzung für sicheres Arbeiten ist die Einhaltung aller angegebenen Sicherheitshinweise und Handlungsanweisungen.
- Die für den Einsatzbereich des Gerätes geltenden örtlichen Unfallverhütungsvorschriften und allgemeinen Sicherheitsbestimmungen einhalten.
- Das Fachpersonal muss die Betriebsanleitung vor Beginn aller Arbeiten sorgfältig durchgelesen und verstanden haben.
- Technische Änderungen vorbehalten.
- Weitere Informationen:
 - Internet-Adresse: www.wika.de / www.wika.com
 - zugehöriges Datenblatt: TE 60.36
 - Anwendungsberater: Tel.: +49 9372 132-0
info@wika.de

DE

2. Aufbau und Funktion

2.1 Überblick



- ① Winkelstecker DIN EN 175301-803 Form A
- ② Prozessanschluss
- ③ Fühlerrohr

2.2 Beschreibung

Das Widerstandsthermometer Typ TR36 besteht aus einem Schutzrohr mit festem Prozessanschluss und wird direkt in den Prozess eingeschraubt.

Soll das Widerstandsthermometer in einem zusätzlichen Schutzrohr betrieben werden, muss eine gefederte Klemmverschraubung verwendet werden.

Es ist stoß- und schwingungsfest aufgebaut und alle elektrischen Bauteile sind gegen Spritzwasser geschützt. Die Schwingungsbeständigkeit entspricht der IEC 60751 (8 g, abhängig von der Geräteausführung). Die Stoßfestigkeit entspricht für alle Versionen den Anforderungen der

2. Aufbau und Funktion

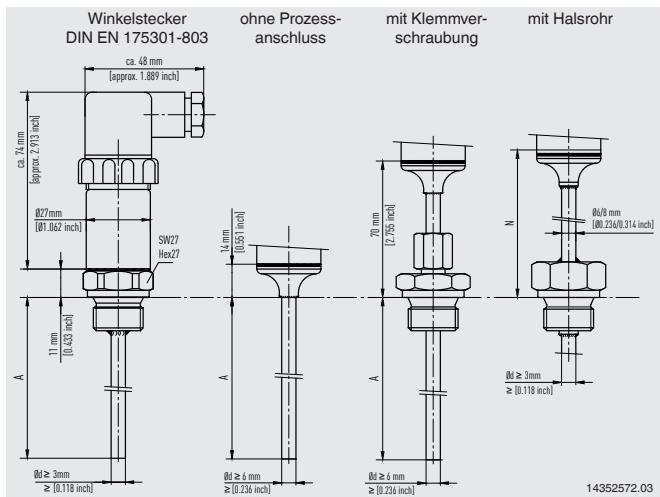
IEC 60751. Insbesondere bei erhöhten Umgebungstemperaturen oder starker Schwingungsbelastung darauf achten, dass mechanische Belastungen am Stecker minimiert werden.

Die elektrische Kontaktierung erfolgt mittels Winkelstecker DIN 175301-803, Form A.

DE

2.3 Abmessungen in mm

- Prozessanschluss mit zylindrischem Gewinde (bzw. ohne Prozessanschluss)



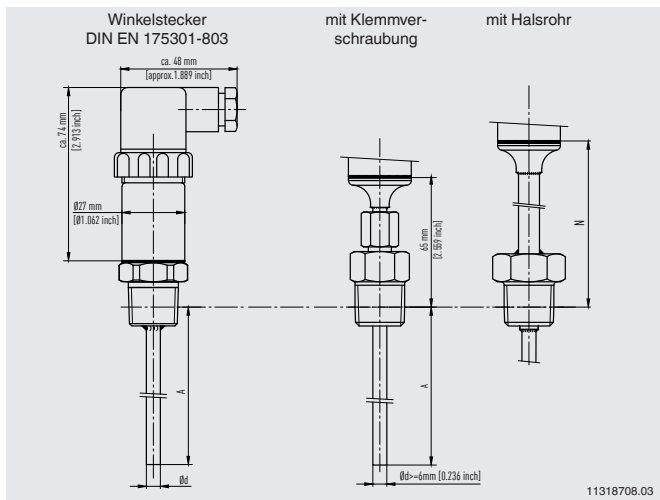
Bei Prozesstemperatur $> 150 \text{ °C}$ [302 °F] ist eine Halsrohrlänge N von 70 mm erforderlich.

Legende:

- A Einbaulänge
- N Halsrohrlänge (70 mm)
- Ød Fühlerdurchmesser

2. Aufbau und Funktion

■ Prozessanschluss mit kegeligem Gewinde



Bei Prozesstemperatur > 150 °C [302 °F] ist eine Halsrohrlänge N von 70 mm erforderlich.

Legende:

A Einbaulänge

N Halsrohrlänge (70 mm)

Ød Fühlerdurchmesser

2.4 Lieferumfang

Lieferumfang mit dem Lieferschein abgleichen.

3. Sicherheit

3. Sicherheit

3.1 Symbolerklärung



WARNUNG!

... weist auf eine möglicherweise gefährliche Situation hin, die zum Tod oder zu schweren Verletzungen führen kann, wenn sie nicht gemieden wird.



VORSICHT!

... weist auf eine möglicherweise gefährliche Situation hin, die zu geringfügigen oder leichten Verletzungen bzw. Sach- und Umweltschäden führen kann, wenn sie nicht gemieden wird.



GEFAHR!

... kennzeichnet Gefährdungen durch elektrischen Strom. Bei Nichtbeachtung der Sicherheitshinweise besteht die Gefahr schwerer oder tödlicher Verletzungen.



WARNUNG!

... weist auf eine möglicherweise gefährliche Situation hin, die durch heiße Oberflächen oder Flüssigkeiten zu Verbrennungen führen kann, wenn sie nicht gemieden wird.



Information

... hebt nützliche Tipps und Empfehlungen sowie Informationen für einen effizienten und störungsfreien Betrieb hervor.

3.2 Bestimmungsgemäße Verwendung

Das Widerstandsthermometer Typ TR36 wird als universelles Thermometer zum Messen von flüssigen und gasförmigen Messstoffen im Bereich $-50 \dots +150 \text{ °C}$ [$-58 \dots +302 \text{ °F}$] (ohne Halsrohr) und $-50 \dots +250 \text{ °C}$ [$-58 \dots +482 \text{ °F}$] (mit Halsrohr) verwendet. Es ist einsetzbar für Drücke bis 140 bar [2.030 psi], 270 bar [3.916 psi] oder 400 bar [5,801 psi] - abhängig vom Schutzrohrdurchmesser.

3. Sicherheit

Das Gerät ist ausschließlich für den hier beschriebenen bestimmungsgemäßen Verwendungszweck konzipiert und konstruiert und darf nur dementsprechend verwendet werden.

Die technischen Spezifikationen in dieser Betriebsanleitung sind einzuhalten. Eine unsachgemäße Handhabung oder ein Betreiben des Gerätes außerhalb der technischen Spezifikationen macht die sofortige Stilllegung und Überprüfung durch einen autorisierten WIKA-Servicearbeiter erforderlich.

DE

Ansprüche jeglicher Art aufgrund von nicht bestimmungsgemäßer Verwendung sind ausgeschlossen.

3.3 Fehlgebrauch



WARNUNG!

Verletzungen durch Fehlgebrauch

Fehlgebrauch des Gerätes kann zu gefährlichen Situationen und Verletzungen führen.

- ▶ Eigenmächtige Umbauten am Gerät unterlassen.
- ▶ Gerät nicht in explosionsgefährdeten Bereichen einsetzen.
- ▶ Gerät nicht für abrasive und viskose Messstoffe verwenden.

Jede über die bestimmungsgemäße Verwendung hinausgehende oder andersartige Benutzung gilt als Fehlgebrauch.

Dieses Gerät nicht in Sicherheits- oder in Not-Aus-Einrichtungen benutzen.

3.4 Verantwortung des Betreibers

Das Gerät wird im gewerblichen Bereich eingesetzt. Der Betreiber unterliegt daher den gesetzlichen Pflichten zur Arbeitssicherheit.

Die Sicherheitshinweise dieser Betriebsanleitung, sowie die für den Einsatzbereich des Gerätes gültigen Sicherheits-, Unfallverhütungs- und Umweltschutzvorschriften einhalten.

3. Sicherheit

Der Betreiber ist verpflichtet das Typenschild lesbar zu halten.

Für ein sicheres Arbeiten am Gerät muss der Betreiber sicherstellen,

- dass eine entsprechende Erste-Hilfe-Ausrüstung vorhanden ist und bei Bedarf jederzeit Hilfe zur Stelle ist.
- dass das Bedienpersonal regelmäßig in allen zutreffenden Fragen von Arbeitssicherheit, Erste Hilfe und Umweltschutz unterwiesen wird, sowie die Betriebsanleitung und insbesondere die darin enthaltenen Sicherheitshinweise kennt.
- dass das Gerät gemäß der bestimmungsgemäßen Verwendung für den Anwendungsfall geeignet ist.
- dass die persönliche Schutzausrüstung verfügbar ist.

DE

3.5 Personalqualifikation



WARNUNG!

Verletzungsgefahr bei unzureichender Qualifikation!

Unsachgemäßer Umgang kann zu erheblichen Personen- und Sachschäden führen.

- ▶ Die in dieser Betriebsanleitung beschriebenen Tätigkeiten nur durch Fachpersonal nachfolgend beschriebener Qualifikation durchführen lassen.
- ▶ Unqualifiziertes Personal von den Gefahrenbereichen fernhalten.

Elektrofachpersonal

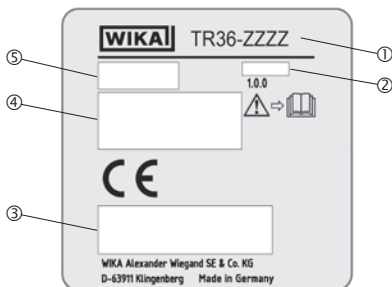
Das Elektrofachpersonal ist aufgrund seiner fachlichen Ausbildung, Kenntnisse und Erfahrungen sowie Kenntnis der landesspezifischen Vorschriften, geltenden Normen und Richtlinien in der Lage, Arbeiten an elektrischen Anlagen auszuführen und mögliche Gefahren selbstständig zu erkennen und zu vermeiden. Das Elektrofachpersonal ist speziell für das Arbeitsumfeld, in dem es tätig ist, ausgebildet und kennt die relevanten Normen und Bestimmungen. Das Elektrofachpersonal muss die Bestimmungen der geltenden gesetzlichen Vorschriften zur Unfallverhütung erfüllen.

Spezielle Einsatzbedingungen verlangen weiteres entsprechendes Wissen, z. B. über aggressive Messstoffe.

3. Sicherheit

3.6 Beschilderung, Sicherheitskennzeichnungen

Typenschilder (Beispiel)



DE

- ① Typ
- ② Herstellungsdatum (Jahr-Monat)
- ③ Zulassungslogos
- ④ Angaben zur Ausführung (Messelement, Ausgangssignal, Messbereich ...)
- ⑤ Seriennummer, Tag-Nummer



Vor Montage und Inbetriebnahme des Gerätes unbedingt die Betriebsanleitung lesen!

4. Transport, Verpackung und Lagerung

4.1 Transport

Gerät auf eventuell vorhandene Transportschäden untersuchen. Offensichtliche Schäden unverzüglich mitteilen und beschädigte Geräte nicht verwenden.



VORSICHT!

Beschädigungen durch unsachgemäßen Transport

Bei unsachgemäßem Transport können Sachschäden in erheblicher Höhe entstehen.

- ▶ Beim Abladen der Packstücke bei Anlieferung sowie innerbetrieblichem Transport vorsichtig vorgehen und die Symbole auf der Verpackung beachten.
- ▶ Bei innerbetrieblichem Transport die Hinweise unter Kapitel 4.2 „Verpackung und Lagerung“ beachten.

Wird das Gerät von einer kalten in eine warme Umgebung transportiert, so kann durch Kondensatbildung eine Störung der Gerätefunktion eintreten. Vor einer erneuten Inbetriebnahme die Angleichung der Gerätetemperatur an die Raumtemperatur abwarten.

4.2 Verpackung und Lagerung

Verpackung erst unmittelbar vor der Montage entfernen.

Die Verpackung aufbewahren, denn diese bietet bei einem Transport einen optimalen Schutz (z. B. wechselnder Einbauort, Reparatursendung).

Zulässige Bedingungen am Lagerort:

- Lagertemperatur: -40 ... +85 °C [-40 ... +185 °F]
- Feuchtigkeit: 5 ... 95 % r. F. (nicht kondensierend)

Folgende Einflüsse vermeiden:

- Direktes Sonnenlicht oder Nähe zu heißen Gegenständen
- Mechanische Vibration, mechanischer Schock (hartes Aufstellen)
- Ruß, Dampf, Staub und korrosive Gase
- Explosionsgefährdete Umgebung, entzündliche Atmosphären

4. Transport ... / 5. Inbetriebnahme, Betrieb

Das Gerät in der Originalverpackung an einem Ort, der die oben gelisteten Bedingungen erfüllt, lagern. Wenn die Originalverpackung nicht vorhanden ist, dann das Gerät wie folgt verpacken und lagern:

1. Das Gerät in eine antistatische Plastikfolie einhüllen.
2. Das Gerät mit dem Dämmmaterial in der Verpackung platzieren.
3. Bei längerer Einlagerung (mehr als 30 Tage) einen Beutel mit Trocknungsmittel der Verpackung beilegen.

DE



Vor der Einlagerung des Gerätes (nach Betrieb) alle anhaftenden Messstoffreste entfernen. Dies ist besonders wichtig, wenn der Messstoff gesundheitsgefährdend ist, wie z. B. ätzend, giftig, krebserregend, radioaktiv, usw.

5. Inbetriebnahme, Betrieb



WARNING!

Mechanische Belastungen der elektrischen Anschlüsse und der Gehäuse vermeiden. Alle Anschlüsse nur im drucklosen und abgekühlten Zustand öffnen.

Maximal zulässige Temperaturen:

- Am Gehäuse mit Transmitter: 85 °C [185 °F]
- Klasse A:
Ohne Halsrohr -30 ... +150 °C [-22 ... +302 °F]
Mit Halsrohr -30 ... +250 °C [-22 ... +482 °F]
- Klasse B:
Ohne Halsrohr -50 ... +150 °C [-58 ... +302 °F]
Mit Halsrohr -50 ... +250 °C [-58 ... +482 °F]



GEFAHR!

Lebensgefahr durch elektrischen Strom

Bei Berührung mit spannungsführenden Teilen besteht unmittelbare Lebensgefahr.

- ▶ Einbau und Montage des Gerätes dürfen nur durch Fachpersonal erfolgen.

5. Inbetriebnahme, Betrieb

5.1 Montage

Diese Widerstandsthermometer sind vorgesehen zum direkten Einschrauben in den Prozess. Einbaulänge sowie Strömungsgeschwindigkeit und Viskosität des Prozessmediums können sich reduzierend auf die max. Schutzrohrbelastung auswirken.

DE

Soll das Widerstandsthermometer in einem zusätzlichen Schutzrohr betrieben werden, muss eine gefederte Klemmverschraubung verwendet werden.

Das Gehäuse muss gegen elektromagnetische Felder und elektrostatistische Aufladungen geerdet werden. Es muss nicht gesondert an das Potentialausgleichsystem angeschlossen werden, wenn es festen und gesicherten metallischen Kontakt mit dem Behälter oder dessen Konstruktionsteilen oder Rohrleitungen hat, sofern diese mit dem Potentialausgleichsystem verbunden sind.

Bei einem nichtmetallischen Kontakt mit dem Behälter oder dessen Konstruktionsteilen bzw. Rohrleitungen muss das Gerät mit einem Potentialausgleich versehen werden.

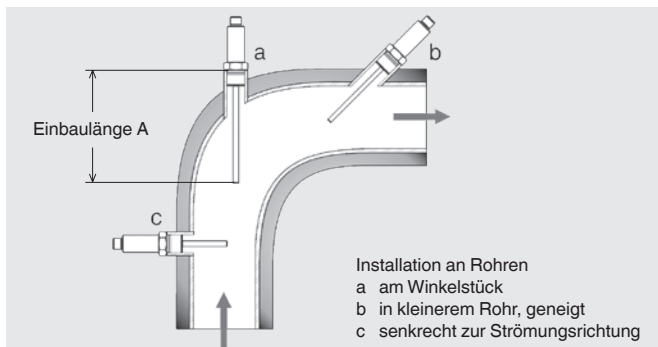


WARNUNG!

Reparaturen sowie bauliche Veränderungen sind nicht zulässig und führen zur Erlöschung der Garantie.

5. Inbetriebnahme, Betrieb

Einbaubeispiele



DE

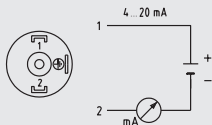
Angaben zu den Einschraubblöchern der DIN 3852 bzw. für NPT-Gewinde der ANSI B 1.20 entnehmen.

5.1.1 Anzugsdrehmomente für Klemmverschraubungen

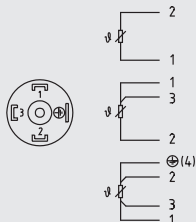
Dichtung	Umdrehungen	Max. Druck in bar
Klemmring CrNi-Stahl	1 ¼ ... 1 ½	100
Schneidring CrNi-Stahl	1 ¼ ... 1 ½	100
Klemmring PTFE	1 ¼ ... 1 ½	8

5.2 Elektrischer Anschluss

Ausgangssignal 4 ... 20 mA
 Winkelstecker DIN EN 175301-803



Mit direktem Sensorausgang
 Winkelstecker DIN EN 175301-803



5. Inbetriebnahme, Betrieb

Ausführung mit Winkelstecker (DIN EN 175301-803):

Bei Litzenadern empfehlen wir das Verwenden von gecrimpten Aderendhülsen.

Zum Sicherstellen der Schutzart IP65:

- Immer die Silikon-Dichtung verwenden
- Verriegelungsschraube anziehen
- Kabeleinführung sorgfältig ausführen

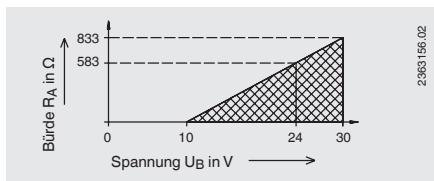
Dies ist ein Betriebsmittel der Schutzklasse 3 zum Anschluss an Kleinspannungen, die von der Netzspannung oder Spannung größer AC 50 V bzw. DC 120 V getrennt sind. Zu bevorzugen ist ein Anschluss an SELV- oder PELV-Stromkreise; alternativ ist eine Schutzmaßnahme aus HD 60346-4-41 (DIN VDE 0100-410) zu empfehlen.

Alternativ für Nordamerika

Der Anschluss kann auch an „Class 2 Circuits“ oder „Class 2 Power Units“ gemäß CEC (Canadian Electrical Code) oder NEC (National Electrical Code) erfolgen.

Bürdendiagramm

Die zulässige Bürde hängt von der Spannung der Schleifenversorgung ab. Bei Kommunikation mit dem Gerät, mit Programmiereinheit PU-548, ist eine Bürde von maximal 350 Ω zulässig.



5. Inbetriebnahme, Betrieb

5.3 Verhalten des elektrischen Ausgangssignals 4 ... 20 mA

■ Fühlerbruch und Kurzschluss

Fühlerbruch bzw. Kurzschluss werden nach sicherem Erkennen (nach ca. 1 Sekunde) signalisiert. Wird dieser Fehler jedoch durch eine Fehlfunktion verursacht, so muss für ebenfalls ca. 1 Sekunde ein relevantes Messsignal anliegen, um wieder in den Messmodus zu gelangen. Ab dem Zeitpunkt der Erkennung bis zur Fehlersignalisierung wird der letzte relevante Messwert auf der Stromschleife ausgegeben.

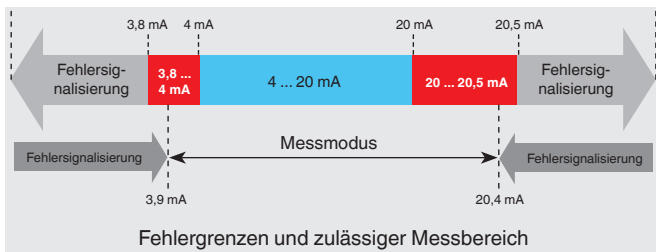
Somit wird im Falle eines „wahren“ Fühlerbruches bzw. Kurzschlusses dieser auch dauerhaft signalisiert. Im Falle eines „falschen“ Fühlerbruches bzw. Kurzschlusses hat der Transmitter die Möglichkeit, wieder in den Messbetrieb zu gelangen.

■ Messstofftemperatur außerhalb der Spanne

Bei einer Überschreitung der im Transmitter konfigurierten Messstofftemperatur läuft der Transmitter noch linear in folgende Grenzen: 3,8 mA (MBA); 20,5 mA (MBE). Werden diese überschritten, so wird ein Fehler signalisiert.

■ Hysterese beim Rücklauf in die Messspanne

Nach einer Überschreitung der linearen Fehlergrenzen muss beim Rücklauf in die Messspanne eine Hysterese von 0,1 mA überschritten werden. Diese Hysterese verhindert, dass der Transmitter am Rande der Fehlergrenzen zwischen Fehlersignalisierung und Messmodus hin- und herspringt.



6. Konfiguration

6. Konfiguration

Das Konfigurieren erfolgt über die USB-Schnittstelle eines PC's via Programmiereinheit Typ PU-548 (Zubehör, Bestellnummer: 14231581). Mittels passendem Adapterkabel wird die Verbindung zum Thermometer hergestellt (Zubehör: DIN-Winkelstecker, Bestellnummer: 14005324).

Einstellbar sind Messbereich, Dämpfung, Fehlersignalisierung, Tag-Nr. sowie weitere Parameter, siehe Konfigurationssoftware.



- Einfache Bedienung
- LED-Statusanzeige
- Kompakte Bauform
- Keine zusätzliche Spannungsversorgung weder für die Programmiereinheit noch für den Transmitter notwendig

(ersetzt Programmiereinheit Typ PU-448)

Der Einstellbereich ist konfigurierbar zwischen $-50 \dots +250 \text{ }^{\circ}\text{C}$ [$-58 \dots +482 \text{ }^{\circ}\text{F}$]. Die Konfigurationssoftware überprüft den gewünschten Messbereich und akzeptiert nur zulässige Werte. Zwischenwerte sind konfigurierbar, die kleinste Schrittweite ist $0,1 \text{ }^{\circ}\text{C}$ oder $0,1 \text{ }^{\circ}\text{F}$. Ausgeliefert werden die Thermometer konfiguriert nach Kundenvorgabe im Rahmen der Konfigurationsmöglichkeiten.

Bitte beachten:

Der Messbereich des Thermometers wird begrenzt durch den Anwendungsbereich des Messelementes, nicht durch den Einstellbereich des Transmitters.

Maximal zulässige Temperaturen:

- Am Gehäuse mit Transmitter: $85 \text{ }^{\circ}\text{C}$ [$185 \text{ }^{\circ}\text{F}$]
- Klasse A:
 - Ohne Halsrohr $-30 \dots +150 \text{ }^{\circ}\text{C}$ [$-22 \dots +302 \text{ }^{\circ}\text{F}$]
 - Mit Halsrohr $-30 \dots +250 \text{ }^{\circ}\text{C}$ [$-22 \dots +482 \text{ }^{\circ}\text{F}$]
- Klasse B:
 - Ohne Halsrohr $-50 \dots +150 \text{ }^{\circ}\text{C}$ [$-58 \dots +302 \text{ }^{\circ}\text{F}$]
 - Mit Halsrohr $-50 \dots +250 \text{ }^{\circ}\text{C}$ [$-58 \dots +482 \text{ }^{\circ}\text{F}$]

7. Konfigurationssoftware WIKAsoft-TT

7. Konfigurationssoftware WIKAsoft-TT

Zur Installation den Anweisungen der Installationsroutine folgen.

7.1 Starten der Software

Die Konfigurationssoftware mit einem Doppelklick auf das WIKAsoft-TT Icon starten.

Nach dem Starten der Software kann die Sprache über Auswahl der entsprechenden Länderflagge geändert werden.

Die Auswahl des COM-Ports erfolgt automatisch.



Nach dem Anschluss eines Transmitters (mit PU-548) kann durch Aktivieren des Start-Buttons die Konfigurationsoberfläche geladen werden.



Die Konfigurationsoberfläche kann nur mit einem angeschlossenen Gerät geladen werden.



7.2 Ablauf Konfiguration

Die Schritte 1 und 2 erfolgen beim Start der Software automatisch.

1. „Gerätedaten laden“
2. „Konfiguration laden“
3. [optional] Schreibschutz aufheben (Schlosssymbol unten rechts)
4. Ändern der gewünschten Parameter
→ Sensor/Messbereich/Fehlersignalisierung etc.
5. „In das Gerät speichern“
6. [optional] Schreibschutz aktivieren
7. [optional] Konfigurationsprotokoll ausdrucken
8. [optional] Test: „Konfiguration laden“ → Konfiguration überprüfen

7.3 Fehlerdiagnose

Hier wird im Fall eines „vom Transmitter detektierten Fehlers“ die Fehlermeldung angezeigt.

Beispiele: Fühlerbruch, Zulässige Höchsttemperatur überschritten etc.
Im Betriebsfall wird hier „Kein Fehler - Kein Wartungsbedarf“ ausgegeben.

7.4 Messwerte

Linienschreiber – Hier wird der Messwertverlauf mit einer konstanten Abtastrate in einem definierten Zeitraster (180 Sekunden) und einer variablen Temperaturachse in Form eines Linienschreiber dargestellt. Die Anzeige dient rein zur Funktionsprüfung und zur Information. Ein Export der Daten ist nicht möglich.

7.5 Mehrere Geräte identisch konfigurieren

■ Erstes Gerät

1. „Konfiguration laden“
2. [optional] Schreibschutz aufheben (Schlosssymbol unten rechts)
3. Ändern der gewünschten Parameter
4. „In das Gerät speichern“
5. [optional] Schreibschutz aktivieren

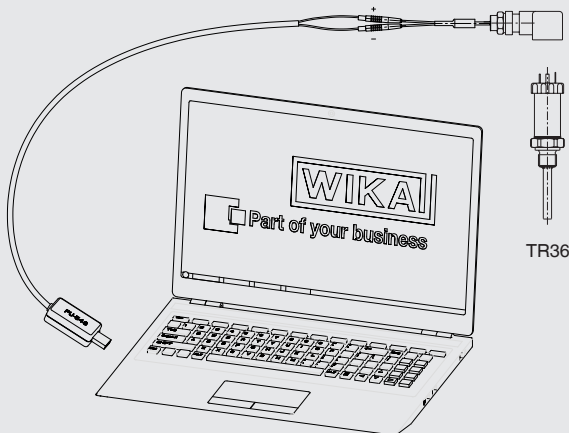
■ Alle folgenden Geräte

1. „Gerätedaten laden“
2. [optional] Schreibschutz aufheben
3. [optional] Ändern der gewünschten Parameter, z. B. Tag-Nummer
4. „In das Gerät speichern“
5. [optional] Schreibschutz aktivieren

8. Programmierereinheit PU-548 anschließen

8. Programmierereinheit PU-548 anschließen

Anschluss PU-548 ↔ Adapterkabel mit Anschluss DIN-Winkelstecker, Form A



14004919.01 + 14006537.01

DE

TR36

(Vorgängermodell, Programmierereinheit Typ PU-448, ebenfalls kompatibel)

9. Störungen

9. Störungen



VORSICHT!

Körperverletzungen, Sach- und Umweltschäden

Können Störungen mit Hilfe der aufgeführten Maßnahmen nicht beseitigt werden, Gerät unverzüglich außer Betrieb setzen.

- ▶ Sicherstellen, dass keine Temperatur bzw. Signal mehr anliegt und gegen versehentliche Inbetriebnahme schützen.
- ▶ Kontakt mit dem Hersteller aufnehmen.
- ▶ Bei notwendiger Rücksendung die Hinweise unter Kapitel 11.2 „Rücksendung“ beachten.



Kontakt Daten siehe Kapitel 1 „Allgemeines“ oder Rückseite der Betriebsanleitung.

Störungen	Ursachen	Maßnahmen
Kein Signal/ Leitungsbruch	Zu hohe mechanische Belastung oder Übertemperatur	Ersatz des Fühlers durch eine geeignete Ausführung
Fehlerhafte Messwerte	Sensordrift durch Übertemperatur	Ersatz des Fühlers durch eine geeignete Ausführung
	Sensordrift durch chemischen Angriff	Medium analysieren
Fehlerhafte Messwerte (zu gering)	Feuchtigkeitseintritt am Kabel	Geeigneten IP-Schutz verwenden
Fehlerhafte Messwerte und zu lange Ansprechzeiten	Falsche Einbaugeometrie, z. B. zu geringe Einbautiefe oder zu hohe Wärmeableitung	Der temperaturempfindliche Bereich des Sensors muss innerhalb des Messstoffes liegen, Oberflächenmessungen müssen isoliert sein
	Ablagerungen auf dem mehrteiligen Schutzrohr	Ablagerungen entfernen
Zeitweise oder sporadische Unterbrechungen des Messwertsignals	Leitungsbruch im Anschlusskabel oder Wackelkontakt durch mechanische Überbelastung	Ersatz des Fühlers oder dickerer Leitungsquerschnitt

9. Störungen / 10. Wartung und Reinigung

Störungen	Ursachen	Maßnahmen
Korrosion	Zusammensetzung des Messstoffes nicht wie angenommen oder geändert	Messstoff analysieren
Signal gestört	Einstreuung durch elektrische Felder oder Erdschleifen	Verwendung von geschirmten Anschlussleitungen, Erhöhung des Abstandes zu Motoren und leistungsführenden Leitungen
	Erdschleifen	Beseitigung von Potentialen, Verwendung von galvanisch getrennten Speisetrennern oder Transmittern

DE

10. Wartung und Reinigung



Kontaktdaten siehe Kapitel 1 „Allgemeines“ oder Rückseite der Betriebsanleitung.

10.1 Wartung

Die hier beschriebenen Widerstandsthermometer sind wartungsfrei und enthalten keinerlei Bauteile, welche repariert oder ausgetauscht werden könnten.

10.2 Reinigung



VORSICHT!

Körperverletzungen, Sach- und Umweltschäden

Eine unsachgemäße Reinigung führt zu Körperverletzungen, Sach- und Umweltschäden. Messstoffreste im ausgebauten Gerät können zur Gefährdung von Personen, Umwelt und Einrichtung führen.

- ▶ Reinigungsvorgang wie folgt beschrieben durchführen.

1. Vor der Reinigung des Gerätes elektrische Anschlüsse trennen.
2. Das Gerät mit einem feuchten Tuch reinigen.
Elektrische Anschlüsse nicht mit Feuchtigkeit in Berührung bringen!



VORSICHT!

Beschädigung des Gerätes

Eine unsachgemäße Reinigung führt zur Beschädigung des Gerätes!

- ▶ Keine aggressiven Reinigungsmittel verwenden.
- ▶ Keine harten und spitzen Gegenstände zur Reinigung verwenden.

3. Ausgebautes Gerät spülen bzw. säubern, um Personen und Umwelt vor Gefährdung durch anhaftende Messstoffreste zu schützen.

11. Demontage, Rücksendung und Entsorgung



WARNUNG!

Körperverletzungen, Sach- und Umweltschäden durch Messstoffreste

Messstoffreste im ausgebauten Gerät können zur Gefährdung von Personen, Umwelt und Einrichtung führen.

- ▶ Angaben im Sicherheitsdatenblatt für den entsprechenden Messstoff beachten.
- ▶ Ausgebautes Gerät spülen bzw. säubern, um Personen und Umwelt vor Gefährdung durch anhaftende Messstoffreste zu schützen.

11.1 Demontage



WARNUNG!

Verbrennungsgefahr

Beim Ausbau besteht Gefahr durch austretende, gefährlich heiße Messstoffe.

- ▶ Vor dem Ausbau das Gerät ausreichend abkühlen lassen!

Widerstandsthermometer nur im drucklosen Zustand demontieren!

11. Demontage, Rücksendung und Entsorgung

DE

11.2 Rücksendung

Beim Versand des Gerätes unbedingt beachten:

Alle an WIKA gelieferten Geräte müssen frei von Gefahrstoffen (Säuren, Laugen, Lösungen, etc.) sein und sind daher vor der Rücksendung zu reinigen.

Zur Rücksendung des Gerätes die Originalverpackung oder eine geeignete Transportverpackung verwenden.

Um Schäden zu vermeiden:

1. Das Gerät in eine antistatische Plastikfolie einhüllen.
2. Das Gerät mit dem Dämmmaterial in der Verpackung platzieren.
Zu allen Seiten der Transportverpackung gleichmäßig dämmen.
3. Wenn möglich einen Beutel mit Trocknungsmittel der Verpackung beifügen.
4. Sendung als Transport eines hochempfindlichen Messgerätes kennzeichnen.



Hinweise zur Rücksendung befinden sich in der Rubrik „Service“ auf unserer lokalen Internetseite.

11.3 Entsorgung

Durch falsche Entsorgung können Gefahren für die Umwelt entstehen. Gerätekomponten und Verpackungsmaterialien entsprechend den landesspezifischen Abfallbehandlungs- und Entsorgungsvorschriften umweltgerecht entsorgen.



Nicht mit dem Hausmüll entsorgen. Für eine geordnete Entsorgung gemäß nationaler Vorgaben sorgen.

12. Technische Daten

12. Technische Daten

Messelement

Art des Messelementes

Ausführung 4 ... 20 mA	Pt1000 (Messstrom < 0,3 mA; Eigenerwärmung kann vernachlässigt werden)
Ausführung Pt100	Pt100 (Messstrom 0,1 ... 1,0 mA)

Schaltungsart

Ausführung 4 ... 20 mA	2-Leiter
Ausführung Pt100	<ul style="list-style-type: none"> ■ 2-Leiter ■ 3-Leiter ■ 4-Leiter

Grenzabweichung des Messelementes ¹⁾ nach IEC 60751

Ausführung 4 ... 20 mA	Klasse A
Ausführung Pt100	<ul style="list-style-type: none"> ■ Klasse A ■ Klasse B bei 2-Leiter

1) Je nach Prozessanschluss kann die Abweichung größer ausfallen.

Genauigkeitsangaben (Ausführung 4 ... 20 mA)

Grenzabweichung des Messelementes ¹⁾ (IEC 60751)	Klasse A
Messabweichung des Messumformers (IEC 62828)	$\pm 0,25$ K oder 0,25 % der eingestellten Spanne (größerer Wert gilt)
Gesamtmessabweichung (IEC 62828) ²⁾	Messabweichung des Messelementes + des Messumformers
Einfluss der Umgebungstemperatur	0,1 % der eingestellten Messspanne / $10 K T_a$
Einfluss der Hilfsenergie	$\pm 0,025$ % der eingestellten Messspanne / V (abhängig von der Hilfsenergie U_B)
Einfluss der Bürde	$\pm 0,05$ % der eingestellten Messspanne / 100Ω
Linearisierung	Temperaturlinear nach IEC 60751
Ausgangsfehler	$\pm 0,1$ % ³⁾ der eingestellten Messspanne

12. Technische Daten

Genauigkeitsangaben (Ausführung 4 ... 20 mA)

Referenzbedingungen

Umgebungstemperatur T_a ref	23 °C
Hilfsenergie U_B ref	DC 24 V

- 1) Je nach Prozessanschluss kann die Abweichung größer ausfallen.
- 2) Während transienten Störbeeinflussungen (z. B. Burst, Surge, ESD) eine erhöhte Messabweichung von bis zu 2,5 % berücksichtigen.
- 3) $\pm 0,2$ % bei Messbereichsanfang kleiner 0 °C [32 °F]

DE

Messbereich

Temperaturbereich

Ausführung 4 ... 20 mA	Ohne Halsrohr -30 ... +150 °C [-22 ... +302 °F] Mit Halsrohr -30 ... +250 °C [-22 ... +482 °F] ¹⁾	
Ausführung Pt100	Klasse A	Ohne Halsrohr -30 ... +150 °C [-22 ... +302 °F] Mit Halsrohr -30 ... +250 °C [-22 ... +482 °F] ¹⁾
	Klasse B	Ohne Halsrohr -50 ... +150 °C [-58 ... +302 °F] Mit Halsrohr -50 ... +250 °C [-58 ... +482 °F] ¹⁾
Einheit (Ausführung 4 ... 20 mA)	Konfigurierbar °C, °F, K	
Temperatur am Stecker (Ausführung Pt100)	Max. 85 °C [185 °F]	
Messspanne (Ausführung 4 ... 20 mA)	Minimal 20 K, maximal 300 K	

- 1) Den Temperaturtransmitter dabei vor Temperaturen über 85 °C [185 °F] schützen.

12. Technische Daten

Prozessanschluss

Art des Prozessanschlusses	<ul style="list-style-type: none">■ G ¼ B■ G ⅜ B■ G ½ B■ ¼ NPT■ ½ NPT■ M12 x 1,5■ M20 x 1,5
-----------------------------------	---

Mehrteiliges Schutzrohr

Schutzrohrdurchmesser	<ul style="list-style-type: none">■ 3 mm [0,12 in]■ 6 mm [0,24 in]■ 8 mm [0,31 in]
Einbaulänge U₁	<ul style="list-style-type: none">■ 50 mm [1,97 in]■ 75 mm [2,95 in] ¹⁾■ 100 mm [3,94 in] ¹⁾■ 120 mm [4,72 in] ¹⁾■ 150 mm [5,91 in] ¹⁾■ 200 mm [7,87 in] ¹⁾■ 250 mm [9,84 in] ¹⁾■ 300 mm [11,81 in] ¹⁾■ 350 mm [13,78 in] ¹⁾■ 400 mm [15,75 in] ¹⁾ <p>Weitere Einbaulängen auf Anfrage</p>
Werkstoff (messstoffberührt)	CrNi-Stahl 1.4571

1) Nicht bei Schutzrohrdurchmesser 3 mm [0,12 in]

Soll das Widerstandsthermometer in einem zusätzlichen Schutzrohr betrieben werden, muss eine gefederte Klemmverschraubung verwendet werden.

Ausgangssignal (Ausführung 4 ... 20 mA)

Analogausgang	4 ... 20 mA, 2-Draht
Bürde R_A	$R_A \leq (U_B - 10\text{ V}) / 23\text{ mA}$ mit R _A in Ω und U _B in V Die zulässige Bürde hängt von der Spannung der Schleifenversorgung.

12. Technische Daten

Ausgangssignal (Ausführung 4 ... 20 mA)

Werkskonfiguration

Messbereich	Messbereich 0 ... 150 °C [32 ... 302 °F] Andere Messbereiche sind einstellbar
Stromwerte für Fehlersignalisierung	Konfigurierbar nach NAMUR NE 043 zusteuernd < 3,6 mA (3,5 mA) aufsteuernd > 21,0 mA (21,5 mA)
Stromwert für Fühlerkurzschluss	Nicht konfigurierbar nach NAMUR NE 043 zusteuernd \leq 3,6 mA (3,5 mA)

Kommunikation

Info-Daten	Tag-Nr., Beschreibung und Anwendernachricht im Transmitter speicherbar
Konfigurations- und Kalibrierungsdaten	Dauerhaft gespeichert
Konfigurationssoftware	WIKAsoft-TT → Konfigurationssoftware (mehrsprachig) als Download von www.wika.de

Spannungsversorgung

Hilfsenergie U_B	DC 10 ... 30 V
Hilfsenergieeingang	Geschützt gegen Verpolung
Zulässige Restwelligkeit der Hilfsenergie	10 % von U_B erzeugt < 3 % Welligkeit des Ausgangsstromes

Zeitverhalten

Einschaltverzögerung, elektrisch	Max. 4 s (Zeit bis zum ersten Messwert)
Aufwärmzeit	Nach ca. 4 Minuten werden die im Datenblatt angegebenen technischen Daten (Genauigkeit) erreicht.

DE

12. Technische Daten

Einsatzbedingungen

Umgebungstemperaturbereich	-40 ... +85 °C [-40 ... +185 °F]
Lagertemperaturbereich	-40 ... +85 °C [-40 ... +185 °F]
Klimaklasse (IEC 60654-1)	Cx (-40 ... +85 °C [-40 ... +185 °F], 5 ... 95 % r. F.)
Maximal zulässige Feuchte, Betauung	100 % r. F., Betauung zulässig
Maximaler Betriebsdruck ^{1) 2)}	
Bei Schutzrohr-Ø 3 mm [0,12 in]	140 bar [2.030 psi]
Bei Schutzrohr-Ø 6 mm [0,24 in]	270 bar [3.916 psi]
Bei Schutzrohr-Ø 8 mm [0,31 in]	400 bar [5.801 psi]
Salznebel	IEC 60068-2-11
Schwingungsbeständigkeit (IEC 60751)	10 ... 2.000 Hz, 8 g ¹⁾
Schockfestigkeit (IEC 60068-2-27)	50 g, 6 ms, 3 Achsen, 3 Richtungen, 3-mal je Richtung
Schutzart (IP-Code)	IP65 nach IEC/EN 60529 Die angegebenen Schutzarten gelten nur im gesteckten Zustand mit Leitungssteckern entsprechender Schutzart.
Gewicht	Ca. 0,2 ... 0,7 kg [0,44 ... 1,54 lbs] - je nach Ausführung

1) Abhängig von der Geräteausführung

2) Reduzierter Betriebsdruck bei Verwendung einer Klemmverschraubung:
CrNi-Stahl = max. 100 bar [1.450 psi] / PTFE = max. 8 bar [116 psi]

Weitere technische Daten siehe WIKA-Datenblatt TE 60.36 und Bestellunterlagen.

Sommaire

1. Généralités	60
2. Conception et fonction	61
3. Sécurité	64
4. Transport, emballage et stockage	68
5. Mise en service, utilisation	69
6. Configuration	74
7. Logiciel de configuration WIKAsoft-TT	75
8. Connexion de l'unité de programmation PU-548	77
9. Dysfonctionnements	78
10. Entretien et nettoyage	79
11. Démontage, retour et mise au rebut	80
12. Spécifications	82

Déclarations de conformité disponibles sur www.wika.fr.

1. Généralités

1. Généralités

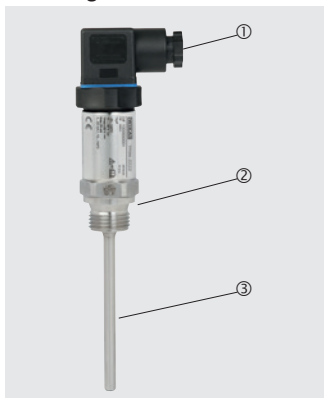
FR

- La sonde à résistance décrite dans le mode d'emploi est conçue et fabriquée selon les dernières technologies en vigueur. Tous les composants sont soumis à des critères de qualité et d'environnement stricts durant la fabrication. Nos systèmes de gestion sont certifiés selon ISO 9001 et ISO 14001.
- Ce mode d'emploi donne des indications importantes concernant l'utilisation de l'instrument. Il est possible de travailler en toute sécurité avec ce produit en respectant toutes les consignes de sécurité et d'utilisation.
- Respecter les prescriptions locales de prévention contre les accidents et les prescriptions générales de sécurité en vigueur pour le domaine d'application de l'instrument.
- Le personnel qualifié doit, avant de commencer toute opération, avoir lu soigneusement et compris le mode d'emploi.
- Sous réserve de modifications techniques.
- Pour obtenir d'autres informations :
 - Consulter notre site Internet : www.wika.fr
 - Fiche technique correspondante : TE 60.36
 - Conseiller applications : Tél.: 0 820 95 10 10 (0,15 €/min)
info@wika.fr

2. Conception et fonction

2. Conception et fonction

2.1 Vue générale



FR

- ① Connecteur coudé DIN EN 175301-803 forme A
- ② Raccord process
- ③ Tube de capteur

2.2 Description

La sonde à résistance type TR36 est composée d'un doigt de gant/tube de protection avec un raccord process fixe et est vissée directement dans le process.

Si la sonde à résistance doit fonctionner dans un tube de protection supplémentaire, il faudra utiliser un raccord coulissant monté sur ressort.

Elles sont conçues de manière à résister aux chocs et vibrations, et tous les composants électriques sont protégés contre les éclaboussures. La résistance aux vibrations est conforme à la norme CEI 60751 (8 g, en fonction de la version de l'instrument). La résistance aux chocs de l'ensemble des versions remplit les exigences de la norme CEI 60751.

2. Conception et fonction

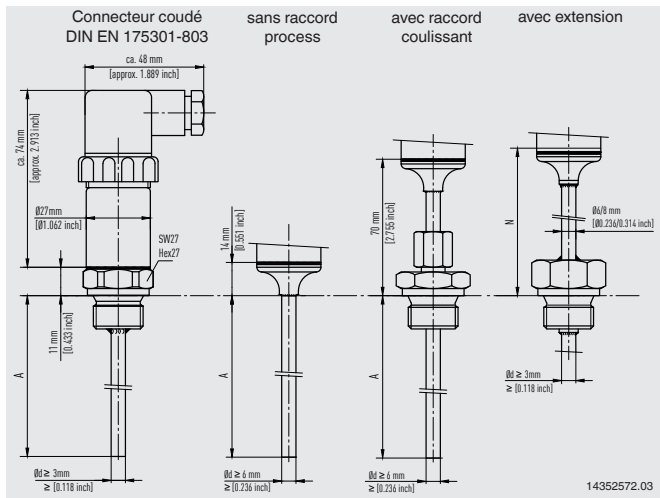
Surtout dans le cas de températures ambiantes élevées ou de fortes vibrations, veillez à ce que les charges mécaniques au niveau du connecteur soient minimisées.

FR

Le raccordement électrique est fait par un connecteur coudé DIN 175301-803, forme A.

2.3 Dimensions en mm

■ Raccord process avec filetage parallèle (ou sans raccord process)



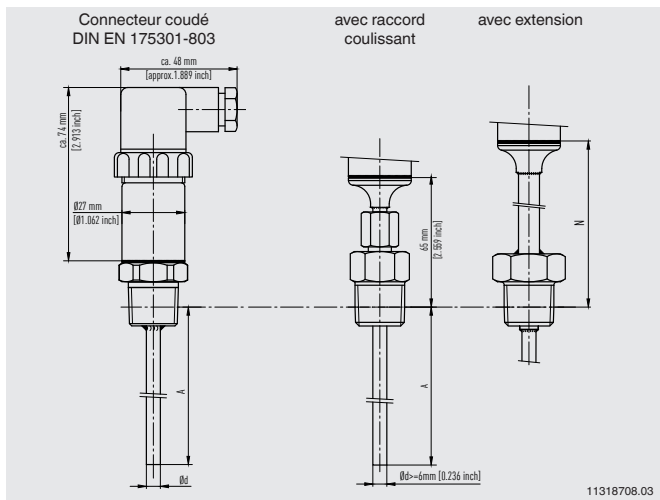
A une température de process > 150 °C [302 °F], une longueur d'extension N de 70 mm est nécessaire.

Légende :

- A Longueur utile
- N Longueur totale extension (70 mm)
- Ød Diamètre de la sonde

2. Conception et fonction

■ Raccord process avec filetage conique



A une température de process > 150 °C [302 °F], une longueur d'extension N de 70 mm est nécessaire.

Légende :

- A Longueur utile
- N Longueur totale extension (70 mm)
- $\varnothing d$ Diamètre de la sonde

2.4 Détail de la livraison

Comparer le détail de la livraison avec le bordereau de livraison.

3. Sécurité

3. Sécurité

3.1 Explication des symboles

FR



AVERTISSEMENT !

... indique une situation présentant des risques susceptibles de provoquer la mort ou des blessures graves si elle n'est pas évitée.



ATTENTION !

... indique une situation potentiellement dangereuse et susceptible de provoquer de légères blessures ou des dommages à l'équipement ou l'environnement si elle n'est pas évitée.



DANGER !

... indique les dangers liés au courant électrique. Danger de blessures graves ou mortelles en cas de non respect des consignes de sécurité.



AVERTISSEMENT !

... indique une situation présentant des risques susceptibles de provoquer des brûlures dues à des surfaces ou liquides chauds si elle n'est pas évitée.



Information

... met en exergue des conseils et recommandations utiles de même que des informations permettant d'assurer un fonctionnement efficace et normal.

3.2 Utilisation conforme à l'usage prévu

La sonde à résistance type TR36 est utilisée comme thermomètre universel et permet de mesurer des températures allant de -50 ... +150 °C [-58 ... +302 °F] (sans extension) et de -50 ... +250 °C [-58 ... +482 °F] (avec extension) dans des fluides liquides et gazeux. Elle peut être utilisée pour des pressions allant jusqu'à 140 bar [2.030 psi], 270 bar [3.916 psi] ou 400 bar [5.801 psi] - en fonction du diamètre de tube de protection.

3. Sécurité

L'instrument est conçu et construit exclusivement pour une utilisation conforme à l'usage prévu décrit ici et ne doit être utilisé qu'en conséquence.

Les spécifications techniques mentionnées dans ce mode d'emploi doivent être respectées. En cas d'utilisation non conforme ou de fonctionnement de l'instrument en dehors des spécifications techniques, un arrêt et contrôle doivent être immédiatement effectués par un collaborateur autorisé du service de WIKA.

Aucune réclamation ne peut être recevable en cas d'utilisation non conforme à l'usage prévu.

3.3 Utilisation inappropriée



AVERTISSEMENT !

Blessures à cause d'une utilisation inappropriée

Une utilisation inappropriée peut conduire à des situations dangereuses et à des blessures.

- ▶ S'abstenir de modifications non autorisées sur l'instrument.
- ▶ Ne pas utiliser l'instrument en zone explosive.
- ▶ Ne pas utiliser l'instrument avec un fluide abrasif ou visqueux.

Toute utilisation différente ou au-delà de l'utilisation prévue est considérée comme inappropriée.

Ne pas utiliser cet instrument dans des dispositifs de sécurité ou d'arrêt d'urgence.

3.4 Responsabilité de l'opérateur

L'instrument est prévu pour un usage dans le domaine industriel.

L'opérateur est de ce fait responsable des obligations légales en matière de sécurité du travail.

Les instructions de sécurité de ce mode d'emploi comme les réglementations liées à la sécurité, à la prévention de accidents et à la protection de l'environnement pour la zone d'application doivent être respectées.

3. Sécurité

L'opérateur doit s'assurer que l'étiquette du produit reste lisible.

Afin de travailler en toute sécurité sur l'instrument, la société exploitante doit s'assurer

FR

- qu'un équipement de premier secours adapté est disponible et que les premiers soins peuvent être dispensés sur place à tout moment en cas de besoin.
- que le personnel de service reçoit à intervalles réguliers des instructions relatives à toutes les questions pertinentes concernant la sécurité du travail, les premiers secours et la protection de l'environnement et qu'il connaît le mode d'emploi et particulièrement les consignes de sécurité contenues dans celui-ci.
- que l'instrument est adapté à l'application en respect de l'usage prévu de l'instrument.
- qu'un équipement de protection individuelle est disponible.

3.5 Qualification du personnel



AVERTISSEMENT !

Danger de blessure en cas de qualification insuffisante !

Une utilisation non conforme peut entraîner d'importants dommages corporels et matériels.

- ▶ Les opérations décrites dans ce mode d'emploi ne doivent être effectuées que par un personnel ayant la qualification décrite ci-après.
- ▶ Tenir le personnel non qualifié à l'écart des zones dangereuses.

Personnel qualifié en électricité

Le personnel qualifié en électricité est, en raison de sa formation spécialisée, de ses connaissances et de ses expériences de même que de sa connaissance des prescriptions nationales, des normes et directives en vigueur, en mesure d'effectuer les travaux sur les montages électriques, de reconnaître de façon autonome les dangers potentiels et de les éviter. Le personnel qualifié en électricité est formé spécialement pour le domaine d'action dans lequel il est formé et connaît les normes et dispositions importantes. Le personnel qualifié en électricité doit satisfaire aux dispositions des prescriptions juridiques en vigueur relatives à la protection contre les accidents.

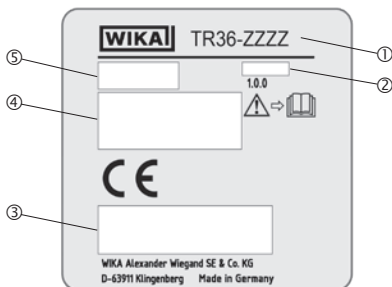
3. Sécurité

Les conditions d'utilisation spéciales exigent également une connaissance adéquate, par ex. des liquides agressifs.

3.6 Etiquetage, marquages de sécurité

FR

Plaques signalétiques (exemple)



- ① Type
- ② Date de fabrication (année-mois)
- ③ Logos d'agrément
- ④ Informations concernant la version (élément de mesure, signal de sortie, étendue de mesure ...)
- ⑤ Numéro de série, numéro d'étiquette



Lire impérativement le mode d'emploi avant le montage et la mise en service de l'instrument !

4. Transport, emballage et stockage

4. Transport, emballage et stockage

4.1 Transport

Vérifier s'il existe des dégâts sur l'instrument liés au transport.

Communiquer immédiatement les dégâts constatés et ne pas utiliser les instruments endommagés.



ATTENTION !

Dommages liés à un transport inapproprié

Un transport inapproprié peut donner lieu à des dommages importants.

- ▶ Lors du déchargement des colis à la livraison comme lors du transport des colis en interne après réception, il faut procéder avec soin et observer les consignes liées aux symboles figurant sur les emballages.
- ▶ Lors du transport en interne, observer les instructions du chapitre 4.2 "Emballage et stockage".

Si l'instrument est transporté d'un environnement froid dans un environnement chaud, la formation de condensation peut provoquer un dysfonctionnement fonctionnel de l'instrument. Il est nécessaire d'attendre que la température de l'instrument se soit adaptée à la température ambiante avant une nouvelle mise en service.

4.2 Emballage et stockage

N'enlever l'emballage qu'avant le montage.

Conserver l'emballage, celui-ci offre, lors d'un transport, une protection optimale (par ex. changement de lieu d'utilisation, renvoi pour réparation).

Conditions admissibles sur le lieu de stockage :

- Température de stockage : -40 ... +85 °C [-40 ... +185 °F]
- Humidité : 5 ... 95 % h. r. (sans condensation)

Eviter les influences suivantes :

- Lumière solaire directe ou proximité d'objets chauds
- Vibrations mécaniques, chocs mécaniques (mouvements brusques en le posant)
- Suie, vapeur, poussière et gaz corrosifs
- Environnements dangereux, atmosphères inflammables

4. Transport, ... / 5. Mise en service, utilisation

Conserver l'instrument dans l'emballage original dans un endroit qui satisfait aux conditions susmentionnées. Si l'emballage original n'est pas disponible, emballer et stocker l'instrument comme suit :

1. Emballer l'instrument dans une feuille de plastique antistatique.
2. Placer l'instrument avec le matériau isolant dans l'emballage.
3. En cas d'entreposage long (plus de 30 jours), mettre également un sachet absorbant d'humidité dans l'emballage.



Enlever tous les restes de fluides adhérents avant l'entreposage de l'instrument (après le fonctionnement). Ceci est particulièrement important lorsque le fluide représente un danger pour la santé, comme p. ex. des substances corrosives, toxiques, cancérogènes, radioactives etc.

FR

5. Mise en service, utilisation



AVERTISSEMENT !

Il convient d'éviter tout chargement mécanique sur les raccordements électriques et sur les boîtiers. L'accès à tous les raccordements ne doit être effectué que lorsque l'instrument n'est plus sous pression et qu'il est suffisamment refroidi.

Températures maximales admissibles :

- Sur le boîtier avec transmetteur : 85 °C [185 °F]
- Classe A :
 - Sans extension -30 ... +150 °C [-22 ... +302 °F]
 - Avec extension -30 ... +250 °C [-22 ... +482 °F]
- Classe B :
 - Sans extension -50 ... +150 °C [-58 ... +302 °F]
 - Avec extension -50 ... +250 °C [-58 ... +482 °F]



DANGER !

Danger vital à cause du courant électrique

Lors du contact avec des parties sous tension, il y a un danger vital direct.

- ▶ Le montage de l'instrument électrique ne doit être effectué que par un électricien qualifié.

5. Mise en service, utilisation

5.1 Installation

FR

Ces sondes à résistance sont conçues de manière à être vissées directement dans le process. La longueur utile ainsi que le débit et la viscosité du fluide du process peuvent réduire la charge maximale sur le tube de protection.

Si la sonde à résistance doit fonctionner dans un tube de protection supplémentaire, il faudra utiliser un raccord coulissant monté sur ressort.

Le boîtier doit être relié à la terre pour protéger l'instrument contre les champs électromagnétiques et toute charge électrostatique. Il ne doit pas être raccordé spécifiquement à la liaison équipotentielle lorsqu'un contact métallique fixe et sécurisé est établi entre lui et le récipient ou ses composants ou tuyauteries, dans la mesure où ceux-ci sont raccordés à la liaison équipotentielle.

Lorsqu'il y a un contact non-métallique avec la cuve, avec ses éléments structuraux ou la tuyauterie, l'instrument doit être muni d'une liaison équipotentielle.

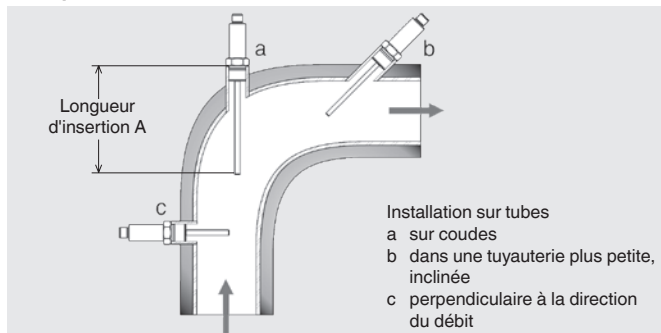


AVERTISSEMENT !

D'éventuelles réparations ou des modifications structurelles ne sont pas autorisées et entraînent l'annulation de la garantie.

5. Mise en service, utilisation

Exemples d'installation



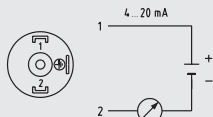
Pour obtenir des informations relatives sur les trous de vissage, veuillez vous référer à la norme DIN 3852, ou ANSI B 1.20 pour les filetages NPT.

5.1.1 Couples de serrage pour raccords coulissants

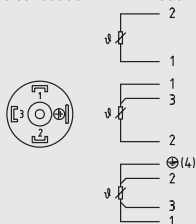
Étanchéité	Rotations	Pression maximale en bar
Ferrule en acier inox	1 ¼ ... 1 ½	100
Ferrule en acier inox à embout	1 ¼ ... 1 ½	100
Ferrule PTFE	1 ¼ ... 1 ½	8

5.2 Raccordement électrique

Signal de sortie 4 ... 20 mA
Connecteur coudé DIN EN 175301-803



Avec sortie capteur directe
Connecteur coudé DIN EN 175301-803



5. Mise en service, utilisation

Version avec connecteur coudé (DIN EN 175301-803) :

Pour des conducteurs de câble, nous recommandons d'utiliser des embouts à sertir.

FR

Pour garantir l'indice de protection IP65 :

- Toujours utiliser les joints en silicone
- Serrer la vis de blocage
- Réaliser minutieusement l'entrée de câble

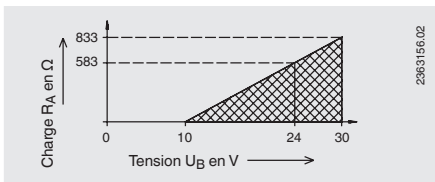
Ceci est un équipement de protection classe 3 pour le raccordement à des tensions faibles, qui sont séparées de l'alimentation secteur ou de tensions supérieures à 50 VAC ou 120 VDC. On recommande de préférence une connexion à un circuit SELV ou PELV ; on peut aussi utiliser les mesures de protection aux termes de HD 60346-4-41 (norme DIN VDE 0100-410).

Alternative pour le continent nord-américain

Le raccordement peut être également effectué sur "circuits classe 2" ou des unités de "puissance classe 2" conformément au CEC (Canadian Electrical Code) ou NEC (National Electrical Code).

Diagramme de charge

La charge admissible dépend de la tension d'alimentation de la boucle. Pour la communication avec l'instrument à l'aide de l'unité de programmation PU-548, une charge maximale de 350 Ω est autorisée.



5. Mise en service, utilisation

5.3 Comportement du signal de sortie électrique 4 ... 20 mA

■ Rupture de capteur et court-circuit

La rupture de capteur ou le court-circuit sont signalés après la détection positive (après environ 1 seconde). Si cette condition de défaut a été causée par un mauvais fonctionnement, un signal de mesure correspondant doit exister pendant environ 1 seconde pour revenir au mode de mesure. A partir du moment de la détection d'erreur jusqu'à la signalisation de défaut, la dernière valeur mesurée pertinente sera émise sur la boucle de courant.

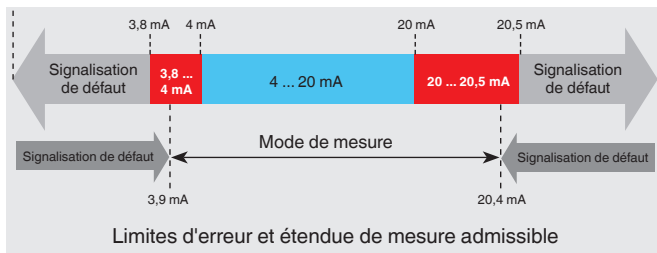
Par conséquent, dans le cas d'une "vraie" rupture de capteur ou d'un "vrai" court-circuit, ceci est également signalé de façon permanente. Dans le cas d'une "fausse" rupture de capteur ou d'un "faux" court-circuit, le transmetteur a la possibilité de revenir au mode de mesure.

■ Température du fluide en dehors de la gamme

Si la température du fluide est supérieure à celle configurée dans le transmetteur, le transmetteur fonctionnera de façon linéaire dans les limites suivantes : 3,8 mA (MRS) ; 20,5 mA (MRE). Si ces limites sont dépassées, une erreur sera signalée.

■ Hystérésis lors du retour à l'intervalle de mesure

Après que les limites d'erreur linéaires aient été dépassées lors du retour à l'intervalle de mesure, une hystérésis de 0,1 mA doit être effectuée. Cette hystérésis empêche que le transmetteur saute en avant et en arrière entre la signalisation des défauts et le mode de mesure.



6. Configuration

6. Configuration

FR

La configuration est réalisée à l'aide d'une interface USB avec un PC via l'unité de programmation type PU-548 (accessoires, code d'article 14231581). La connexion avec le thermomètre se fait par le câble adaptateur approprié (accessoires : connecteur circulaire DIN, code d'article 14005324).

L'étendue de mesure, l'amortissement, la signalisation de défaut, le n° d'identification et d'autres paramètres peuvent être réglés (voir logiciel de configuration).



- Facile à utiliser
- Affichage d'état par LED
- Design compact
- Pas besoin de tension d'alimentation supplémentaire pour l'unité de programmation ou pour le transmetteur

(se substitue à l'unité de programmation type PU-448)

L'étendue de mesure peut être configurée entre $-50 \dots +250 \text{ °C}$ [$-58 \dots +482 \text{ °F}$]. Le logiciel de configuration contrôle l'étendue de mesure souhaitée et accepte uniquement les valeurs admissibles. Les valeurs intermédiaires sont configurables ; l'incrément le plus petit est $0,1 \text{ °C}$ ou $0,1 \text{ °F}$. Les sondes sont livrées avec une configuration selon les souhaits du client dans les limites des possibilités de configuration.

Attention :

L'étendue de mesure de la sonde est limitée par la plage d'application de l'élément de mesure, et non par la plage de réglage du transmetteur.

Températures maximales admissibles :

- Sur le boîtier avec transmetteur : 85 °C [185 °F]
- Classe A :
 - Sans extension $-30 \dots +150 \text{ °C}$ [$-22 \dots +302 \text{ °F}$]
 - Avec extension $-30 \dots +250 \text{ °C}$ [$-22 \dots +482 \text{ °F}$]
- Classe B :
 - Sans extension $-50 \dots +150 \text{ °C}$ [$-58 \dots +302 \text{ °F}$]
 - Avec extension $-50 \dots +250 \text{ °C}$ [$-58 \dots +482 \text{ °F}$]

7. Logiciel de configuration WIKAsoft-TT

7. Logiciel de configuration WIKAsoft-TT

Pour l'installation, veuillez suivre les instructions habituelles d'installation.

7.1 Démarrer le logiciel

Lancer le logiciel de configuration en double-cliquant sur l'icône WIKAsoft-TT.

Après avoir démarré le logiciel, changer la langue en sélectionnant le drapeau du pays correspondant.

Le port COM est sélectionné automatiquement.

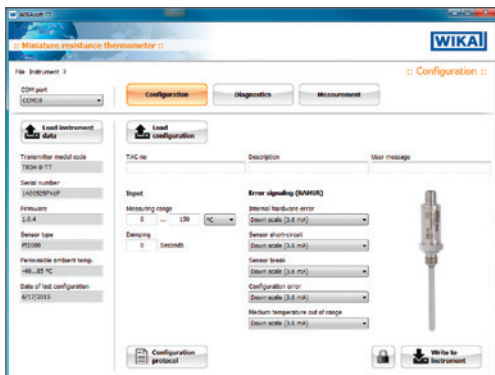
Après la connexion d'un transmetteur (à l'aide de la PU-548), l'interface de configuration est chargée en appuyant sur le bouton "Démarrer".



FR



L'interface de configuration ne peut être chargée que lorsqu'un instrument est connecté.



7.2 Procédure de configuration

Les étapes 1 et 2 sont effectuées automatiquement lors du démarrage du logiciel.

FR

1. "Chargement des données de l'instrument"
2. "Chargement de la configuration"
3. [option] Annuler la protection en écriture (symbole "clé" en bas à droite)
4. Modifier les paramètres requis
→ Capteur/Étendue du mesure/Signalisation d'erreur etc.
5. "Enregistrer sur l'instrument"
6. [option] Activer la protection en écriture
7. [option] Imprimer l'historique de la configuration
8. [option] Test : "Chargement de la configuration" → contrôle de la configuration

7.3 Diagnostic d'erreur

Ici, en cas "d'erreur détectée par le transmetteur", le message d'erreur est affiché.

Exemples : rupture de capteur, température maximale autorisée dépassée, etc. En fonctionnement normal, "Pas d'erreur - Pas de demande de maintenance" est affiché ici.

7.4 Valeurs mesurées

Enregistreur à ligne - Ici la progression de valeur mesurée est représentée sous forme de graphique avec un taux d'échantillonnage constant dans un intervalle de temps défini (180 secondes) et un axe de température variable.

L'afficheur sert uniquement pour la vérification fonctionnelle et pour information.

Il n'est pas possible d'exporter les données.

7.5 Configuration de plusieurs instruments de manière identique

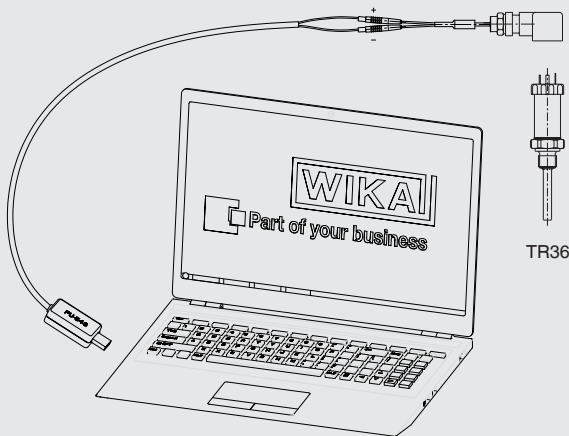
■ Premier instrument

1. "Chargement de la configuration"
2. [option] Annuler la protection en écriture (symbole "clé" en bas à droite)
3. Modifier les paramètres requis
4. "Enregistrer sur l'instrument"
5. [option] Activer la protection en écriture

- Tous les instruments suivants
 1. "Chargement des données de l'instrument"
 2. [option] Désactiver la protection en écriture
 3. [option] Modifier les paramètres requis, par exemple numéro d'identification
 4. "Enregistrer sur l'instrument"
 5. [option] Activer la protection en écriture

8. Connexion de l'unité de programmation PU-548

Connexion PU-548 ↔ câble adaptateur avec connecteur angulaire DIN, forme A



14004919.01 + 14005637.01

TR36

(modèle prédécesseur, unité de programmation type PU-448, également compatible)

9. Dysfonctionnements

9. Dysfonctionnements

FR



ATTENTION !

Blessures physiques et dommages aux équipements et à l'environnement

Si les défauts ne peuvent pas être éliminés au moyen des mesures listées, l'instrument doit être mis hors service immédiatement.

- ▶ S'assurer que la température ou le signal n'est plus présent et protéger contre une mise en service accidentelle.
- ▶ Contacter le fabricant.
- ▶ S'il est nécessaire de retourner l'instrument au fabricant, prière de respecter les indications mentionnées au chapitre 11.2 "Retour".



Pour le détail des contacts voir le chapitre 1 "Généralités" ou au dos du mode d'emploi.

Dysfonctionnements	Raisons	Mesures
Aucun signal/ Rupture de câble	Charge mécanique trop élevée ou température excessive	Remplacer le capteur par une version adaptée
Valeurs mesurées erronées	Dérive du capteur causée par une température excessive	Remplacer le capteur par une version adaptée
	Dérive du capteur causée par une attaque chimique	Analyse du fluide
Valeurs mesurées erronées (trop basses)	Pénétration d'humidité dans le câble	Utiliser l'indice de protection IP approprié
Valeurs mesurées erronées et temps de réponse trop longs	Géométrie de montage incorrecte, par exemple profondeur d'insertion trop faible ou dissipation thermique trop élevée	La zone thermosensible du capteur doit se trouver dans le fluide et les mesures de surface doivent être isolées
	Dépôts sur le tube de protection	Éliminer les dépôts
Interruptions temporaires ou intermittentes du signal de valeur mesurée	Rupture de câble dans le câble de raccordement ou contact lâche causé par une surcharge mécanique	Remplacer le capteur ou utiliser une section de conducteur plus épaisse

9. Dysfonctionnements / 10. Entretien et nettoyage

Dysfonctionnements	Raisons	Mesures
Corrosion	La composition du fluide n'est pas celle exigée ou est modifiée	Analyse du fluide
Interférence du signal	Courants vagabonds provoqués par des champs électriques ou des boucles de terre	Utilisation de câbles de raccordement blindés, augmentation de la distance par rapport aux moteurs et lignes électriques
	Circuits de terre	Élimination de potentiels, utilisation de séparateurs d'alimentation à isolation galvanique ou de transmetteurs

FR

10. Entretien et nettoyage



Pour le détail des contacts voir le chapitre 1 "Généralités" ou au dos du mode d'emploi.

10.1 Entretien

Les sondes à résistance décrites dans ce document ne nécessitent pas de maintenance et ne comportent aucun composant devant faire l'objet d'une réparation ou d'un échange.

10.2 Nettoyage



ATTENTION !

Blessures physiques et dommages aux équipements et à l'environnement

Un nettoyage inapproprié peut conduire à des blessures physiques et à des dommages aux équipements ou à l'environnement. Les restes de fluides se trouvant dans les instruments démontés peuvent mettre en danger les personnes, l'environnement ainsi que l'installation.

- ▶ Effectuer la procédure de nettoyage comme décrit ci-dessous.

10. Entretien et nettoyage / 11. Démontage ...

1. Avant de nettoyer l'instrument, il faut débrancher les raccords électriques.
2. Nettoyer l'instrument avec un chiffon humide.
Eviter tout contact des raccords électriques avec l'humidité !

FR



ATTENTION !

Dommages à l'instrument

Un nettoyage inapproprié peut conduire à l'endommagement de l'instrument !

- ▶ Ne pas utiliser de détergents agressifs.
- ▶ Ne pas utiliser d'objets pointus ou durs pour le nettoyage.

3. Laver et décontaminer l'instrument démonté afin de protéger les personnes et l'environnement contre le danger lié aux résidus de fluides.

11. Démontage, retour et mise au rebut



AVERTISSEMENT !

Blessures physiques et dommages aux équipements et à l'environnement liés aux résidus de fluides

Les restes de fluides se trouvant dans les instruments démontés peuvent mettre en danger les personnes, l'environnement ainsi que l'installation.

- ▶ Observer les informations de la fiche de données de sécurité du fluide correspondant.
- ▶ Laver et décontaminer l'instrument démonté afin de protéger les personnes et l'environnement contre le danger lié aux résidus de fluides.

11.1 Démontage



AVERTISSEMENT !

Danger de brûlure

Durant le démontage, il y a un danger lié à l'échappement de fluides dangereusement chauds.

- ▶ Avant le démontage de l'instrument, le laisser refroidir suffisamment !

Déconnecter la sonde à résistance uniquement une fois que le système a été mis hors pression !

11. Démontage, retour et mise au rebut

FR

11.2 Retour

En cas d'envoi de l'instrument, il faut respecter impérativement ceci :

Tous les instruments livrés à WIKA doivent être exempts de substances dangereuses (acides, bases, solutions, etc.) et doivent donc être nettoyés avant d'être retournés.

Pour retourner l'instrument, utiliser l'emballage original ou un emballage adapté pour le transport.

Pour éviter des dommages :

1. Emballer l'instrument dans une feuille de plastique antistatique.
2. Placer l'instrument avec le matériau isolant dans l'emballage.
Isoler de manière uniforme tous les côtés de l'emballage de transport.
3. Mettre si possible un sachet absorbeur d'humidité dans l'emballage.
4. Indiquer lors de l'envoi qu'il s'agit d'un instrument de mesure très sensible à transporter.



Des informations relatives à la procédure de retour sont disponibles sur notre site Internet à la rubrique "Services".

11.3 Mise au rebut

Une mise au rebut inadéquate peut entraîner des dangers pour l'environnement.

Éliminer les composants des instruments et les matériaux d'emballage conformément aux prescriptions nationales pour le traitement et l'élimination des déchets et aux lois de protection de l'environnement en vigueur.



Ne pas mettre au rebut avec les ordures ménagères.
Assurer une mise au rebut correcte en conformité avec les réglementations nationales.

12. Spécifications

12. Spécifications

Elément de mesure

Type d'élément de mesure

Version 4 ... 20 mA	Pt1000 (courant de mesure < 0,3 mA ; l'auto-échauffement peut être négligé)
Version Pt100	Pt100 (courant de mesure 0,1 ... 1,0 mA)

Type de raccordement

Version 4 ... 20 mA	2 fils
Version Pt100	■ 2 fils ■ 3 fils ■ 4 fils

Valeur de tolérance de l'élément de mesure ¹⁾ selon CEI 60751

Version 4 ... 20 mA	Classe A
Version Pt100	■ Classe A ■ Classe B à 2 fils

1) En fonction du raccord process, l'écart peut être plus important.

Caractéristiques de précision (version 4 ... 20 mA)

Valeur de tolérance de l'élément de mesure ¹⁾ (CEI 60751)	Classe A
Ecart de mesure du transmetteur (CEI 62828)	$\pm 0,25$ K ou 0,25 % de l'échelle réglée (la valeur plus grande s'applique)
Ecart de mesure total (CEI 62828) ²⁾	Ecart de mesure de l'élément de mesure + transmetteur
Influence de la température ambiante	0,1 % de l'intervalle de mesure / 10 K T _a
Influence de la tension d'alimentation	$\pm 0,025$ % de l'intervalle de mesure réglé / V (en fonction de la tension d'alimentation U _B)
Influence de la charge	$\pm 0,05$ % de l'intervalle de mesure réglé / 100 Ω
Linéarisation	Linéaire par rapport à la température selon CEI 60751

12. Spécifications

Caractéristiques de précision (version 4 ... 20 mA)

Erreur de sortie $\pm 0,1 \% ^{3)}$ de l'intervalle de mesure réglé

Conditions de référence

Température ambiante T_a ref 23 °C

Tension d'alimentation U_B ref 24 VDC

FR

- 1) En fonction du raccord process, l'écart peut être plus important.
- 2) Pendant les interférences transitoires (par exemple burst, surge, DES), prendre en compte un écart de mesure d'un maximum de 2,5 %.
- 3) $\pm 0,2 \%$ pour le début de l'étendue de mesure de moins de 0 °C [32 °F]

Etendue de mesure

Plage de température

Version 4 ... 20 mA

Sans extension -30 ... +150 °C [-22 ... +302 °F]
Avec extension -30 ... +250 °C [-22 ... +482 °F] ¹⁾

Version Pt100

Classe A Sans extension -30 ... +150 °C
[-22 ... +302 °F]
Avec extension -30 ... +250
°C [-22 ... +482 °F] ¹⁾

Classe B Sans extension -50 ... +150 °C
[-58 ... +302 °F]
Avec extension -50 ... +250 °C
[-58 ... +482 °F] ¹⁾

Unité (version 4 ... 20 mA)

Configurables °C, °F, K

**Température au connecteur
(version Pt 100)**

Max. 85 °C [185 °F]

**Intervalle de mesure
(version 4 ... 20 mA)**

Minimum 20 K, maximum 300 K

- 1) C'est pourquoi le transmetteur de température doit être protégé des températures supérieures à 85 °C [185 °F].

12. Spécifications

Raccord process

Type de raccord process	■ G ¼ B
	■ G ⅜ B
	■ G ½ B
	■ ¼ NPT
	■ ½ NPT
	■ M12 x 1,5
	■ M20 x 1,5

Tube de protection

Diamètre du doigt de gant	■ 3 mm [0,12 in]
	■ 6 mm [0,24 in]
	■ 8 mm [0,31 in]
Longueur utile U ₁	■ 50 mm [1,97 in]
	■ 75 mm [2,95 in] ¹⁾
	■ 100 mm [3,94 in] ¹⁾
	■ 120 mm [4,72 in] ¹⁾
	■ 150 mm [5,91 in] ¹⁾
	■ 200 mm [7,87 in] ¹⁾
	■ 250 mm [9,84 in] ¹⁾
	■ 300 mm [11,81 in] ¹⁾
	■ 350 mm [13,78 in] ¹⁾
	■ 400 mm [15,75 in] ¹⁾
	Autres longueurs sur demande
Matériau (en contact avec le fluide)	Acier inox 1.4571

1) Pas pour le diamètre du tube de protection 3 mm [0,12 in]

Si la sonde à résistance doit fonctionner dans un tube de protection supplémentaire, il faudra utiliser un raccord coulissant monté sur ressort.

Signal de sortie (version 4 ... 20 mA)

Sortie analogique	4 ... 20 mA, 2 fils
Charge R _A	$R_A \leq (U_B - 10 V) / 23 \text{ mA}$ avec R _A en Ω et U _B en V
	La charge admissible dépend de la tension d'alimentation de la boucle.

12. Spécifications

Signal de sortie (version 4 ... 20 mA)

Configuration d'usine

Etendue de mesure	Etendue de mesure 0 ... 150 °C [32 ... 302 °F] D'autres étendues de mesure sont réglables
Valeur de courant pour la signalisation des défauts	Configurable en conformité avec NAMUR NE 043 bas d'échelle < 3,6 mA (3,5 mA) haut d'échelle > 21,0 mA (21,5 mA)
Valeur de courant pour court-circuit du capteur	Non configurable en conformité avec NAMUR NE 043 bas d'échelle ≤ 3,6 mA (3,5 mA)

Communication

Données d'info	N° d'identification, description et message d'utilisateur peuvent être stockés dans le transmetteur
Données de configuration et d'étalonnage	Stockées en permanence
Logiciel de configuration	WIKAsoft-TT → Logiciel de configuration (multilingue) téléchargeable sur www.wika.fr

Tension d'alimentation

Tension d'alimentation U_B	10 ... 30 VDC
Entrée de tension d'alimentation	Protégée contre l'inversion de polarité
Ondulation résiduelle admissible de la tension d'alimentation	10 % générée par U_B < 3 % d'ondulation du courant de sortie

Temps de réponse

Retard au démarrage, électrique	Max. 4 s (durée avant la première valeur mesurée)
Durée de préchauffage	Après environ 4 minutes, l'instrument fonctionnera conformément aux spécifications (précision) indiquées dans la fiche technique.

12. Spécifications

Conditions de fonctionnement

Plage de température ambiante	-40 ... +85 °C [-40 ... +185 °F]
Plage de température de stockage	-40 ... +85 °C [-40 ... +185 °F]
Classe climatique (CEI 60654-1)	Cx (-40 ... +85 °C [-40 ... +185 °F], 5 ... 95 % h.r.)
Humidité maximale admissible, condensation	100 % h. r., condensation autorisée
Pression de service maximale ^{1) 2)}	
Pour tube de protection Ø 3 mm [0,12 in]	140 bar [2.030 psi]
Pour tube de protection Ø 6 mm [0,24 in]	270 bar [3.916 psi]
Pour tube de protection Ø 8 mm [0,31 in]	400 bar [5.801 psi]
Brouillard salin	CEI 60068-2-11
Résistance aux vibrations (CEI 60751)	10 ... 2.000 Hz, 8 g ¹⁾
Résistance aux chocs (CEI 60068-2-27)	50 g, 6 ms, 3 axes, 3 directions, trois fois par direction
Indice de protection (code IP)	IP65 selon CEI/EN 60529 L'indice de protection mentionné n'est valable que lorsqu'il y a un raccordement au moyen de connecteurs de ligne possédant l'indice de protection requis.
Poids	environ 0,2 ... 0,7 kg [0,44 ... 1,54 lbs] - en fonction de la version

1) Dépendant de la version de l'instrument

2) Pression de service réduite lors de l'utilisation d'un raccord coulissant :
Acier inox : max. 100 bar [1.450 psi], / PTFE = max. 8 bar [116 psi]

Pour de plus amples spécifications, voir la fiche technique WIKA TE 60.36 et la documentation de commande.

Contenido

1. Información general	88
2. Diseño y función	89
3. Seguridad	92
4. Transporte, embalaje y almacenamiento	96
5. Puesta en servicio, funcionamiento	97
6. Configuración	102
7. Software de configuración WIKAsoft-TT	103
8. Conectar la unidad de programación PU-548	105
9. Errores	106
10. Mantenimiento y limpieza	107
11. Desmontaje, devolución y eliminación de residuos	108
12. Datos técnicos	110

Declaraciones de conformidad puede encontrar en www.wika.es.

1. Información general

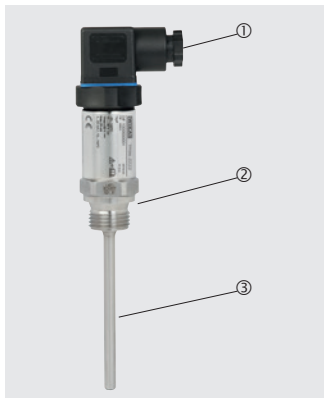
1. Información general

ES

- La termostabilidad descrita en el manual de instrucciones está construida y fabricada según el estado actual de la técnica. Todos los componentes están sometidos durante su fabricación a estrictos criterios de calidad y medioambientales. Nuestros sistemas de gestión están certificados según ISO 9001 e ISO 14001.
- Este manual de instrucciones proporciona indicaciones importantes acerca del manejo del instrumento. Para un trabajo seguro, es imprescindible cumplir con todas las instrucciones de seguridad y manejo indicadas.
- Cumplir siempre las normativas sobre la prevención de accidentes y las normas de seguridad en vigor en el lugar de utilización del instrumento.
- El personal especializado debe haber leído y entendido el manual de instrucciones antes de comenzar cualquier trabajo.
- Modificaciones técnicas reservadas.
- Para obtener más información consultar:
 - Página web: www.wika.es
 - Hoja técnica correspondiente: TE 60.36
 - Servicio técnico: Tel.: +34 933 938 630
info@wika.es

2. Diseño y función

2.1 Resumen



ES

- ① Conector angular DIN 175301-803 forma A
- ② Conexión a proceso
- ③ Tubo de sonda

2.2 Descripción

La termorresistencia modelo TR36 consta de una vaina con conexión fija y se rosca directamente al proceso.

Si la termorresistencia debe funcionar en una vaina adicional, debe utilizarse un racor deslizante con resorte.

Es a prueba de golpes y vibraciones y está protegida contra salpicaduras de agua. Su resistencia a vibraciones es conforme a IEC 60751 (8 g, depende de la versión del aparato). La resistencia a los golpes en todas las versiones es conforme a los requerimientos de IEC 60751.

2. Diseño y función

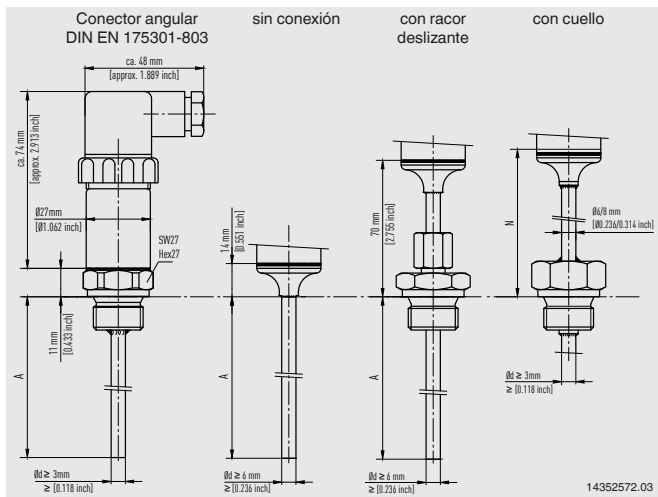
Asegurarse de minimizar las cargas mecánicas sobre el conector, especialmente en caso de aumento de la temperatura ambiente o de fuertes cargas de vibración.

La conexión eléctrica se realiza mediante conector angular DIN EN 175301-803, forma A.

ES

2.3 Dimensiones en mm

■ Conexión a proceso con rosca cilíndrica (o sin conexión)



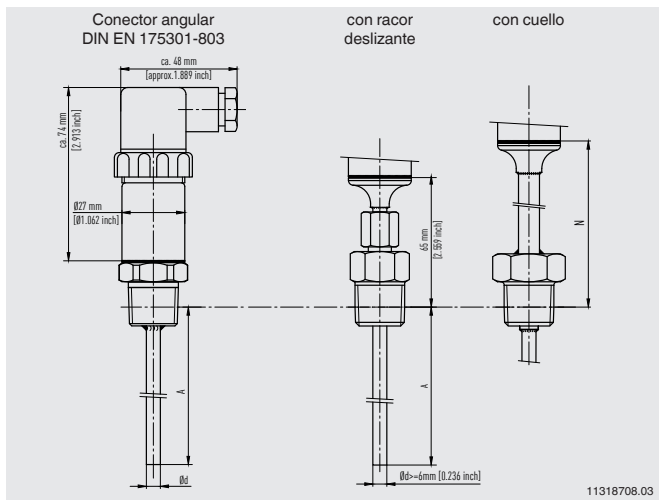
Con una temperatura de proceso > 150 °C [302 °F] se requiere una longitud de cuello N de 70 mm.

Leyenda:

- A Longitud de montaje
- N Longitud de cuello (70 mm)
- Ød Diámetro del sensor

2. Diseño y función

■ Conexión con rosca cónica



Con una temperatura de proceso > 150 °C [302 °F] se requiere una longitud de cuello N de 70 mm.

Leyenda:

- A Longitud de montaje
- N Longitud de cuello (70 mm)
- Ød Diámetro del sensor

2.4 Alcance del suministro

Comparar mediante el albarán si se han entregado todas las piezas.

3. Seguridad

3. Seguridad

3.1 Explicación de símbolos



¡ADVERTENCIA!

... señala una situación probablemente peligrosa que puede causar la muerte o lesiones graves si no se evita.



¡CUIDADO!

... señala una situación probablemente peligrosa que puede causar lesiones leves o medianas o daños materiales y del medio ambiente si no se evita.



¡PELIGRO!

... identifica los peligros causados por la corriente eléctrica. La no observancia de las instrucciones de seguridad puede resultar en lesiones graves o la muerte.



¡ADVERTENCIA!

... señala una situación de peligro que puede provocar quemaduras causadas por superficies o líquidos calientes si no se evita.



Información

... destaca consejos y recomendaciones útiles así como informaciones para una utilización eficiente y libre de errores.

3.2 Uso conforme a lo previsto

La termorresistencia modelo TR36 se utiliza como termómetro universal para medir temperaturas de $-50 \dots +150 \text{ }^{\circ}\text{C}$ [$-58 \dots +302 \text{ }^{\circ}\text{F}$] (sin tubo de cuello) así como de $-50 \dots +250 \text{ }^{\circ}\text{C}$ [$-58 \dots +482 \text{ }^{\circ}\text{F}$] (con tubo de cuello) en medios líquidos o gaseosos. Pueden utilizarse para presiones de hasta 140 bar [2.030 psi], 270 bar [3.916 psi] o 400 bar [5.801 psi] - en función del diámetros de tubo de protección.

3. Seguridad

El instrumento ha sido diseñado y construido únicamente para la finalidad aquí descrita y debe utilizarse en conformidad a la misma.

Cumplir las especificaciones técnicas de este manual de instrucciones. Un manejo no apropiado o una utilización del instrumento no conforme a las especificaciones técnicas requiere la inmediata puesta fuera de servicio y la comprobación por parte de un técnico autorizado por WIKA.

ES

No se admite ninguna reclamación debido a un manejo no adecuado.

3.3 Uso incorrecto



¡ADVERTENCIA!

Lesiones por uso incorrecto

El uso incorrecto del dispositivo puede causar lesiones graves o la muerte.

- ▶ Abstenerse de realizar modificaciones no autorizadas del dispositivo.
- ▶ No utilizar el dispositivo en zonas potencialmente explosivas.
- ▶ No utilizar el instrumento para medios abrasivos ni viscosos.

Cualquier uso que no sea el previsto para este dispositivo es considerado como uso incorrecto.

No utilizar este instrumento en sistemas de seguridad o instrumentos de parada de emergencia.

3.4 Responsabilidad del usuario

El dispositivo se utiliza en el sector industrial. Por lo tanto, el usuario está sujeto a las responsabilidades legales para la seguridad en el trabajo.

Se debe cumplir las notas de seguridad en este manual de instrucciones, así como la validez de las normas de seguridad de la unidad, de prevención de accidentes y protección del medio ambiente.

El usuario está obligado a mantener la placa de identificación bien legible.

3. Seguridad

Para realizar un trabajo seguro en el instrumento el usuario ha de asegurarse de que,

- esté disponible un kit de primeros auxilios que siempre esté presente y ayude en caso necesario.
- los operadores reciban periódicamente instrucciones sobre todos los temas de seguridad de trabajo, primeros auxilios y protección del medio ambiente, y conozcan además el manual de instrucciones y en particular las instrucciones de seguridad del mismo.
- el instrumento sea adecuado de acuerdo con el uso previsto para la aplicación.
- que el equipo de protección personal esté disponible.

ES

3.5 Cualificación del personal



¡ADVERTENCIA!

¡Riesgo de lesiones debido a una insuficiente cualificación!

Un manejo no adecuado puede causar considerables daños personales y materiales.

- ▶ Las actividades descritas en este manual de instrucciones deben realizarse únicamente por personal especializado con la consiguiente cualificación.
- ▶ Mantener al personal no cualificado alejado de las zonas potencialmente explosivas.

Técnicos cualificados

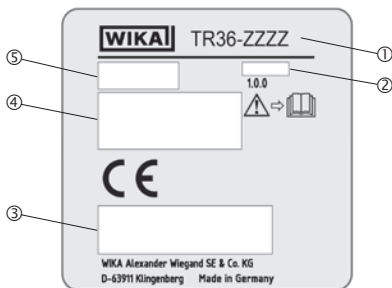
Debido a su formación profesional, a sus conocimientos así como a su experiencia y su conocimiento de las normativas, normas y directivas vigentes en el país de utilización los técnicos cualificados son capacitados de ejecutar los trabajos en sistemas eléctricos y reconocer y evitar posibles peligros. Los técnicos cualificados han sido formados específicamente para sus tareas y conocen las normativas y disposiciones relevantes. Los técnicos cualificados deben cumplir las normativas sobre la prevención de accidentes en vigor.

Algunas condiciones de uso específicas requieren conocimientos adicionales, p. ej. acerca de medios agresivos.

3. Seguridad

3.6 Rótulos, marcajes de seguridad

Placas de características (ejemplo)



ES

- ① Modelo
- ② Fecha de fabricación (año/mes)
- ③ Logotipos de homologación
- ④ Datos de versión (elemento de medición, señal de salida, rango de medición...)
- ⑤ Número de serie, número Tag



¡Es absolutamente necesario leer el manual de instrucciones antes del montaje y la puesta en servicio del instrumento!

4. Transporte, embalaje y almacenamiento

4. Transporte, embalaje y almacenamiento

4.1 Transporte

Comprobar si el instrumento presenta eventuales daños causados en el transporte.

Notificar daños obvios de forma inmediata. No utilizar instrumentos dañados.



¡CUIDADO!

Daños debidos a un transporte inadecuado

Transportes inadecuados pueden causar daños materiales considerables.

- ▶ Tener cuidado al descargar los paquetes durante la entrega o el transporte dentro de la compañía y respetar los símbolos en el embalaje.
- ▶ Observar las instrucciones en el capítulo 4.2 “Embalaje y almacenamiento” en el transporte dentro de la compañía.

Si se transporta el instrumento de un ambiente frío a uno caliente, puede producirse un error de funcionamiento en el mismo. En tal caso, hay que esperar que la temperatura del instrumento se adapte a la temperatura ambiente antes de volver a ponerlo en funcionamiento.

4.2 Embalaje y almacenamiento

No quitar el embalaje hasta justo antes del montaje.

Guardar el embalaje ya que es la protección ideal durante el transporte (por. ej. si el lugar de instalación cambia o si se envía el instrumento para posibles reparaciones).

Condiciones admisibles en el lugar de almacenamiento:

- Temperatura de almacenamiento: -40 ... +85 °C [-40 ... +185 °F]
- Humedad: 5 ... 95 % h. r. (sin condensación)

Evitar lo siguiente:

- Luz solar directa o proximidad a objetos calientes
- Vibración mecánica, impacto mecánico (colocación brusca)
- Hollín, vapor, polvo y gases corrosivos
- Entorno potencialmente explosivo, atmósferas inflamables

4. ... / 5. Puesta en servicio, funcionamiento

Almacenar el instrumento en su embalaje original en un lugar que cumple las condiciones arriba mencionadas. Si no se dispone del embalaje original, empaquetar y almacenar el instrumento como sigue:

1. Envolver el instrumento en un film de plástico antiestático.
2. Colocar el instrumento junto con el material aislante en el embalaje.
3. Para un almacenamiento prolongado (más de 30 días) colocar una bolsa con un desecante en el embalaje.



Antes de almacenar el instrumento (después del funcionamiento), eliminar todos los restos de medios adheridos. Esto es especialmente importante cuando el medio es nocivo para la salud, como p. ej. cáustico, tóxico, cancerígeno, radioactivo, etc.

ES

5. Puesta en servicio, funcionamiento



¡ADVERTENCIA!

Deben evitarse los esfuerzos mecánicos de las conexiones eléctricas y de las cajas. Abrir todas las conexiones sólo cuando estén despresurizadas y enfriadas.

Temperaturas máximas admisibles:

- En caja con transmisor: 85 °C [185 °F]
- Clase A:
Sin cuello -30 ... +150 °C [-22 ... +302 °F]
Con cuello -30 ... +250 °C [-22 ... +482 °F]
- Clase B:
Sin cuello -50 ... +150 °C [-58 ... +302 °F]
Con cuello -50 ... +250 °C [-58 ... +482 °F]



¡PELIGRO!

Peligro de muerte por corriente eléctrica

Existe peligro directo de muerte al tocar piezas bajo tensión.

- ▶ La instalación y el montaje del instrumento deben estar exclusivamente a cargo del personal especializado.

5. Puesta en servicio, funcionamiento

5.1 Instalación

Estas termorresistencias están previstas para ser enroscadas directamente en el proceso. La longitud del montaje así como la velocidad del caudal y la viscosidad del medio pueden tener un efecto reductor con respecto a la carga máxima de la vaina.

ES

Si la termorresistencia debe funcionar en una vaina adicional, debe utilizarse un racor deslizante con resorte.

La caja debe ser puesta a tierra contra campos electromagnéticos y carga electrostática. No tiene que conectarse por separado al sistema equipotencial si tiene ya un contacto metálico fijo y asegurado con el depósito o sus componentes, o con tuberías, en tanto éstos estén conectados con dicho sistema.

Si hay un contacto no metálico con el recipiente o sus partes constructivas o la tubería, debe dotarse el instrumento con una conexión equipotencial.

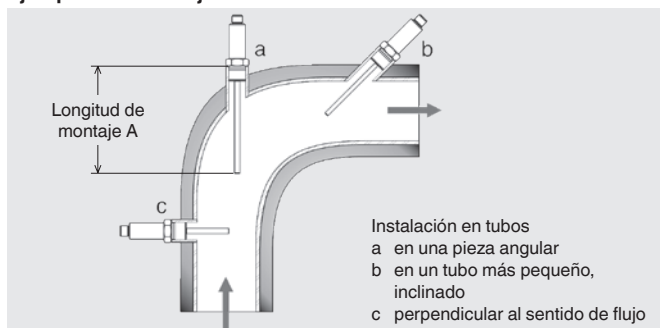


¡ADVERTENCIA!

No se permite ningún tipo de reparación ni modificación constructiva, ya que estas modificaciones provocan la anulación de la garantía.

5. Puesta en servicio, funcionamiento

Ejemplos de montaje



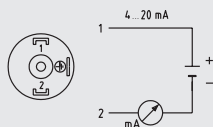
Consultar información sobre los orificios para atornillar en la norma DIN 3852 o para roscas NPT ANSI B 1.20.

5.1.1 Pares de apriete para raccord deslizante

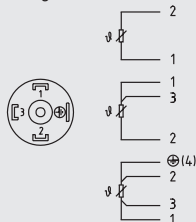
Sellado	Revoluciones	Presión máx. en bar
Anillo de compresión de acero inoxidable	1 ¼ ... 1 ½	100
Virola de acero inoxidable tipo mordedor	1 ¼ ... 1 ½	100
Anillo de compresión de PTFE	1 ¼ ... 1 ½	8

5.2 Conexión eléctrica

Señal de salida 4 ... 20 mA
 Conector angular DIN EN 175301-803



Con salida de sensor directa
 Conector angular DIN EN 175301-803



5. Puesta en servicio, funcionamiento

Versión con conector angular (DIN 175301-803):

En el caso de conductores trenzados recomendamos emplear virolas de cable engarzadas a presión.

Para asegurar el tipo de protección IP65:

- Utilizar siempre la junta de silicona
- Apretar el tornillo de enclavamiento
- Introducir el cable con sumo cuidado

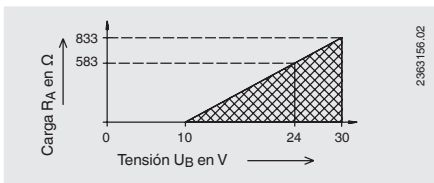
Eso es un dispositivo de la clase 3 para la utilización con baja tensión aislada de la tensión de red o de la tensión superior a AC 50 V y DC 120 V. Se recomienda una conexión a circuitos eléctricos SELV o PELV; y como alternativa se recomienda una medida de protección de HD 60 346-4-41 (DIN VDE 0100-410).

Alternativa para EE.UU

La conexión puede realizarse también a “Class 2 Circuits” o “Class 2 Power Units” según CEC (Canadian Electrical Code) o NEC (National Electrical Code)

Diagrama de cargas

La carga admisible depende de la tensión del bucle de alimentación. Para la comunicación con el instrumento con unidad de programación PU-548 es admisible una carga máx. de 350 Ω .



5. Puesta en servicio, funcionamiento

5.3 Comportamiento de la señal de salida eléctrica 4 ... 20 mA

■ Sensor roto y cortocircuito

La rotura de un sensor o un cortocircuito se señalan una vez detectados (después de aprox. 1 seg). Sin embargo, si este error es causado por un funcionamiento incorrecto, es necesario proporcionar una señal de medición relevante durante aprox. 1 seg para volver al modo de medición. A partir de la detección hasta la señalización del error se indica el último valor de medición relevante en el bucle de corriente.

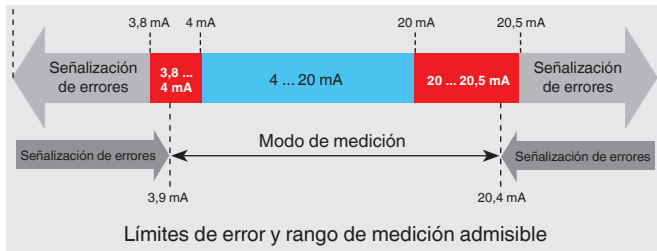
De este modo, si hay realmente un sensor roto o cortocircuito, este se indica permanentemente. En caso de una rotura de sensor “errónea” o si el sensor funciona correctamente o si no hay ningún cortocircuito, el transmisor puede reanudar la medición.

■ Temperatura del medio fuera del intervalo

Si la temperatura del medio supera la configurada en el transmisor, éste funcionará de forma lineal dentro de los siguientes límites: 3,8 mA (MRS); 20,5 mA (MRE). Cuando se sobrepasan, se señaliza un error.

■ Histéresis durante la vuelta al span de medición

Después de haber sobrepasado los límites de error lineales, hay que sobrepasar una histéresis de 0,1 mA durante la vuelta al span de medición. Esta histéresis previene una oscilación repetida del transmisor entre error y modo de medición dentro de los márgenes de error.



6. Configuración

6. Configuración

La configuración se efectúa a través del puerto USB de un ordenador con una unidad de programación modelo PU-548 (accesorio, nº de art. 14231581). Con un cable adaptador adecuado se establece la conexión con el termómetro (accesorios: conector DIN, nº de art. 14005324).

ES

Es posible ajustar rango de medición, amortiguación, señalización de fallos, nº Tag así como otros parámetros (véase el software de configuración).



- Fácil manejo
- LED indicador de estado
- Diseño compacto
- No se necesita ninguna alimentación de corriente adicional ni para la unidad de programación ni para el transmisor

(sustituye a la unidad de programación modelo PU-448)

El rango de medición se puede configurar entre $-50 \dots +250 \text{ }^{\circ}\text{C}$ [$-58 \dots +482 \text{ }^{\circ}\text{F}$]. El software de configuración controla el rango de medición deseado y solamente acepta valores admisibles. Es posible configurar valores intermedios, siendo el incremento más pequeño $0,1 \text{ }^{\circ}\text{C}$ o $0,1 \text{ }^{\circ}\text{F}$. Las sondas se fabrican configuradas según las especificaciones del cliente dentro de las posibilidades de configuración.

Nota:

El rango de medida de la sonda es limitado por el campo de aplicación del elemento sensible, no por el margen de ajuste del transmisor.

Temperaturas máximas admisibles:

- En caja con transmisor: $85 \text{ }^{\circ}\text{C}$ [$185 \text{ }^{\circ}\text{F}$]
- Clase A:
 - Sin cuello $-30 \dots +150 \text{ }^{\circ}\text{C}$ [$-22 \dots +302 \text{ }^{\circ}\text{F}$]
 - Con cuello $-30 \dots +250 \text{ }^{\circ}\text{C}$ [$-22 \dots +482 \text{ }^{\circ}\text{F}$]
- Clase B:
 - Sin cuello $-50 \dots +150 \text{ }^{\circ}\text{C}$ [$-58 \dots +302 \text{ }^{\circ}\text{F}$]
 - Con cuello $-50 \dots +250 \text{ }^{\circ}\text{C}$ [$-58 \dots +482 \text{ }^{\circ}\text{F}$]

7. Software de configuración WIKAsoft-TT

7. Software de configuración WIKAsoft-TT

Seguir las instrucciones del asistente de instalación para instalar el software.

7.1 Iniciar el software

Iniciar el software de configuración haciendo doble clic en el icono WIKAsoft-TT.

Después de haber iniciado el software, se puede modificar el idioma mediante la bandera del país correspondiente.

La selección del puerto COM se efectúa automáticamente.



Después de haber conectado un transmisor (con PU-548) se puede cargar la superficie de configuración activando el botón Inicio.



La superficie de configuración sólo puede cargarse con un dispositivo conectado.



7. Software de configuración WIKAsoft-TT

7.2 Proceso de la configuración

Los pasos 1 y 2 se llevan a cabo automáticamente al iniciar el software.

1. “Cargar datos de instrumento”
2. “Cargar configuración”
3. [opcional] Eliminar la protección contra escritura (símbolo de candado abajo a la derecha)
4. Modificación de los parámetros deseados
→ Sensor/rango de medición/señalización de errores, etc.
5. “Guardar en el instrumento”
6. [opcional] Activar la protección contra escritura
7. [opcional] Imprimir protocolo de configuración
8. [opcional] Prueba: “Cargar configuración” → Comprobar configuración

7.3 Diagnóstico de fallo

Aquí se indica el mensaje de errores en caso de un “error detectado por el transmisor”.

Ejemplos: Rotura de sensor, temperatura máxima admisible sobrepasada, etc.

En caso de funcionamiento se indica aquí “ningún error - ninguna necesidad de mantenimiento”.

7.4 Valores de medición

Representación de gráficos de curvas – Aquí se representa el transcurso de los valores de medición en forma de una curva con una tasa de exploración constante en intervalos de tiempo definidos (180 segundos) y un eje de temperatura variable.

El indicador sirve únicamente para la comprobación de funcionamiento y de información.

Una exportación de los datos no es posible.

7.5 Configurar varios instrumentos de manera idéntica

- Primer instrumento
 1. „Cargar configuración“
 2. [opcional] Eliminar la protección contra escritura (símbolo de candado abajo a la derecha)
 3. Modificación de los parámetros deseados
 4. “Guardar en el instrumento”
 5. [opcional] Activar la protección contra escritura

7. Configuración ... / 8. Conectar el PU-548 ...

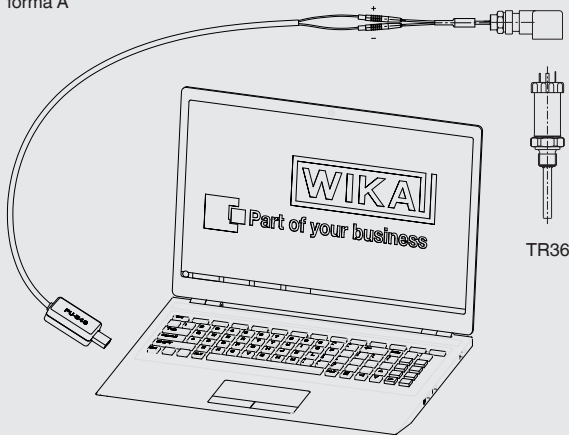
■ Resto de instrumentos

1. "Cargar datos de instrumento"
2. [opcional] Desbloquear la protección contra escritura
3. [opcional] Modificar los parámetros deseados, p. ej., número Tag
4. "Guardar en el instrumento"
5. [opcional] Activar la protección contra escritura

ES

8. Conectar la unidad de programación PU-548

Conexión PU-548 ↔ cable adaptador para conector angular DIN conexión, forma A



(modelo anterior, unidad de programación modelo PU-448, igualmente compatible)

9. Errores



¡CUIDADO!

Lesiones corporales, daños materiales y del medio ambiente

Si no se pueden solucionar los defectos mencionados se debe poner el dispositivo inmediatamente fuera de servicio.

- ▶ Asegurar que el dispositivo no queda expuesto a temperatura o una señal y protegerlo contra usos accidentales.
- ▶ Contactar el fabricante.
- ▶ En caso de devolución, observar las indicaciones del capítulo 11.2 “Devolución”.



Datos de contacto ver capítulo 1 “Información general” o parte posterior del manual de instrucciones.

Errores	Causas	Medidas
Sin señal/rotura de cable	Carga mecánica excesiva o temperaturas extremas	Sustituir el sensor o la unidad de medida extraíble por una versión adecuada
Valores de medición erróneos	Desviación por sobretemperatura	Sustituir el sensor o la unidad de medida extraíble por una versión adecuada
	Desviación por ataque químico	Analizar el medio
Valores de medición erróneos (demasiado bajos)	Penetración de humedad en el cable	Utilizar protección IP adecuada
Valores de medición erróneos y tiempos de activación demasiado largos	Geometría de montaje equivocada, p. ej. profundidad de montaje demasiado reducida o disipación de calor demasiado elevada	La zona del sensor sensible a la temperatura debe situarse en el interior del medio y las superficies deben estar aisladas
	Depósitos en la vaina de tubo	Eliminar los residuos
Interrupciones temporáneas o esporádicas de la señal del valor de medición	Rotura en el cable de conexión o contacto intermitente por sobrecarga mecánica	Sustituir el sensor o usar una sección de cable mayor

9. Errores / 10. Mantenimiento y limpieza

Errores	Causas	Medidas
Corrosión	La composición del medio no coincide con la composición supuesta o se ha modificado	Analizar el medio
Señal perturbada	Interferencia por campos eléctricos o bucles de tierra	Utilizar líneas de conexión blindadas, aumentar la distancia a motores y líneas bajo corriente
	Bucles de tierra	Eliminación de potenciales, uso de fuentes de alimentación o transmisores repetidores aislados galvánicamente

ES

10. Mantenimiento y limpieza



Datos de contacto ver capítulo 1 “Información general” o parte posterior del manual de instrucciones.

10.1 Mantenimiento

Las termorresistencias descritas aquí no requieren mantenimiento y no llevan componentes que pudieran ser susceptibles de reparación o sustitución.

10.2 Limpieza



¡CUIDADO! **Lesiones corporales, daños materiales y del medio ambiente**

Una limpieza inadecuada provoca lesiones corporales, daños materiales y del medio ambiente. Medios residuales en el instrumento desmontado pueden causar riesgos para personas, medio ambiente e instalación.

- ▶ Realizar el proceso de limpieza tal como se describe a continuación.

10. Mantenimiento y limpieza / 11. Desmontaje ...

1. Antes de la limpieza, desenchufar las conexiones eléctricas del instrumento.
2. Limpiar el instrumento con un trapo húmedo.
¡No poner las conexiones eléctricas en contacto con la humedad!



¡CUIDADO!

Daño al dispositivo

¡Una limpieza inadecuada puede dañar el dispositivo!

- ▶ No utilizar productos de limpieza agresivos.
- ▶ No utilizar objetos duros o puntiagudos para limpiar.

3. Enjuagar y limpiar el dispositivo desmontado para proteger a las personas y el medio ambiente contra peligros por medios residuales adherentes.

11. Desmontaje, devolución y eliminación de residuos



¡ADVERTENCIA!

Lesiones corporales, daños materiales y del medio ambiente por medios residuales

Medios residuales en el instrumento desmontado pueden causar riesgos para personas, medio ambiente e instalación.

- ▶ Observar la ficha de datos de seguridad correspondiente al medio.
- ▶ Enjuagar y limpiar el dispositivo desmontado para proteger a las personas y el medio ambiente contra peligros por medios residuales adherentes.

11.1 Desmontaje



¡ADVERTENCIA!

Riesgo de quemaduras

Peligro debido a medios muy calientes que se escapan durante el desmontaje.

- ▶ ¡Dejar enfriar el instrumento lo suficiente antes de desmontarlo!

¡Desmontar las termorresistencias sólo si no están sometidas a presión!

11. Desmontaje, devolución y eliminación de ...

ES

11.2 Devolución

Es imprescindible observar lo siguiente para el envío del instrumento:

Todos los instrumentos enviados a WIKA deben estar libres de sustancias peligrosas (ácidos, lejías, soluciones, etc.) y, por lo tanto, deben limpiarse antes de devolver.

Utilizar el embalaje original o un embalaje adecuado para la devolución del instrumento.

Para evitar daños:

1. Envolver el instrumento en un film de plástico antiestático.
2. Colocar el instrumento junto con el material aislante en el embalaje. Aislar uniformemente todos los lados del embalaje de transporte.
3. Si es posible, adjuntar una bolsa con secante.
4. Aplicar un marcaje que indique que se trata de un envío de un instrumento de medición altamente sensible.



Comentarios sobre el procedimiento de las devoluciones encuentra en el apartado “Servicio” en nuestra página web local.

11.3 Eliminación de residuos

Una eliminación incorrecta puede provocar peligros para el medio ambiente.

Eliminar los componentes de los instrumentos y los materiales de embalaje conforme a los reglamentos relativos al tratamiento de residuos y eliminación vigentes en el país de utilización.



No eliminar en las basuras domésticas. Garantizar una eliminación correcta según las prescripciones nacionales.

12. Datos técnicos

12. Datos técnicos

Elemento sensible

Tipo de elemento sensible

Versión 4 ... 20 mA	Pt1000 (corriente de medición < 0,3 mA; se puede ignorar el autocalentamiento)
Versión Pt100	Pt100 (corriente medida 0,1 ... 1,0 mA)

Tipo de conexionado

Versión 4 ... 20 mA	2 hilos
Versión Pt100	<ul style="list-style-type: none">■ 2 hilos■ 3 hilos■ 4 hilos

Desviación límite del elemento sensible ¹⁾ según IEC 60751

Versión 4 ... 20 mA	Clase A
Versión Pt100	<ul style="list-style-type: none">■ Clase A■ Clase B para 2 hilos

1) Dependiendo de la conexión a proceso, la desviación puede ser mayor.

Datos de exactitud (versión de 4 ... 20 mA)

Desviación límite del elemento sensible ¹⁾ (IEC 60751)	Clase A
Error de medición del transmisor (IEC 62828)	$\pm 0,25$ K o 0,25 % del intervalo ajustado (se aplica el valor mayor)
Error total de medición (IEC 62828) ²⁾	Error de medición del elemento de medición + del transmisor
Influencia de la temperatura ambiente	0,1 % del conjunto de medición del span / 10 K T _a
Influencia de la alimentación auxiliar	$\pm 0,025$ % del conjunto de medición del span / V (en función de la tensión de alimentación U _B)
Influencia de la carga	$\pm 0,05$ % del conjunto de medición del span/100 Ω
Linealización	Linealidad según IEC 60751
Error de salida	$\pm 0,1$ % ³⁾ del conjunto de medición del span

12. Datos técnicos

Datos de exactitud (versión de 4 ... 20 mA)

Condiciones de referencia

Temperatura ambiente T_a ref	23 °C
Tensión de alimentación U_B ref	DC 24 V

- 1) Dependiendo de la conexión a proceso, la desviación puede ser mayor.
- 2) Durante las interferencias transitorias (p.ej. burst, surge, ESD) considerar un error de medición de hasta 2,5 %.
- 3) $\pm 0,2$ % para el inicio del rango de medición inferior a 0 °C [32 °F]

Rango de medición

Rango de temperatura

Versión 4 ... 20 mA	Sin cuello -30 ... +150 °C [-22 ... +302 °F] Con cuello -30 ... +250 °C [-22 ... +482 °F] ¹⁾	
Versión Pt100	Clase A	Sin cuello -30 ... +150 °C [-22 ... +302 °F] Con cuello -30 ... +250 °C [-22 ... +482 °F] ¹⁾
	Clase B	Sin tubo de cuello -50 ... +150 °C [-58 ... +302 °F] Con tubo de cuello -50 ... +250 C [-58 ... +482 F] ¹⁾

Unidad (versión de 4 ... 20 mA) Configurables °C, °F, K

Temperatura en el conector (versión Pt100) Máx. 85 °C [185 °F]

Rango de medición (versión de 4 ... 20 mA) Mín. 20 K, máx. 300 K

- 1) Proteger el transmisor de temperatura de temperaturas superiores a 85 °C [185 °F].

12. Datos técnicos

Conexión a proceso

Tipo de de conexión a proceso	<ul style="list-style-type: none"> ■ G ¼ B ■ G ⅜ B ■ G ½ B ■ ¼ NPT ■ ½ NPT ■ M12 x 1,5 ■ M20 x 1,5
--------------------------------------	---

Vaina de tubo

Diámetro de la vaina de tubo	<ul style="list-style-type: none"> ■ 3 mm [0,12 pulg] ■ 6 mm [0,24 pulg] ■ 8 mm [0,31 pulg]
Longitud de montaje U_1	<ul style="list-style-type: none"> ■ 50 mm [1,97 pulg] ■ 75 mm [2,95 pulg] ¹⁾ ■ 100 mm [3,94 pulg] ¹⁾ ■ 120 mm [4,72 pulg] ¹⁾ ■ 150 mm [5,91 pulg] ¹⁾ ■ 200 mm [7,87 pulg] ¹⁾ ■ 250 mm [9,84 pulg] ¹⁾ ■ 300 mm [11,81 pulg] ¹⁾ ■ 350 mm [13,78 pulg] ¹⁾ ■ 400 mm [15,75 pulg] ¹⁾ <p>Otras longitudes de montaje bajo pedido</p>
Material (en contacto con el medio)	Acero inoxidable 1.4571

1) No apto para el diámetro del tubo de protección 3 mm [0,12 pulg]

Si la termorresistencia debe funcionar en una vaina adicional, debe utilizarse un racor deslizando con resorte.

Señal de salida (versión de 4 ... 20 mA)

Salida analógica	4 ... 20 mA, 2 hilos
Carga R_A	$R_A \leq (U_B - 10 V) / 23 m_A$ con R_A en Ω y U_B en V La carga admisible depende de la tensión del bucle de alimentación.

12. Datos técnicos

Señal de salida (versión de 4 ... 20 mA)

Configuración de fábrica

Rango de medición	Rango de medición: 0 ... 150 °C [32 ... 302 °F]
-------------------	---

	Otros rangos de medición ajustables
--	-------------------------------------

Valores de corriente para señalización de errores	Configurable según NAMUR NE 043 descendente < 3,6 mA (3,5 mA) ascendente > 21,0 mA (21,5 mA)
---	--

Valor de la corriente para el cortocircuito del sensor	No configurable según NAMUR NE 043 descendente \leq 3,6 mA (3,5 mA)
--	--

Comunicación

Datos informativos	N° Tag, descripción y mensaje para usuario pueden guardarse en el transmisor
--------------------	--

Datos de configuración y calibración	Permanentemente guardados
--------------------------------------	---------------------------

Software de configuración	WIKAsoft-TT → El software de configuración (en varios idiomas) puede descargarse en www.wika.es
---------------------------	---

Alimentación de corriente

Alimentación auxiliar U_B	DC 10 ... 30 V
-----------------------------	----------------

Entrada de la energía auxiliar	Protección contra polaridad inversa
--------------------------------	-------------------------------------

Ondulación residual admisible de la tensión de alimentación	10 % de U_B generado < 3 % ondulación de la corriente de salida
---	---

Tiempo de respuesta

Retardo de conexión, eléctrico	máx. 4 s (tiempo hasta el primer valor de medición)
--------------------------------	---

Tiempo de calentamiento	Después de aprox. 4 minutos se obtienen los datos técnicos (exactitud) indicados en la hoja técnica.
-------------------------	--

ES

12. Datos técnicos

Condiciones de utilización

Rango de temperaturas ambiente	-40 ... +85 °C [-40 ... +185 °F]
Rango de temperatura de almacenamiento	-40 ... +85 °C [-40 ... +185 °F]
Clase climática (IEC 60654-1)	Cx (-40 ... +85 °C [-40 ... +185 °F], 5 ... 95 % h. r.)
Humedad máxima admisible, condensación	100 % h. r., rocío admisible
Presión de trabajo máxima ^{1) 2)}	
Para vaina de tubo Ø 3 mm [0,12 pulg]	140 bar [2.030 pulg]
Para vaina de tubo Ø 6 mm [0,24 pulg]	270 bar [3.916 pulg]
Para vaina de tubo Ø 8 mm [0,31 pulg]	400 bar [5.801 pulg]
Niebla salina	IEC 60068-2-11
Resistencia a la vibración (IEC 60751)	10 ... 2.000 Hz, 8 g ¹⁾
Resistencia a choques (IEC 60068-2-27)	50 g, 6 ms, 3 ejes, 3 direcciones, 3 veces por dirección
Protección IP	IP65 según IEC/EN 60529 Las clases de protección indicadas sólo son válidas en estado conectado con clavijas de cables y terminales según el modo de protección correspondiente.
Peso	aprox. 0,2 ... 0,7 kg [0,44 ... 1,54 lbs] - según la versión

1) Depende de la versión

2) Presión de trabajo reducida cuando se utiliza un racor de apriete:
Acero inoxidable = máx. 100 bar [1.450 pulg] / PTFE = máx. 8 bar [116 pulg]

Para consultar más datos técnicos, véase la hoja técnica de WIKA TE 60.36 y la documentación del pedido.

WIKA subsidiaries worldwide can be found online at www.wika.com.
WIKA-Niederlassungen weltweit finden Sie online unter www.wika.de.
La liste des filiales WIKA dans le monde se trouve sur www.wika.fr.
Sucursales WIKA en todo el mundo puede encontrar en www.wika.es.



WIKAL Alexander Wiegand SE & Co. KG

Alexander-Wiegand-Strasse 30

63911 Klingenberg • Germany

Tel. +49 9372 132-0

Fax +49 9372 132-406

info@wika.de

www.wika.de