

- 1
- 2
- 3
- 4
- 5
- 6
- 7
- 8
- 9
- 10
- 11
- 12
- 13
- 14
- 15
- 16
- 17
- 18

MATERIAL

Cast aluminium with epoxy resin coating, matte finish.

HUB CAP

Technopolymer, light grey colour, glossy finish.

STANDARD EXECUTIONS

Fold-away handle in polyamide based (PA) technopolymer, black colour, matte finish.

Black-oxide steel pin, base and screw.

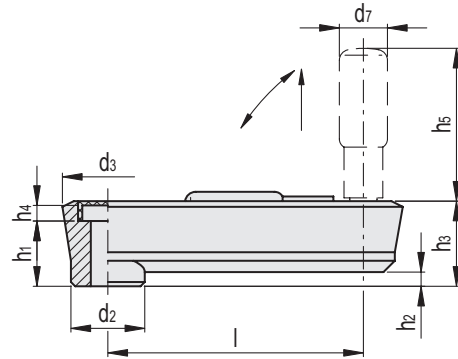
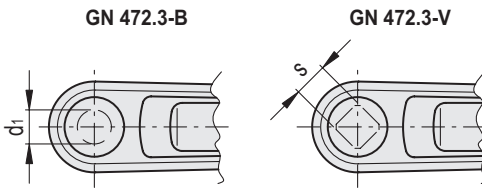
- **GN 472.3-B**: H7 reamed hole.

- **GN 472.3-V**: H11 square hole.

Colour index:

- **SW**: RAL 9005 black colour.

- **SR**: RAL 9006 grey colour.



GN 472.3-B

Code	Description	l	d1 H7	d2	d3	h1	h2	h3	h4	h5	d7	△△
GN.22711	GN 472.3-80-B10-SW	80	10	23	30	19.5	4	25.5	4.3	43	16	145
GN.22715	GN 472.3-80-B10-SR	80	10	23	30	19.5	4	25.5	4.3	43	16	145
GN.22721	GN 472.3-100-B12-SW	100	12	26.7	35	23.5	5.5	29.5	4.2	57.5	18	213
GN.22725	GN 472.3-100-B12-SR	100	12	26.7	35	23.5	5.5	29.5	4.2	57.5	18	213
GN.22731	GN 472.3-125-B14-SW	125	14	28	37	30.5	10.5	36.5	4.2	76.5	24	305
GN.22735	GN 472.3-125-B14-SR	125	14	28	37	30.5	10.5	36.5	4.2	76.5	24	305

GN 472.3-V

Code	Description	l	sH11	d2	d3	h1	h2	h3	h4	h5	d7	△△
GN.22712	GN 472.3-80-V10-SW	80	10	23	30	19.5	4	25.5	4.3	43	16	142
GN.22716	GN 472.3-80-V10-SR	80	10	23	30	19.5	4	25.5	4.3	43	16	142
GN.22722	GN 472.3-100-V12-SW	100	12	26.7	35	23.5	5.5	29.5	4.2	57.5	18	210
GN.22726	GN 472.3-100-V12-SR	100	12	26.7	35	23.5	5.5	29.5	4.2	57.5	18	210
GN.22732	GN 472.3-125-V14-SW	125	14	28	37	30.5	10.5	36.5	4.2	76.5	24	301
GN.22736	GN 472.3-125-V14-SR	125	14	28	37	30.5	10.5	36.5	4.2	76.5	24	301