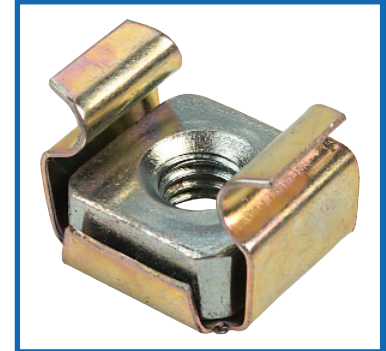


Panel Cage Nut



DESCRIPTION

Cage Nuts (also known as a captive nuts) comprising a square steel nut enclosed within a spring steel cage.

They are quick and easy to install and designed to be self-retaining. The two mounting legs/wings of the cage, when pressed together, allow the nut to be clipped into a square hole and hold the nut securely in position. The nuts float inside the cage to allow for minor adjustments when fitting equipment to racks or panels.

DISTINCTIVE FEATURES

- Spring Steel Cage
- Zinc & Clear Cr3 Finish
- Square style
- M5 and M6 options
- Supplied in packs of 50

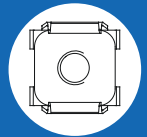
APPLICATIONS

Typical applications include IT server racks, mounting of lighting systems, and fitting electrical equipment and instruments to rail racks or panels.

Note: Cage nuts are designed to be fitted into the equipment rail or panel square holes with the mounting legs/wings engaging the vertical sides of the square holes.

Steel

Zinc
& Clear
Cr3





GENERAL SPECIFICATION

Series	Panel Cage Nuts
Type	Spring Steel



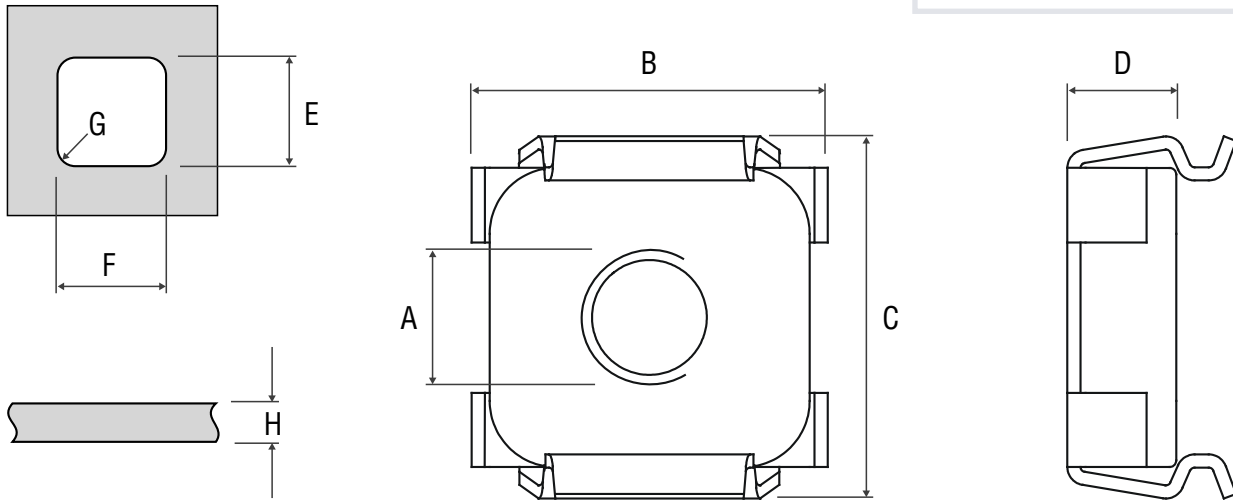
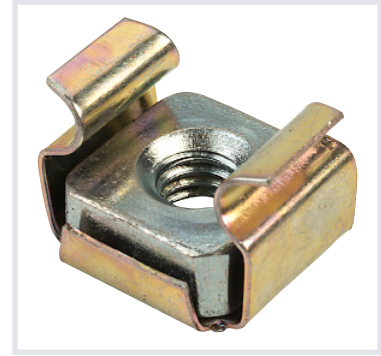
MATERIALS

Material	Steel
Finish	Zinc & Clear Cr3



DIMENSIONS/DRAWINGS

Units	mm - unless stated otherwise
-------	------------------------------



PART NUMBER TABLE

Part number	A	B	C	D	E	F	G	H	UNSPSC	EAN	Country of Origin
33-7135	M5	13.72	14.22	6.1	9.53	9.53	0.8°	0.7-1.6	73181558	5053556010486	China
33-7136	M5	13.72	14.22	6.1	9.53	9.53	0.8°	1.7-2.5	73181558	5053556010493	China
33-7137	M6	13.72	14.22	6.1	9.53	9.53	0.8°	0.7-1.6	73181558	5053556010509	China
33-7138	M6	13.72	14.22	6.1	9.53	9.53	0.8°	1.7-2.5	73181558	5053556010516	China

For further information on pricing, delivery, and long-term stock agreements please get in touch with your local business development contact, telephone our main office on **01206 838000** or email Sales@Rapidonline.com.



Important Notice: This data sheet and its contents (the "Information") belong to Rapid Electronics Limited or are licensed to it. No licence is granted for the use of it other than for information purposes in connection with the products to which it relates. No licence of any intellectual property rights is granted. The Information is subject to change without notice and replaces all data sheets previously supplied. The Information supplied is believed to be accurate but Rapid Electronics Limited assumes no responsibility for its accuracy or completeness, any error in or omission from it or for any use made of it. Users of this data sheet should check for themselves the Information and the suitability of the products for their purpose and not make any assumptions based on information included or omitted. Liability for loss or damage resulting from any reliance on the Information or use of it (including liability resulting from negligence or where Rapid Electronics Limited were aware of the possibility of such loss or damage arising) is excluded. This will not operate to limit or restrict Rapid Electronics Limited's liability for death or personal injury resulting from its negligence.