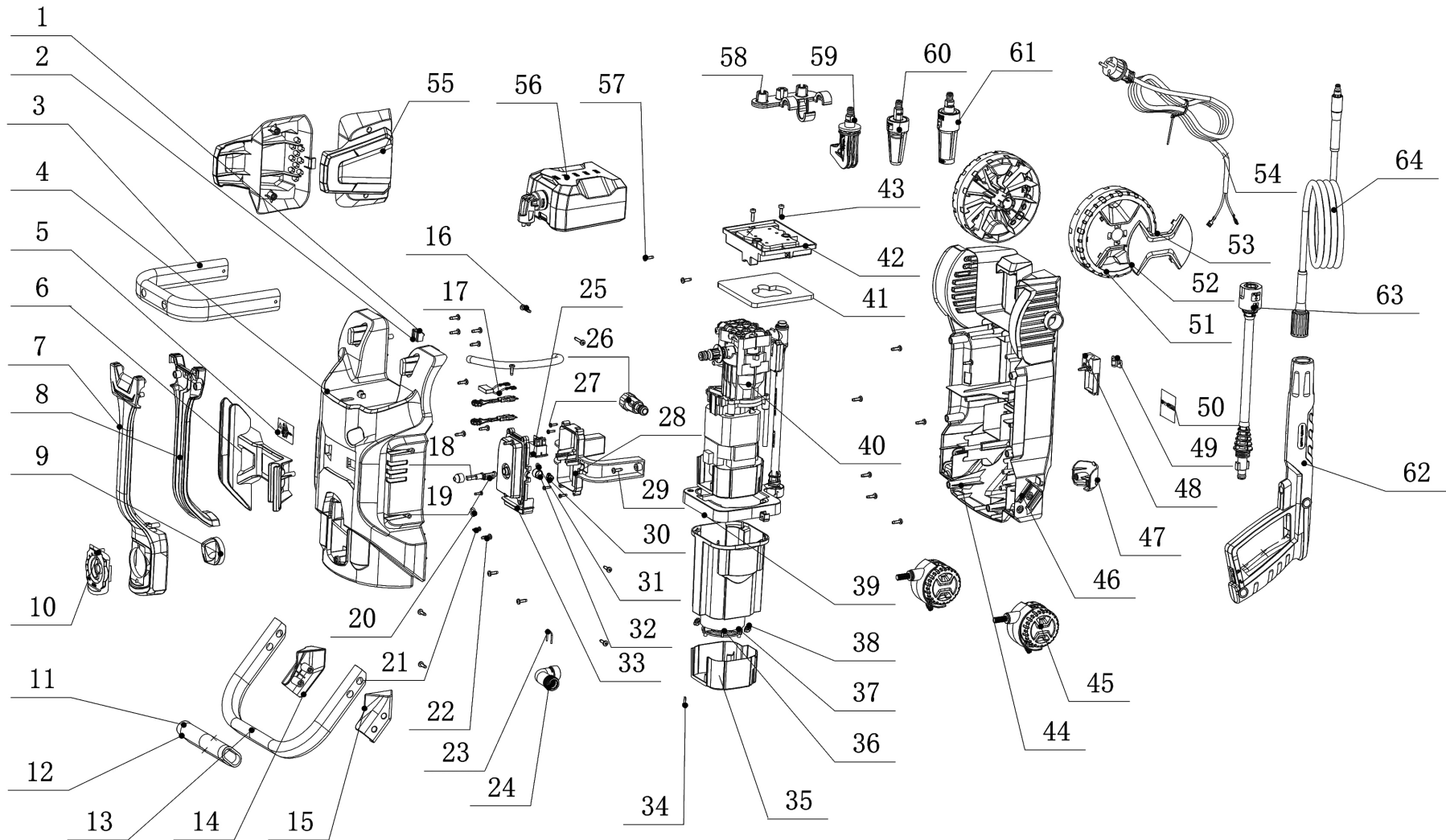




Parts Information:
Pull Along Pressure Washer 140bar with TSS 1800W
Model No: PW2000PA



NOTE: It is our policy to continually improve products and as such we reserve the right to alter data, specifications and component parts without prior notice.

There may be alternative versions of this product, please contact us should you require this information.

IMPORTANT: No liability is accepted for incorrect use of product. Spare parts must be fitted by a competent person

WARRANTY: Guarantee is 12 months from purchase date, proof of which will be required for any claim.

Sealey Group, Kempson Way, Suffolk Business Park, Bury St Edmunds, Suffolk. IP32 7AR



01284 757500



01284 703534



sales@sealey.co.uk



www.sealey.co.uk



Parts Information:
**Pull Along Pressure Washer 140bar with
TSS 1800W
Model No: PW2000PA**

| Item | Part No. | Description |
|------|--------------|------------------------------|
| 1 | PW2000PA.B01 | Top Cover Plug |
| 2 | PW2000PA.B02 | Detergent Bottle Hook |
| 3 | PW2000PA.B03 | Metal Handle (Rear) |
| 4 | PW2000PA.B04 | Front Cover |
| 5 | PW2000PA.B05 | Warning Label |
| 6 | PW2000PA.B06 | Pressure Gun Holder |
| 7 | PW2000PA.B07 | Centre Handle (Top) |
| 8 | PW2000PA.B08 | Centre Handle (Bottom) |
| 9 | PW2000PA.B09 | Rotary Knob |
| 10 | PW2000PA.B10 | Rotary Knob Cover |
| 11 | PW2000PA.B11 | Metal Handle Cover |
| 12 | PW2000PA.B12 | Handle Sleeve |
| 13 | PW2000PA.B13 | Metal Handle (Front) |
| 14 | PW2000PA.B14 | Metal Handle Support (Left) |
| 15 | PW2000PA.B15 | Metal Handle Support (Right) |
| 16 | PW2000PA.B16 | Self Tapping Screw |
| 17 | PW2000PA.B17 | Capacitor |
| 18 | PW2000PA.B18 | Switch Box Assembly |
| 19 | PW2000PA.B19 | Switch Lever |
| 20 | PW2000PA.B20 | O-Ring |
| 21 | PW2000PA.B21 | Self-Tapping Screw |
| 22 | PW2000PA.B22 | Self-Tapping Screw |
| 23 | PW2000PA.B23 | U-Pin |
| 24 | PW2000PA.B24 | Inlet Elbow |
| 25 | PW2000PA.B25 | Main Switch |
| 26 | PW2000PA.B26 | Water Inlet |
| 27 | PW2000PA.B27 | Self-Tapping Screw |
| 28 | PW2000PA.B28 | Switch Box (Back) |
| 29 | PW2000PA.B29 | Self-Tapping Screw |
| 30 | PW2000PA.B30 | Waterproof Plug |
| 31 | PW2000PA.B31 | O-Ring |
| 32 | PW2000PA.B32 | Waterproof Cap |

| Item | Part No. | Description |
|------|--------------|--------------------------------|
| 33 | PW2000PA.B33 | Switch Box Cover (Front) |
| 34 | PW2000PA.B34 | Self-Tapping Screw |
| 35 | PW2000PA.B35 | Deflector Cover |
| 36 | PW2000PA.B36 | Rear Cover |
| 37 | PW2000PA.B37 | Motor Fan Cover |
| 38 | PW2000PA.B38 | Waterproof Seal |
| 39 | PW2000PA.B39 | Motor Support |
| 40 | PW2000PA.B40 | Motor & Pump Assembly |
| 41 | PW2000PA.B41 | Front Filter |
| 42 | PW2000PA.B42 | Pump Base |
| 43 | PW2000PA.B43 | Self Tapping Screw |
| 44 | PW2000PA.B44 | Back Cover |
| 45 | PW2000PA.B45 | Castor Wheel |
| 46 | PW2000PA.B46 | Pressure Gun Holder Base |
| 47 | PW2000PA.B47 | Pressure Gun Holder |
| 48 | PW2000PA.B48 | Cable Plate |
| 49 | PW2000PA.B49 | Cable Grip |
| 50 | PW2000PA.B50 | Rating Label |
| 51 | PW2000PA.B51 | Roller Assembly |
| 52 | PW2000PA.B52 | Rear Wheel (Fixed) |
| 53 | PW2000PA.B53 | Fixed Rear Wheel Cover |
| 54 | PW2000PA.B54 | Power Cord |
| 55 | PW2000PA.B55 | High Pressure Hose Hook |
| 56 | PW2000PA.B56 | Detergent Bottle |
| 57 | PW2000PA.B57 | Self Tapping Screw |
| 58 | PW2000PA.B58 | Nozzle Holder |
| 59 | PW2000PA.B59 | Variable Spray Nozzle (Angled) |
| 60 | PW2000PA.B60 | Turbo Jet Nozzle |
| 61 | PW2000PA.B61 | Variable Spray Nozzle |
| 62 | PW2000PA.B62 | Pressure Gun |
| 63 | PW2000PA.B63 | Pressure Lance |
| 64 | PW2000PA.B64 | High Pressure Hose 5m |

NOTE: It is our policy to continually improve products and as such we reserve the right to alter data, specifications and component parts without prior notice. There may be alternative versions of this product, please contact us should you require this information.

IMPORTANT: No liability is accepted for incorrect use of product. Spare parts must be fitted by a competent person

WARRANTY: Guarantee is 12 months from purchase date, proof of which will be required for any claim.

Sealey Group, Kempson Way, Suffolk Business Park, Bury St Edmunds, Suffolk. IP32 7AR



01284 757500



01284 703534



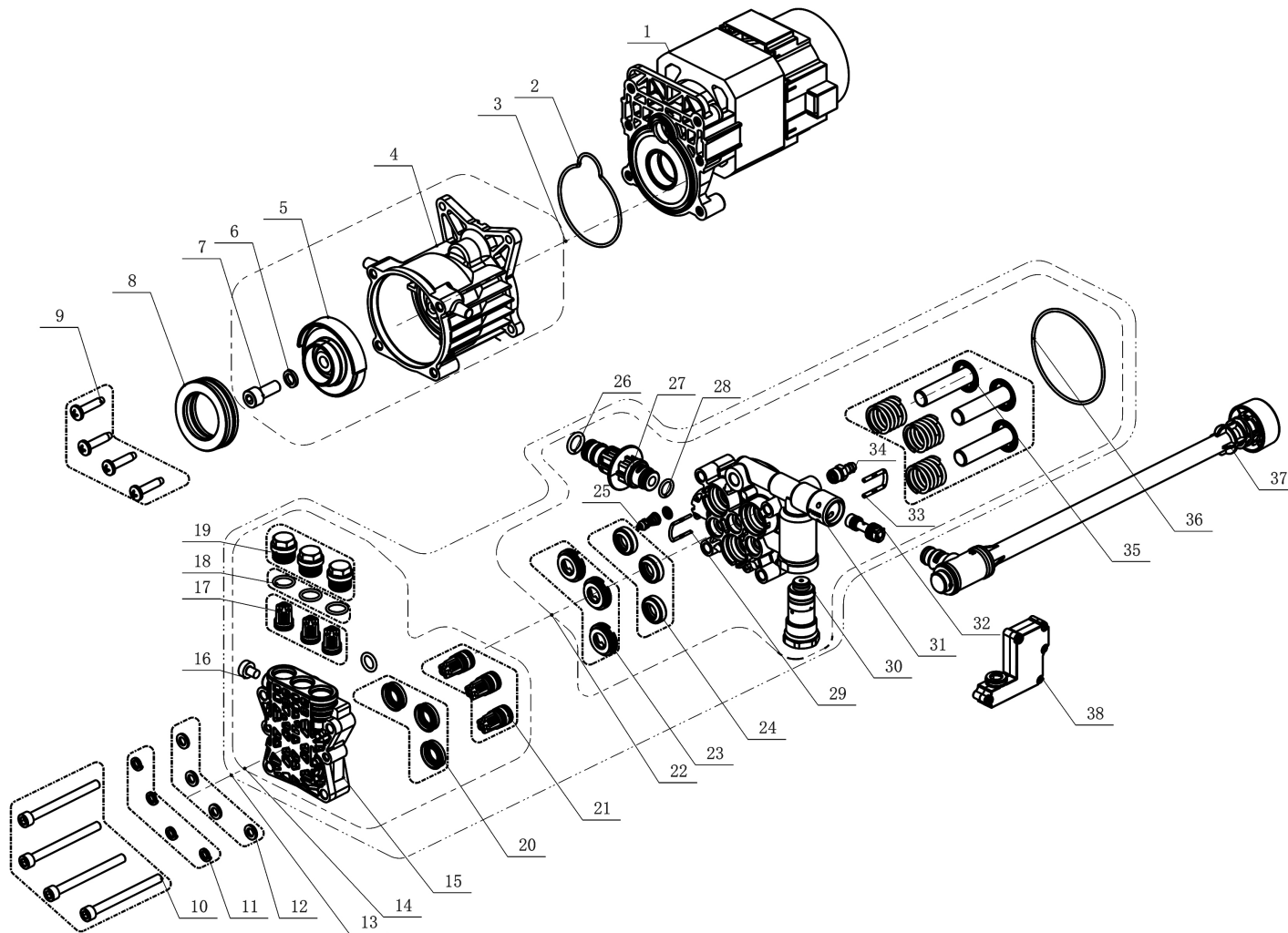
sales@sealey.co.uk



www.sealey.co.uk



Parts Information:
Pull Along Pressure Washer 140bar with TSS 1800W
Model No: PW2000PA



NOTE: It is our policy to continually improve products and as such we reserve the right to alter data, specifications and component parts without prior notice.

There may be alternative versions of this product, please contact us should you require this information.

IMPORTANT: No liability is accepted for incorrect use of product. Spare parts must be fitted by a competent person

WARRANTY: Guarantee is 12 months from purchase date, proof of which will be required for any claim.

Sealey Group, Kempson Way, Suffolk Business Park, Bury St Edmunds, Suffolk. IP32 7AR



01284 757500



01284 703534



sales@sealey.co.uk



www.sealey.co.uk



Parts Information:
**Pull Along Pressure Washer 140bar with
TSS 1800W
Model No: PW2000PA**

| Item | Part No. | Description |
|------|--------------|---|
| 1 | PW2000PA.M01 | Motor |
| 2 | PW2000PA.M02 | Motor Seal |
| 3 | PW2000PA.M03 | Gearbox Assembly |
| 4 | PW2000PA.M04 | Gearbox |
| 5 | PW2000PA.M05 | Wobble Plate |
| 6 | SWM8.S | Spring Washer M8 |
| 7 | SCB820.SB | Socket Cap Bolt M8 x 20mm Black |
| 8 | B/51107 | Bearing Race 51107 |
| 9 | MSP525.S | Machine Screw Pan Head Phillips M5 X 25mm |
| 10 | SCB670.SB | Socket Cap Bolt M6 x 70mm Black |
| 11 | SWM6.SB | Spring Washer M6 Black |
| 12 | FWM6.SB | Flat Washer M6 Black |
| 13 | PW2000PA.M13 | Complete Pump Assembly |
| 14 | PW2000PA.M14 | Pump Head Assembly |
| 15 | PW2000PA.M15 | Pump Head |
| 16 | PW2000PA.M16 | Pump Head Plug |
| 17 | PW2000PA.M17 | Outlet Check Valve Assembly |
| 18 | PW2000PA.M18 | O-Ring |
| 19 | PW2000PA.M19 | Check Valve Nut |

| Item | Part No. | Description |
|------|--------------|--------------------------|
| 20 | PW2000PA.M20 | Y-Seal |
| 21 | PW2000PA.M21 | Inlet Valve Assembly |
| 22 | PW2000PA.M22 | Pump Assembly |
| 23 | PW2000PA.M23 | Water Seal Support |
| 24 | PW2000PA.M24 | Water Seal |
| 25 | PW2000PA.M25 | Check Valve |
| 26 | PW2000PA.M26 | O-Ring 11.5 x 2.5 |
| 27 | PW2000PA.M27 | Water Inlet Pipe |
| 28 | PW2000PA.M28 | O-Ring 10 x 2.2 |
| 29 | PW2000PA.M29 | U-Pin |
| 30 | PW2000PA.M30 | Relief Valve Assembly |
| 31 | PW2000PA.M31 | Pump Body |
| 32 | PW2000PA.M32 | Pump Body Valve |
| 33 | PW2000PA.M33 | U-Pin |
| 34 | PW2000PA.M34 | Suction Head Assembly |
| 35 | PW2000PA.M35 | Piston/Plunger Assembly |
| 36 | PW2000PA.M36 | O-Ring |
| 37 | PW2000PA.M37 | Quick Connector Lance |
| 38 | PW2000PA.M38 | Microswitch Box Assembly |

NOTE: It is our policy to continually improve products and as such we reserve the right to alter data, specifications and component parts without prior notice. There may be alternative versions of this product, please contact us should you require this information.

IMPORTANT: No liability is accepted for incorrect use of product. Spare parts must be fitted by a competent person

WARRANTY: Guarantee is 12 months from purchase date, proof of which will be required for any claim.

Sealey Group, Kempson Way, Suffolk Business Park, Bury St Edmunds, Suffolk. IP32 7AR



01284 757500



01284 703534



sales@sealey.co.uk



www.sealey.co.uk