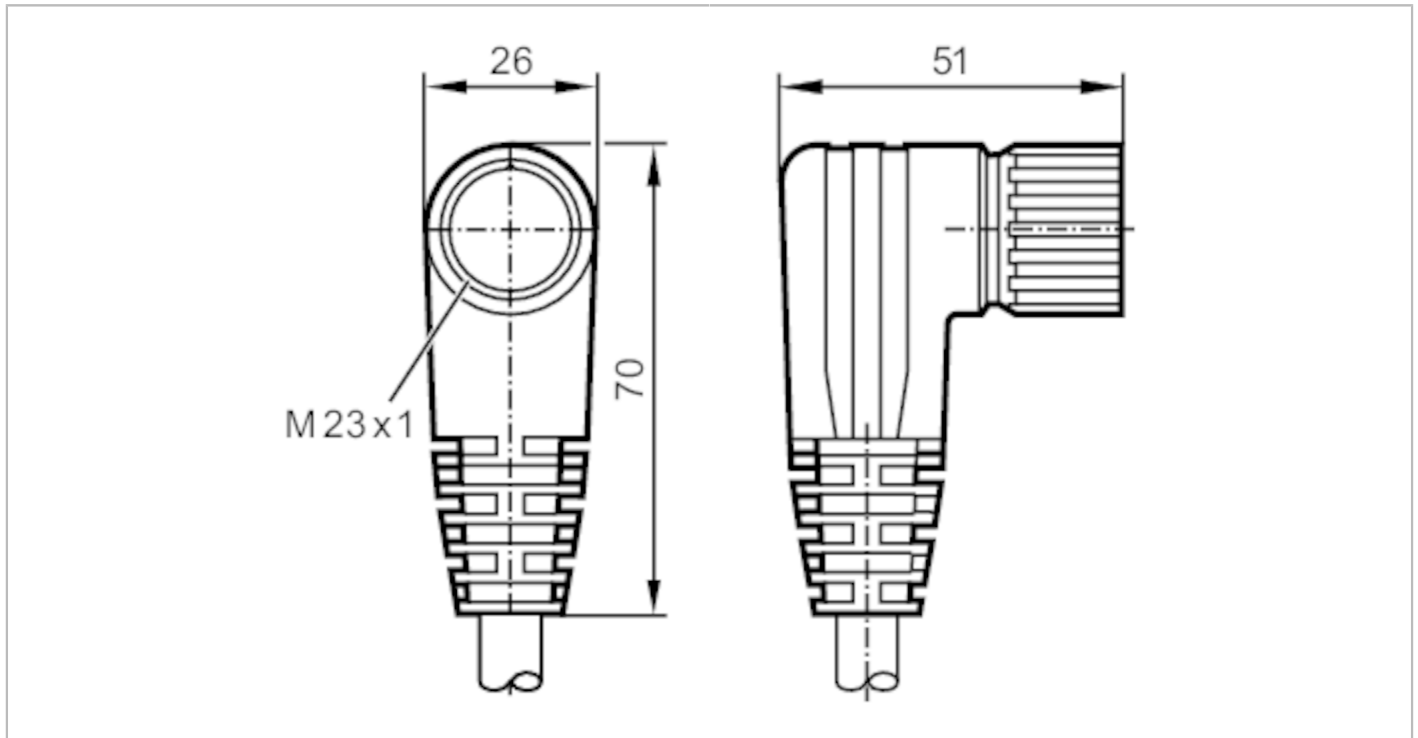


E11741



Connecting cable with socket

ADOAK120MSS0015H12



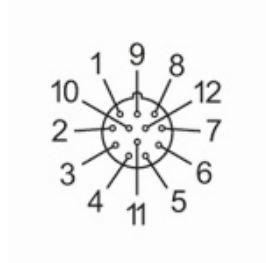
| Application | |
|---|----------------------|
| Special feature | Halogen-free |
| Electrical data | |
| Operating voltage [V] | < 63 AC/DC |
| Operating conditions | |
| Ambient temperature [°C] | -25...80 |
| Protection | IP 67 |
| Mechanical data | |
| Weight [g] | 2055 |
| Dimensions [mm] | 51 x 26 x 70 |
| Materials | PUR black |
| Material nut | brass, nickel-plated |
| Tightening torque [Nm] | 2 |
| Remarks | |
| Pack quantity | 1 pcs. |
| Electrical connection | |
| Cable: 15 m, PUR, Halogen-free, black, Ø 9.3 mm; 8 x 0.5 mm ² (63 x Ø 0.1 mm) + 3 x 1.0 mm ² (127 x Ø 0.1 mm) | |
| Electrical connection - socket | |
| Connector: 1 x M23, angled; Moulded body: PUR; Locking: brass, nickel-plated | |

E11741

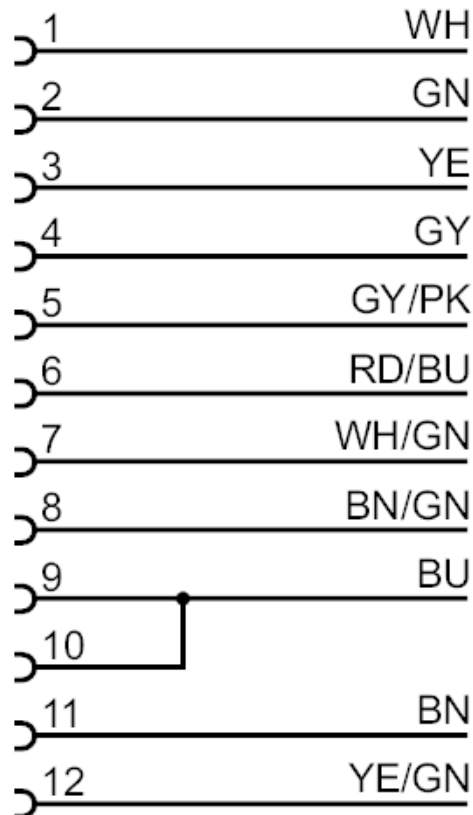


Connecting cable with socket

ADOAK120MSS0015H12



Connection



Core colours :

| | |
|------|--------|
| BN = | brown |
| BU = | blue |
| GN = | green |
| GY = | grey |
| PK = | pink |
| RD = | red |
| WH = | white |
| YE = | yellow |