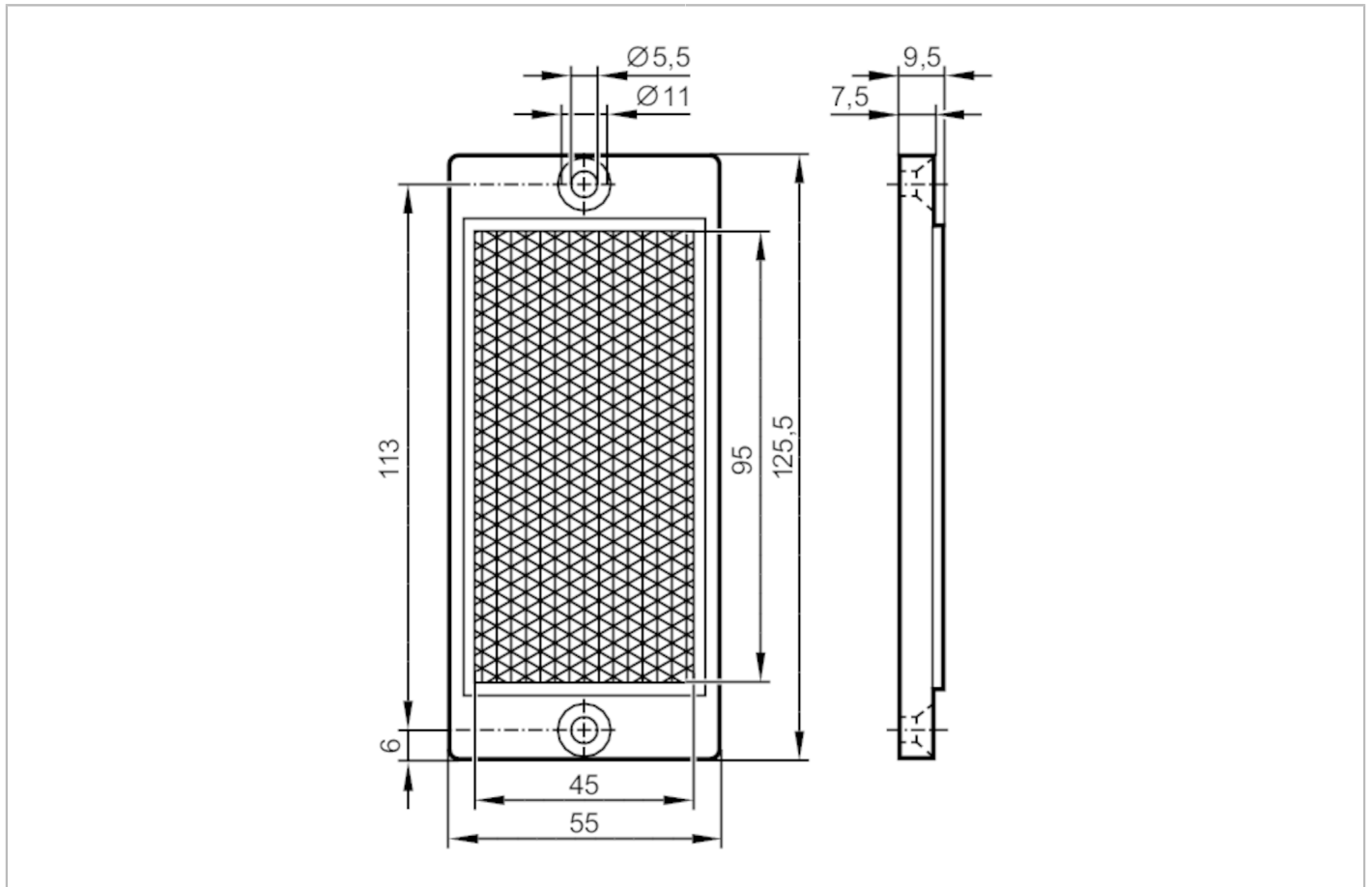


E20453



Reflector for retro-reflective sensors

REFLECTOR TS-93x45



Application	
Design	rectangular, for red light and infrared light retro-reflective sensors
Operating conditions	
Ambient temperature	[°C] -10...60
Mechanical data	
Weight	[g] 47.2
Dimensions	[mm] 55 x 125.5 x 9.5
Materials	plastics
Remarks	
Pack quantity	1 pcs.