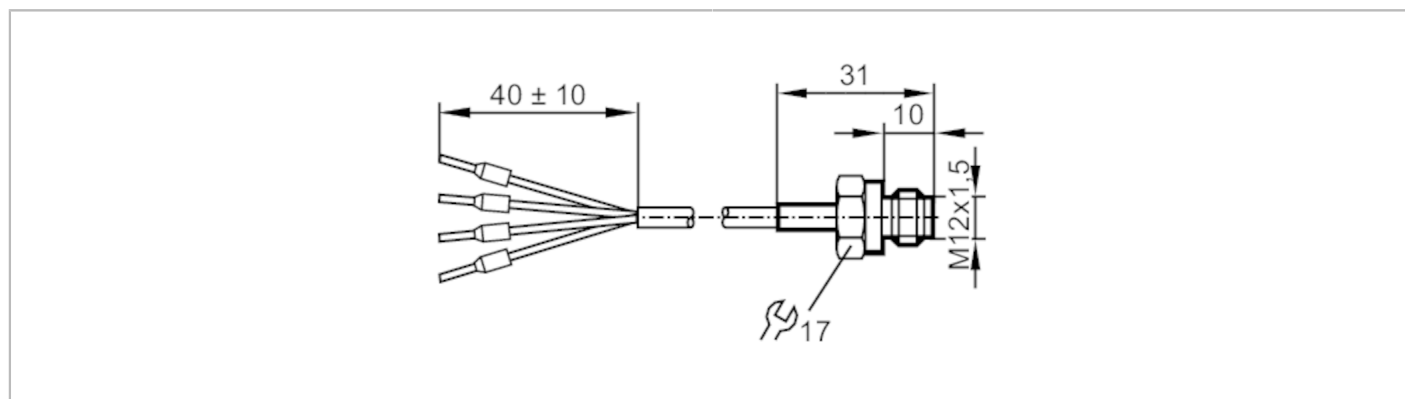


TS5951



Temperature cable sensor with screw-in sensor

TS-500KLKM...



ERC

Product characteristics		
Measuring range	-30...150 °C	-22...302 °F
Process connection	threaded connection M12 x 1,5 external thread	
Application		
Measuring element	1 x Pt 100; (to DIN EN 60751, class A)	
Installation	surface mount RTD for solid bodies	
Pressure rating [bar]	500	
Electrical data		
Protection class	III	
Measuring/setting range		
Measuring range	-30...150 °C	-22...302 °F
Accuracy / deviations		
Accuracy [K]	± (0,15 K + 0,002 x t)	
Response times		
Dynamic response T05 / T09 [s]	4 / 12; (to DIN EN 60751)	
Operating conditions		
Protection	IP 67	
Tests / approvals		
MTTF [years]	12683.9	
Mechanical data		
Weight [g]	212.5	
Housing	screw-in sensor	
Dimensions [mm]	M12 x 1.5 / L = 31	
Thread designation	M12 x 1.5	
Materials	stainless steel (1.4301 / 304)	
Process connection	threaded connection M12 x 1,5 external thread	
Remarks		
Pack quantity	1 pcs.	

TS5951



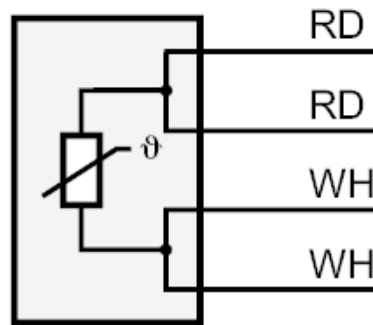
Temperature cable sensor with screw-in sensor

TS-500KLM...

Electrical connection

Cable: 5 m, silicone; with wire end ferrules

Connection



Core colours :

RD =

red

WH =

white