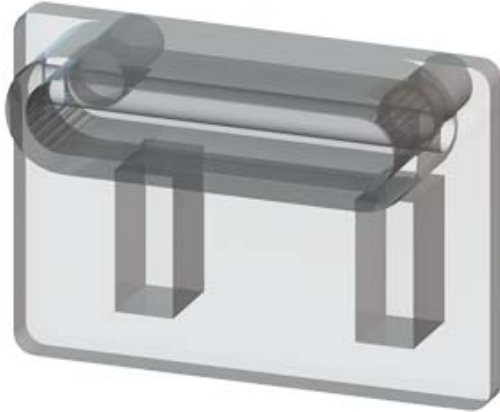


SEALABLE COVER F. CONT. RELAYS A. MOTOR
CONT. 3RH2 / 3RT2 PROTECTION AGAINST
UNINTENTIONAL MANUAL OPERATION MULTI-UNIT
PACKAGING, 5 UNITS



General technical data:		
product brand name		SIRIUS
Product designation		sealable cover
Ambient temperature		
• during storage	°C	-50 ... +80
• during operation	°C	-25 ... +60
Protection against electrical shock		finger-safe with cover

Certificates/ approvals:	
Certificate of suitability	CE

General Product Approval	Shipping Approval
--------------------------	-------------------



GL

LRS

Shipping Approval	other
-------------------	-------



[Environmental Confirmations](#)

[Confirmation](#)

Further information

Information- and Downloadcenter (Catalogs, Brochures,...)

<http://www.siemens.com/industrial-controls/catalogs>

Industry Mall (Online ordering system)

<http://www.siemens.com/industrymall>

Cax online generator

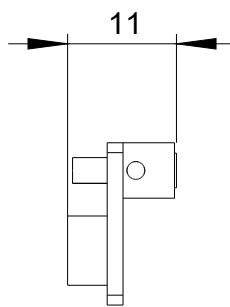
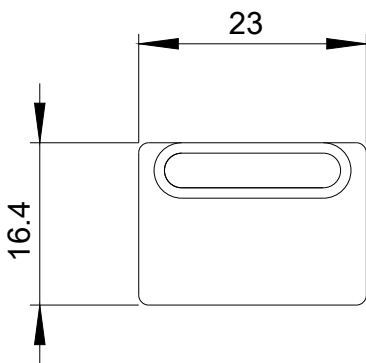
<http://support.automation.siemens.com/WW/CAXorder/default.aspx?lang=en&mfb=3RT29164MA10>

Service&Support (Manuals, Certificates, Characteristics, FAQs,...)

<http://support.automation.siemens.com/WW/view/en/3RT29164MA10/all>

Image database (product images, 2D dimension drawings, 3D models, device circuit diagrams, EPLAN macros, ...)

<http://www.automation.siemens.com/bilddb/index.aspx?attID9=3RT29164MA10&lang=en>



last modified:

15.01.2015