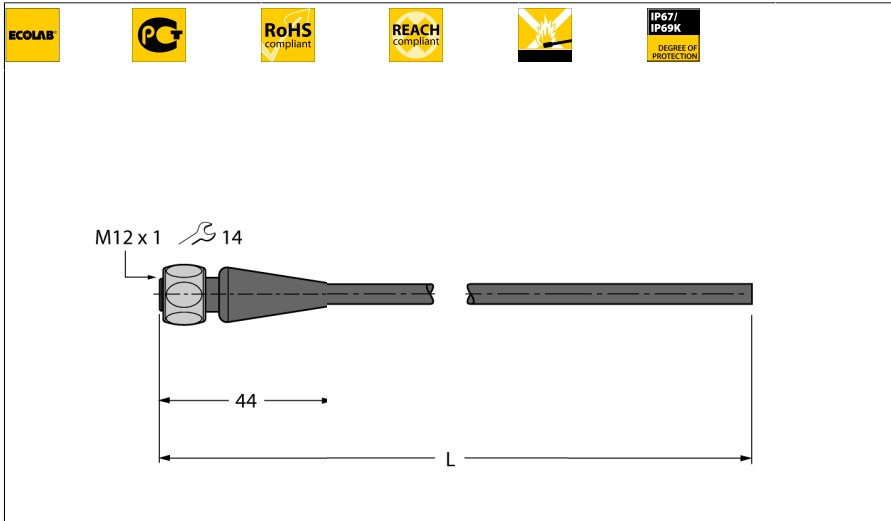


Food & Beverage Hygienic, PVC Connection Cable RKH4.4-10/TFE

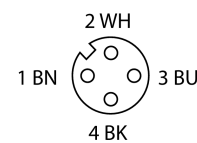
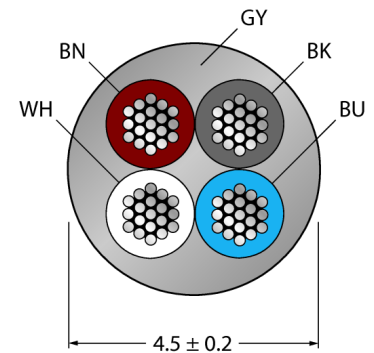
TURCK

Industrial
Automation

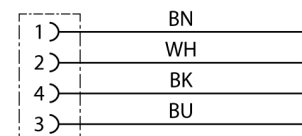


- M12 female connector, straight, 4-pin
- Stainless steel coupling nut/screw
- Sheath material: PVC
- Sheath color: gray RAL 7040
- Resistant to acids and alkalis
- Resistant to oils and chemicals
- Flame-retardant acc. to DIN EN 60332 1-2, DIN EN 60332 2-2, VDE 0482 332-1-2, VDE 0482 332-2-2
- Approvals: cULus, Gost, Ecolab
- RoHS and REACH compliant
- Protection classes IP67, IP69K
- Cable length: 10 m

Cable Cross-section



Circuit Diagram



Type designation	RKH4.4-10/TFE
Ident no.	6934475
Connector A side	Female connector, M12 \leftarrow 1, Straight
Number of pins	4
Contacts	Brass, CuZn, Gold-plated
Contact carriers	Plastic, PP, Gray
Grip	Plastic, PP, Gray
Coupling nut/screw	Stainless steel, V4A
Seal	Plastic, FPM/FKM
Protection class	IP67, IP69K, A + B side screwed together
Mechanical lifespan	> 100 Mating cycles
Pollution degree	3
Tightening torque	0.8 ... 1 Nm (observe max. torque of counter piece!)
General data	
Cable diameter	4.5 ± 0.2 mm
Cable length	10 m
Cable quality	PVC
Cable color	Gray
Core insulation	PVC
Core colors	BN, WH, BU, BK
Core cross-section	4×0.34 mm ²
Arrangement of strands	19x0.15 mm
Electrical features at +20 °C	
Current	4 A
Rated voltage	250 V
Test voltage	1500 V
Mechanical and chemical properties	
Bending radius (stationary laying)	> 3 x \varnothing
Bending radius (flexible use)	> 10 x \varnothing
Ambient temperature	
Stationary	-25...+80°C
In motion	0...+80°C