

Product/Process Change Notice (PCN)



- Major change
 Minor change

PCN #: PCN_IndSL5_CaseChange_2014-03-14

Product Affected: WE-SL5 series

Effective Date: 23. June 2014

Contact: Product Management

Phone: +49 (0) 7942 - 945 5001

Fax: +49 (0) 7942 - 945 5179

E-mail: pcn.eisos@we-online.de

- Product Mark
 Date Code
 Packaging
 Others

Attachment: Yes No

DESCRIPTION AND PURPOSE OF CHANGE:

The plastic housing of the common mode filter will be changed. The purpose of the change is to increase the reliability of the part and to ensure proper solderability.
Effective date code beginning with 2014-06-23.

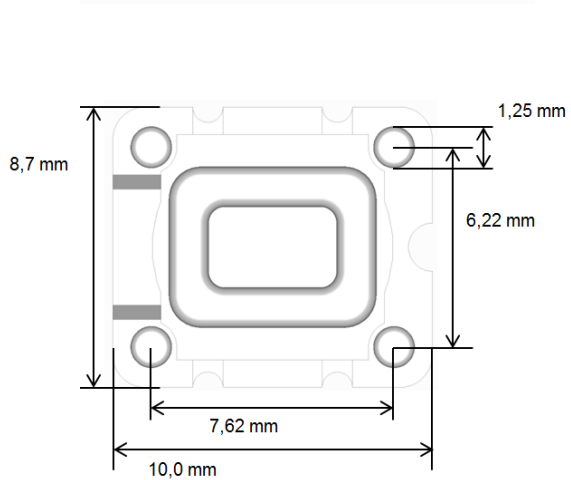
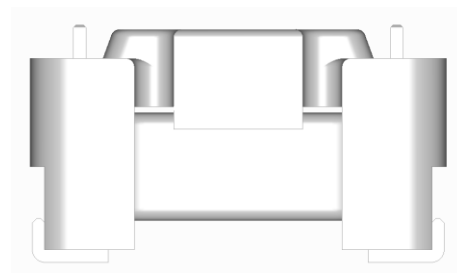
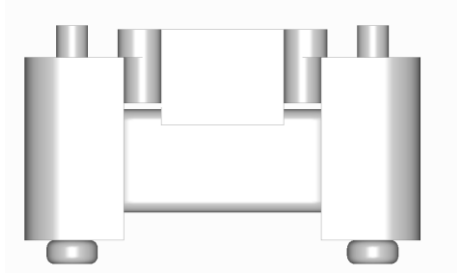
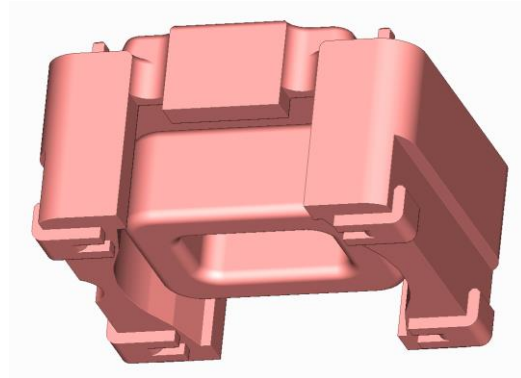
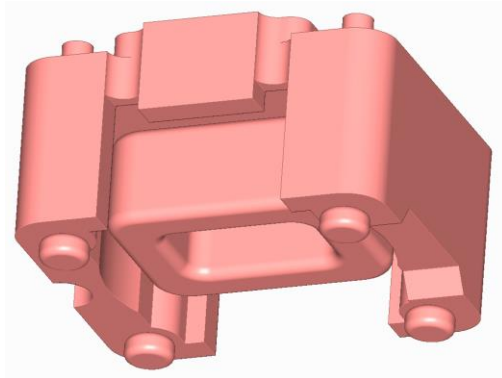
DETAIL OF CHANGE:

Insignificant reshape of the plastic housing.
The form of the soldering pins is optimized. The new terminal pin is rectangular, with the result of higher reliability and better solderability. Optical inspection of the solder joint is improved.
The current soldering pad design is still applicable for new designs.
All other parameters like electrical parameters are not affected by the change.

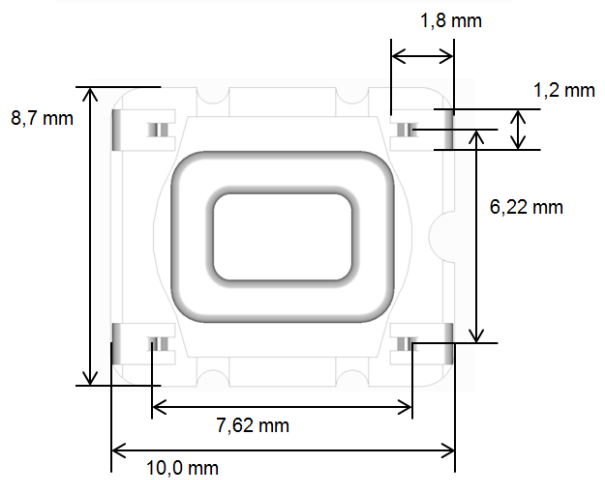
RELIABILITY TEST / QUALIFICATION:

- Solderability (JESD22-B102E)
- Over Load (WE specification)
- Terminal Strength (WE specification)
- Vibration (MIL-STD-202 Method 204)

PICTURES, DRAWING:



Old



New

DATA SHEET CHANGE:

Yes (Mechanical Drawing only)

No