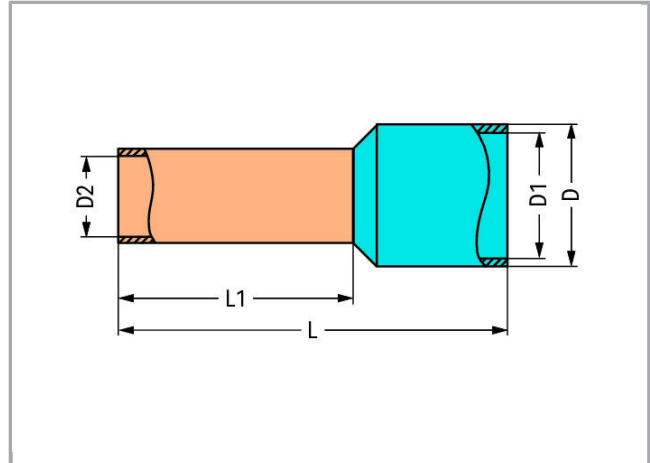


Data sheet | Item number: 216-209

Ferrule; Sleeve for 10 mm² / AWG 8; insulated; electro-tin plated; red

www.wago.com/216-209



Subject to changes. Please also observe the further product documentation!

WAGO Kontakttechnik GmbH & Co. KG
Hansastr. 27
32423 Minden
Phone: +49571 887-0 | Fax: +49571 887-169
Email: info.de@wago.com | Web: www.wago.com

Do you have any questions about our products?
We are always happy to take your call at +49 (571) 887-44222.



Subject to changes. Please also observe the further product documentation!

RoHS 
Compliant

BOMcheck.net

Color: 

Data

Technical Data

Main product function	Ferrule
Sleeve cross-section (AWG)	8 AWG
Sleeve for	10 mm ²

Connection data

Strip length	16 mm / 0.63 inch
--------------	-------------------

Geometrical Data

Length	22 mm
Length	22 mm
Length 1	12 mm
Diameter	8.4 mm
Diameter	8.4 mm
Diameter 1	6 mm
Diameter 2	4.5 mm

Material Data

Color	red
Weight	0.6 g

Commercial data

Product Group	2 (Terminal Block Accessories)
Packaging type	BOX
Country of origin	DE
GTIN	4017332277549
Customs tariff number	85369010000

Counterpart

Subject to changes. Please also observe the further product documentation!

WAGO Kontakttechnik GmbH & Co. KG
Hansastr. 27
32423 Minden
Phone: +49571 887-0 | Fax: +49571 887-169
Email: info.de@wago.com | Web: www.wago.com

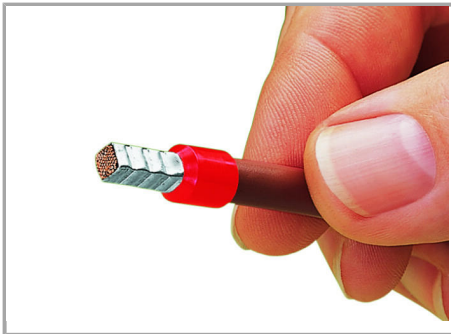
Do you have any questions about our products?
We are always happy to take your call at +49 (571) 887-44222.

Downloads Documentation

Bid Text

216-209 GAEB X81 - Datei	Feb 19, 2019	xml 2.9 kB	Download
216-209 doc - Datei	Sep 11, 2017	doc 24.6 kB	Download

Handling Instructions



A perfect gas-tight crimp – both electrically and mechanically reliable

Subject to changes. Please also observe the further product documentation!