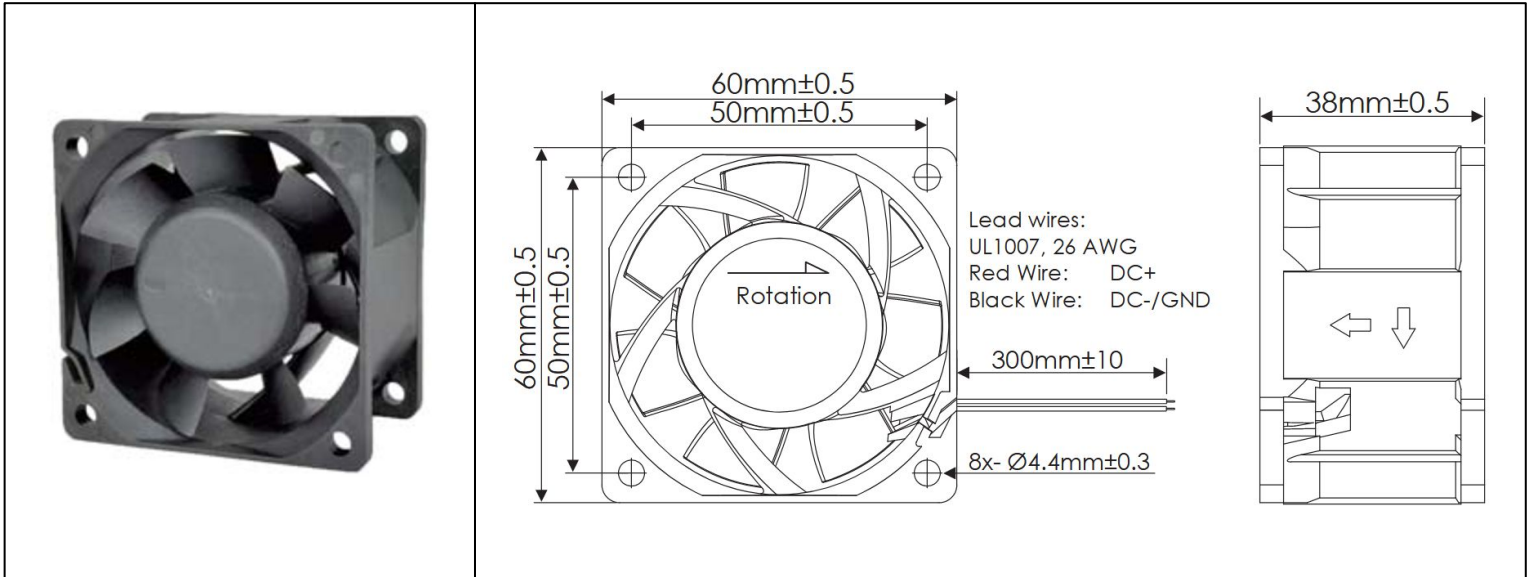


OD6038 VXC Series



DC Fans - 12, 24V
60mm x 60mm x 38mm (2.4" x 1.5")



Frame	PBT, UL94 V-0 Plastic	Operating Temperature -20°C ~ +65°C Storage Temperature -20°C ~ +75°C Life Expectancy 70,000 Hours (L10 at 40°C) Available Options Tachometer Output PWM Speed Control Input IP Ratings Other speeds Weight: 0.19 lbs	
Impeller	PBT, UL94 V-0 Plastic		
Connection	2x Wire Leads, 26 AWG		
Motor	Brushless DC, Auto Cutoff, Auto Restart, Electronically Protected, Polarity Protected		
Bearing System	Dual Ball Bearings		
Dielectric Strength	500VAC/min, < 1mA		
Insulation Resistance	≥10MΩ @ 500 VDC		

Part Number	Rated Voltage (Volts DC)	Voltage Range (Volts DC)	Input Power (Watts)	Rated Current (Amps)	Rated Speed (RPM)	Airflow (CFM)	Noise Level (dB)	Max. Static Pressure ("H ₂ O)
OD6038-12HBVXC	12	9 ~ 13.8	22.4	1.80	11750	67.8	62.4	2.2
OD6038-12MBVXC	12	9 ~ 13.8	15.7	1.28	9080	55.6	57.2	1.5
OD6038-12LBVXC	12	9 ~ 13.8	11.2	0.90	8950	51.3	54.1	1.2
OD6038-24HHVXC	24	16 ~ 26	24.0	1.00	13925	78.7	65.1	2.8
OD6038-24HBVXC	24	16 ~ 26	21.3	0.87	11750	67.8	62.4	2.2
OD6038-24MBVXC	24	16 ~ 26	13.2	0.54	9080	55.6	57.2	1.5
OD6038-24LBVXC	24	16 ~ 26	12.4	0.50	8950	51.3	54.1	1.2