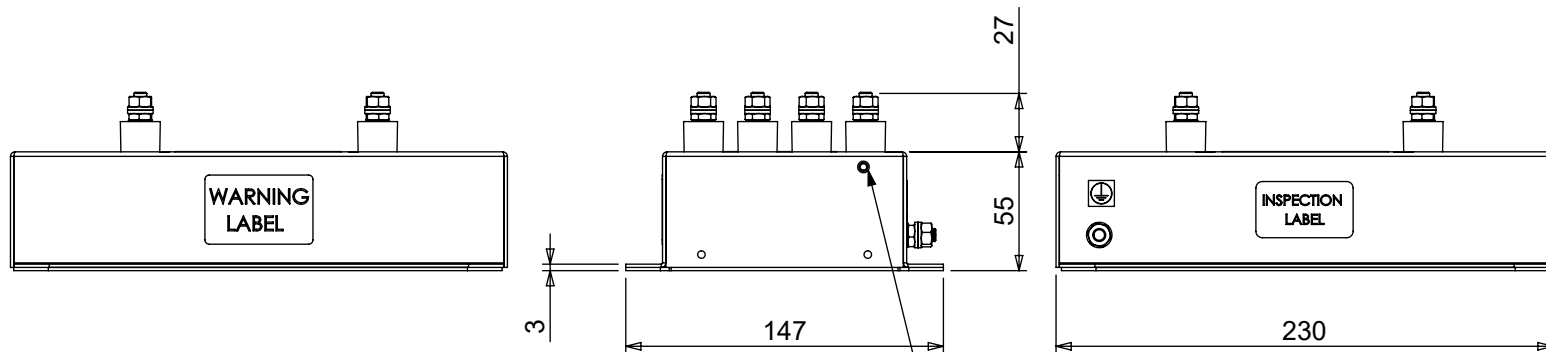
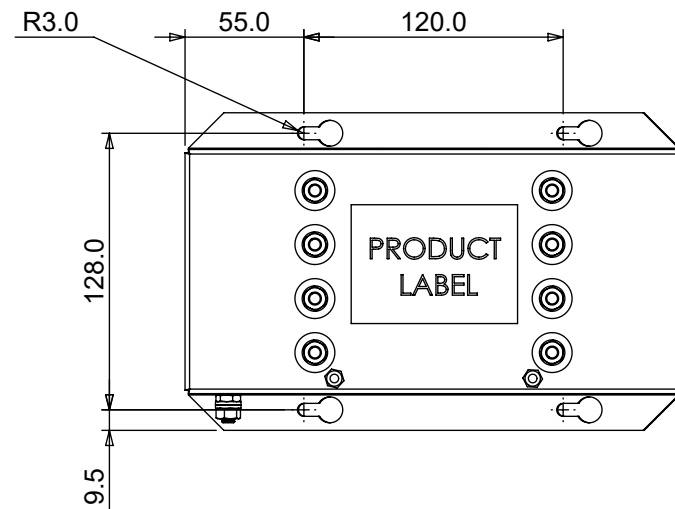
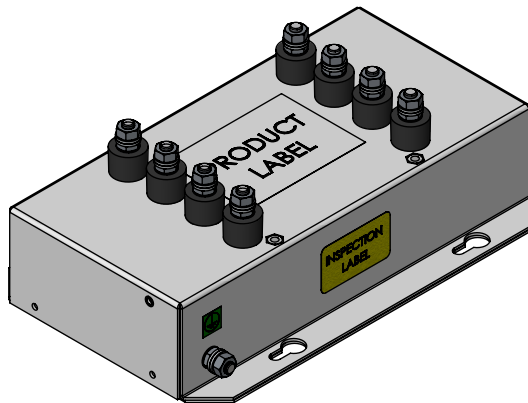
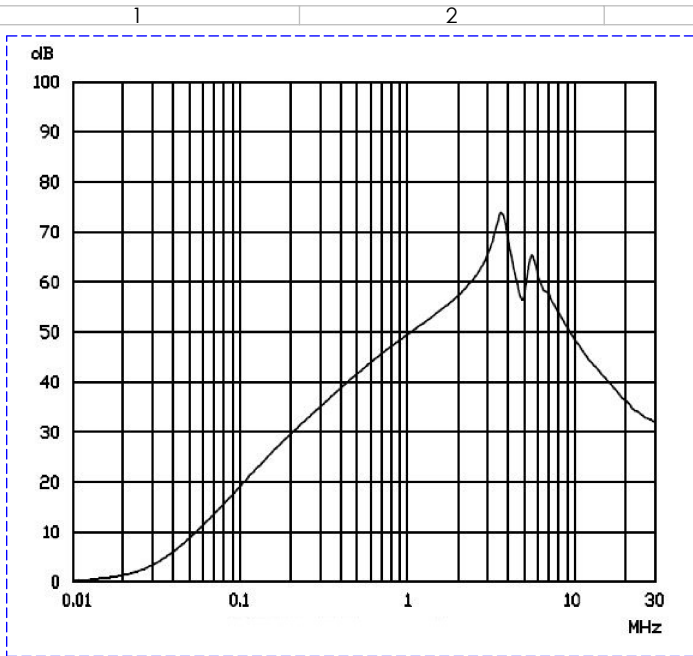
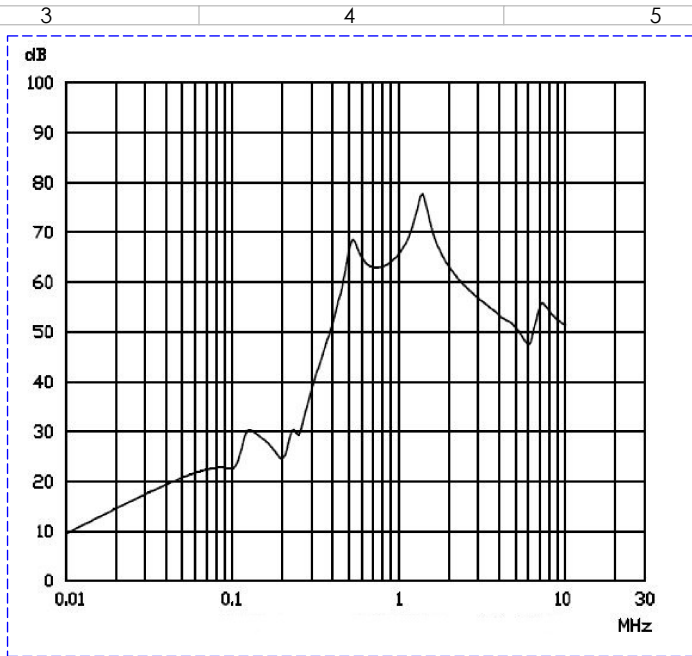


|              |                                |
|--------------|--------------------------------|
| IHF436       |                                |
| AKA          | n/a                            |
| Device       | rfi filter                     |
| Current      | 36A 40°C                       |
| Earthing     | M6x13 stud 4Nm                 |
| Enclosure    | aluminium 1.2mm                |
| Loss         | 2.14W/ph                       |
| Leakage      | 1.9mA operating                |
| Mass         | 2.7kg                          |
| Mounting     | M5 2Nm                         |
| PCB          | FR4 AVL2 VW-1 600V 105°C IIIa  |
| Potting      | resin                          |
| Power        | 29.9kW(8.6kW)                  |
| Protection   | IP00                           |
| Resistance   | 1.65mR/ph                      |
| Residual     | 110V 5s                        |
| SCCR         | 5kA when fused                 |
| Style        | stud filter                    |
| Terminal     | M6 stud 4Nm                    |
| Varistor     | n/a                            |
| Supply       | 3PN 480V 50/60Hz               |
| Voltage      | 528V max                       |
| Withstand    | 2100Vdc 60s                    |
| Altitude     | 2000m w/out derating           |
| Bonding      | 25A 50/60Hz                    |
| Class        | class I                        |
| Environment  | -25/+85/21                     |
| Flammability | UL94 V-2 min                   |
| Humidity     | 93% RH non-condensing          |
| Insulation   | 500Vdc ≥3.5MR                  |
| Material     | group IIb                      |
| MTBF         | 22yrs (MIL-HDBK-217F)          |
| Overload     | 135% 2hrs 150% 60s             |
| Overvoltage  | category II                    |
| Packaging    | ASTM D7386                     |
| Pollution    | degree II                      |
| Shock        | 15g 11mS                       |
| Spacing      | ≥50mm from ventilated surfaces |
| Vibration    | 5-55Hz 350um 55-500Hz 2G       |
| EU           | CE EN60939                     |
| US           | n/a                            |
| CAN          | n/a                            |
| OTHER        | n/a                            |





A1: 50/50Ω ASYMMETRICAL (COMMON)



A2: 50/50Ω SYMMETRICAL (DIFFERENTIAL)



B: 50/50Ω ASYMMETRICAL (COMMON) LINE Y-CAP/CLIP REMOVED



C: 50/50Ω ASYMMETRICAL (COMMON) LOAD Y-CAP/CLIP REMOVED



D: 50/50Ω ASYMMETRICAL (COMMON) Y-CAPS/CLIPS REMOVED