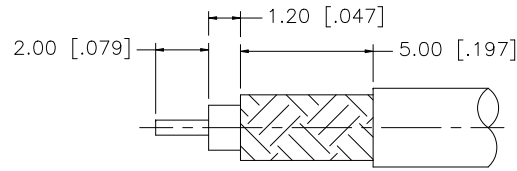
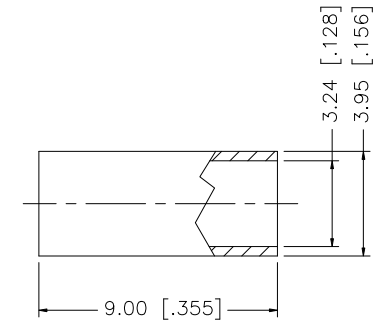
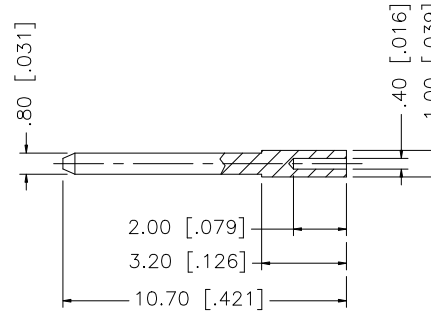
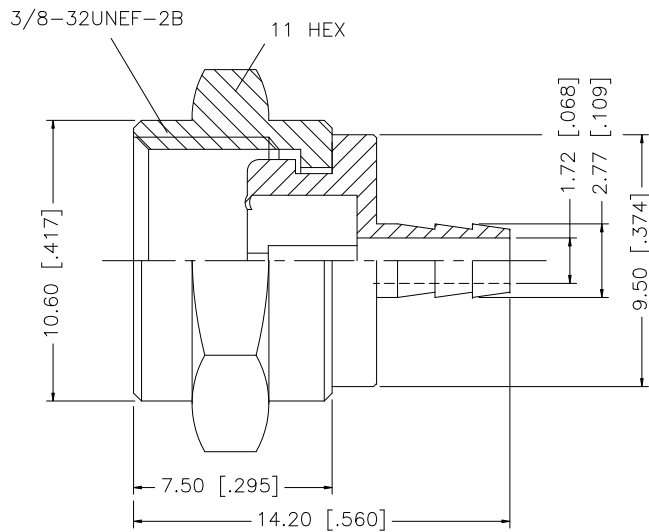


REV.	DATE	ECR NO.	DESCRIPTION
A	07/21/98	-	REDIMENSION AND ADD NOTES
B	05/19/03	-	UPDATE DRAWING FORMAT
C	02/10/04	-	MODIFY PLATING SPECS
D	09/30/05	-	REVISE ALL PLATING TO BRT. TIN
E	11/14/05	-	UPDATE COMPONENT DIMENSIONS
F	12/09/08	100063	REVISE PLATING TO NICKEL



RECOMMENDED
CABLE STRIPPING DIM'S



NOTE:
1. CRIMPED FERRULE HEX CRIMP SIZE .128" [3.25]

8				
7				
6				
5	FERRULE	COPPER	NICKEL	1
4	RING	BRASS	NICKEL	1
3	CONTACT PIN	BRASS	GOLD	1
2	DIELECTRIC	PTFE	NATURAL	1
1	BODY	BRASS	NICKEL	1
	DESCRIPTION	MATERIAL	FINISH	QTY

UNLESS OTHERWISE SPECIFIED DIMENSIONS ARE IN MILLIMETERS. DIMENSIONS IN [] ARE IN INCHES AND FOR CUSTOMER REFERENCE ONLY.

UNLESS OTHERWISE SPECIFIED TOLERANCES FOR MILLIMETERS ARE:
0.5 - 8mm ± 0.20mm
8 - 30mm ± 0.40mm
30 - 120mm ± 0.50mm

UNLESS OTHERWISE SPECIFIED TOLERANCES FOR INCHES ARE:
.020 - .315 ± 0.007"
.315 - 1.180 ± 0.015"
1.180 - 4.724 ± 0.020"

DO NOT SCALE DRAWING

APPROVALS	DATE
DRAWN GRS	12/09/08
CHECKED	
ISSUED	
SHEET 1 OF 1	
CAD FILE	
C:/222/222113.DWG	

<h1 style="color: blue;">Amphenol Connex</h1>			
PART NO. 222113			
DWG. NO.	222113.DWG	REV.	F
SIZE	A	SCALE	NA