

## MKDSP 10/ 2-10,16

Order No.: 1706785

The illustration shows the 3-pos. version

<http://eshop.phoenixcontact.se/phoenix/treeViewClick.do?UID=1706785>

PC terminal block, Nominal current: 57 A, Nom. voltage: 690 V,  
Pitch: 10.16 mm, Number of positions: 2, Type of connection: Screw  
connection, Assembly: Soldering, Conductor/PCB connection  
direction: 0 °, Color: green

Commercial data	
EAN	4017918129026
Pack	50
Customs tariff	85369010
Catalog page information	Page 291 (CC-2007)

### Product notes

WEEE/RoHS-compliant since:  
2003-01-01



Please note that the data given here has been taken from the online catalog. For comprehensive information and data, please refer to the user documentation at <http://www.download.phoenixcontact.com>. The General Terms and Conditions of Use apply to Internet downloads.

### Technical data

Dimensions / positions	
Pitch	10.16 mm
Dimension a	10.16 mm
Number of positions	2
Pin dimensions	1 x 0,9 mm
Hole diameter	1.5 mm
Screw thread	M4
Tightening torque, min	1.2 Nm
Tightening torque max	1.5 Nm

**Technical data**

Insulating material group	I
Rated surge voltage (III/3)	8 kV
Rated surge voltage (III/2)	8 kV
Rated surge voltage (II/2)	6 kV
Rated voltage (III/2)	1000 V
Rated voltage (II/2)	1000 V
Connection in acc. with standard	EN-VDE
Nominal current $I_N$	76 A
Nominal voltage $U_N$	690 V
Nominal cross section	16 mm <sup>2</sup>
Maximum load current	76 A (with 16 mm <sup>2</sup> conductor cross section)
Insulating material	PA
Inflammability class acc. to UL 94	V0
Internal cylindrical gage	B6
Stripping length	10 mm

**Connection data**

Conductor cross section solid min.	0.5 mm <sup>2</sup>
Conductor cross section solid max.	16 mm <sup>2</sup>
Conductor cross section stranded min.	0.5 mm <sup>2</sup>
Conductor cross section stranded max.	16 mm <sup>2</sup>
Conductor cross section stranded, with ferrule without plastic sleeve min.	0.5 mm <sup>2</sup>
Conductor cross section stranded, with ferrule without plastic sleeve max.	16 mm <sup>2</sup>
Conductor cross section stranded, with ferrule with plastic sleeve min.	0.5 mm <sup>2</sup>
Conductor cross section stranded, with ferrule with plastic sleeve max.	16 mm <sup>2</sup>
Conductor cross section AWG/kcmil min.	20
Conductor cross section AWG/kcmil max	6
2 conductors with same cross section, solid min.	0.5 mm <sup>2</sup>
2 conductors with same cross section, solid max.	4 mm <sup>2</sup>
2 conductors with same cross section, stranded min.	0.5 mm <sup>2</sup>
2 conductors with same cross section, stranded max.	4 mm <sup>2</sup>

2 conductors with same cross section, stranded, ferrules without plastic sleeve, min.	0.5 mm <sup>2</sup>
2 conductors with same cross section, stranded, ferrules without plastic sleeve, max.	2.5 mm <sup>2</sup>
2 conductors with same cross section, stranded, TWIN ferrules with plastic sleeve, min.	0.5 mm <sup>2</sup>
2 conductors with same cross section, stranded, TWIN ferrules with plastic sleeve, max.	6 mm <sup>2</sup>

### Certificates



Certification CB, CCA, CSA, CUL, GOST, SEV, UL

#### CSA

Nominal voltage $U_N$	600 V
Nominal current $I_N$	57 A
AWG/kcmil	20-6

#### CUL

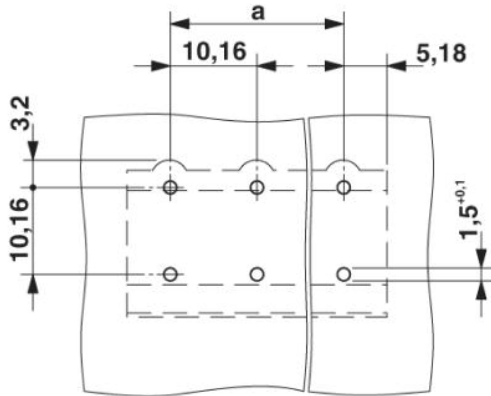
Nominal voltage $U_N$	600 V
Nominal current $I_N$	60 A
AWG/kcmil	20-6

#### UL

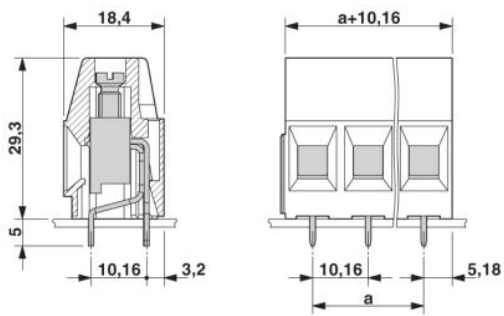
Nominal voltage $U_N$	600 V
Nominal current $I_N$	60 A
AWG/kcmil	20-6

## Drawings

### Drilling diagram



### Dimensioned drawing



**Address**

Phoenix Contact AB  
Linvägen 2  
14144 Huddinge, Sweden  
Phone +46 (0)8 - 608 64 00  
Fax +46 (0)8 - 608 64 99  
<http://www.phoenixcontact.se>

Phoenix Contact Oy  
Technical modifications reserved;