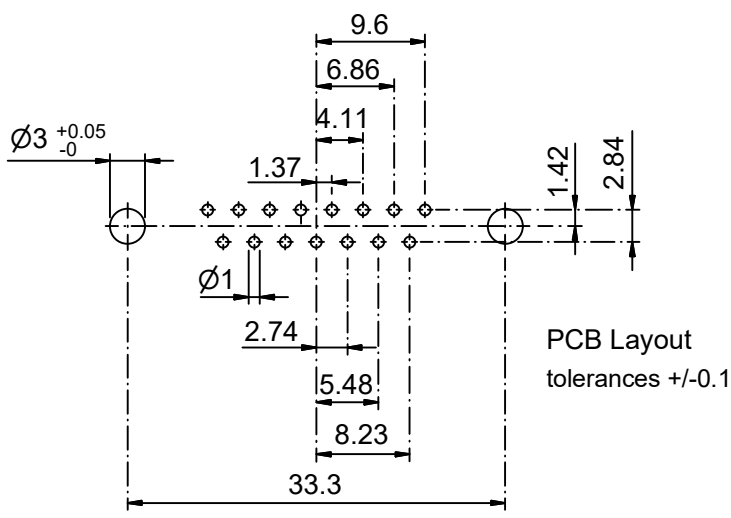
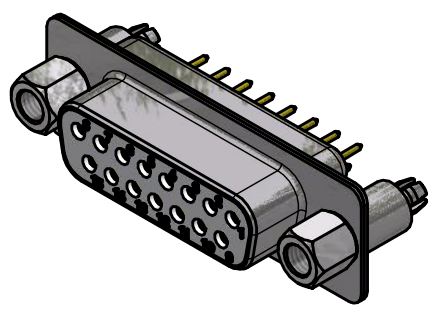
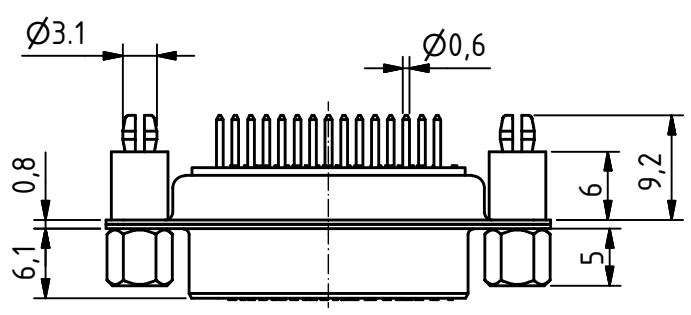
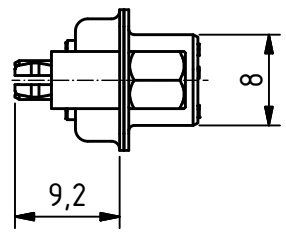
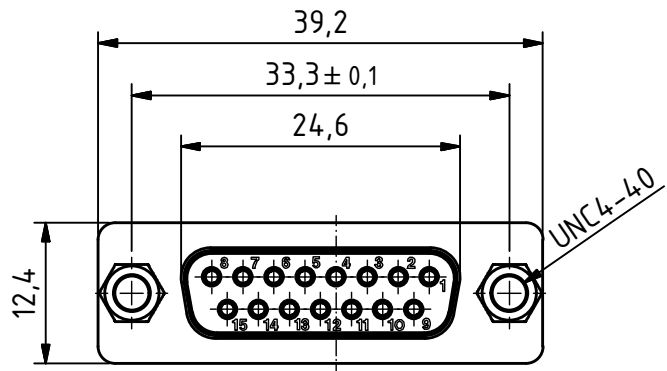


RoHS compliant



PCB Layout tolerances +/-0.1

Product is suitable for Wave Solder Process

General tolerances (Deltron standard)	size in mm			
	> 0.5	> 3	> 6	> 30
	up to 3	up to 6	up to 30	up to 120
	tolerances			
	±0.1	±0.2	±0.2	±0.3

MATERIALS

- Insulator: Thermoplastic UL 94-V-0 white
- Contact: Machined / Copper alloy
- Contact finish: Quality class 2
- Shell: steel tin plated

CHARAKTERISTICS

- Working voltage: 125V
- Current rating: 7.5A
- Contact resistance: max. 10mΩ - DIN41652
- Insulation resistance: >5GΩ
- Temperature range: -55° to +125°C

	All dimensions in mm	Rev.	Rev.	Rev.	DE002386		
		Rev.	Rev.	Rev.	part no.		
DTS15SY/2M86UNB5				1.5:1	drawn	15.08.2012	mw
				scale	checked		
					approved		
				Industrie Neuhof 8c CH-3422 Kirchberg www.d-sub.swiss		K060971	
						drawing no.	