

- 1
- 2
- 3
- 4
- 5
- 6
- 7
- 8
- 9
- 10
- 11
- 12
- 13
- 14
- 15
- 16
- 17
- 18

**BASE**

Glass-fibre reinforced polyamide based (PA) technopolymer, black colour, matte finish.

**ARTICULATED STEM**

Threaded AISI 304 stainless steel with adjusting square.

**STANDARD EXECUTIONS**

- **LSQ.A-SST**: without no-slip disk.
- **LSQ.A-AS-SST**: with NBR rubber no-slip disk, hardness 70 Shore A, supplied assembled to the base.

**FEATURES**

The particular assembling system of the no-slip disk to the base assures a perfect anchoring, preventing separation even in case of impact during transport or of adhesion (sticking) to the floor (see No-slip disks on page 1137).

**ORDER INFORMATION**

The levelling elements are supplied unassembled to make carriage and storage easier. The components (base and stem) are supplied in separate packing: less volume taken and better protection from scratches and dirt.

To order bases and stems separately, see:

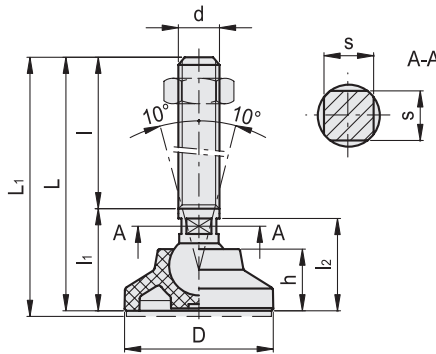
- table of possible combinations Bases/Stems (see page 1144)
- the codes of the Bases (see page 1139)
- the codes of the Stems (see page 1142).

**ACCESSORIES ON REQUEST**

AISI 304 stainless steel nut (see Nuts NT, pag. 1137).



ELESA Original design



**LSQ.A-SST**

**LSQ.A-AS-SST**



Code	Description	Code	Description	D	d	L	L1#	l	l1	l2	h	s	Articulation Ø	Max. limit stati load* [N]	⚖️	⚖️	#
359991	LSQ.A-25-8.5-SST-M8x48	360491	LSQ.A-25-8.5-AS-SST-M8x48	25	M8	68	71	48	20	18.5	12	7	8.5	5000	24	26	
359993	LSQ.A-25-8.5-SST-M8x73	360493	LSQ.A-25-8.5-AS-SST-M8x73	25	M8	93	96	73	20	18.5	12	7	8.5	5000	34	36	
360001	LSQ.A-25-8.5-SST-M10x48	360501	LSQ.A-25-8.5-AS-SST-M10x48	25	M10	68	71	48	20	18.5	12	7	8.5	5000	31	33	
360003	LSQ.A-25-8.5-SST-M10x73	360503	LSQ.A-25-8.5-AS-SST-M10x73	25	M10	93	96	73	20	18.5	12	7	8.5	5000	47	49	
360005	LSQ.A-25-8.5-SST-M10x103	360505	LSQ.A-25-8.5-AS-SST-M10x103	25	M10	123	126	103	20	18.5	12	7	8.5	5000	65	67	
360011	LSQ.A-25-8.5-SST-M12x48	360511	LSQ.A-25-8.5-AS-SST-M12x48	25	M12	68	71	48	20	18.5	12	9	8.5	5000	42	44	
360013	LSQ.A-25-8.5-SST-M12x73	360513	LSQ.A-25-8.5-AS-SST-M12x73	25	M12	93	96	73	20	18.5	12	9	8.5	5000	64	66	
360015	LSQ.A-25-8.5-SST-M12x103	360515	LSQ.A-25-8.5-AS-SST-M12x103	25	M12	123	126	103	20	18.5	12	9	8.5	5000	95	97	
360031	LSQ.A-25-14-SST-M16x68	360531	LSQ.A-25-14-AS-SST-M16x68	25	M16	92	95	68	24	22.5	12	12	14	5000	100	102	
360033	LSQ.A-25-14-SST-M16x108	360533	LSQ.A-25-14-AS-SST-M16x108	25	M16	132	135	108	24	22.5	12	12	14	5000	164	166	
360035	LSQ.A-25-14-SST-M16x148	360535	LSQ.A-25-14-AS-SST-M16x148	25	M16	172	175	148	24	22.5	12	12	14	5000	228	230	
360037	LSQ.A-25-14-SST-M16x168	360537	LSQ.A-25-14-AS-SST-M16x168	25	M16	192	195	168	24	22.5	12	12	14	5000	260	262	

\* The max static load is the value above which the load applied to the element may cause some plastic material breakage, in particular conditions of use. Obviously, a factor that takes into consideration the importance and the safety level of the specific application must be applied to this value.

# Data with no-slip disk mounted.



LSQ.A-SST

LSQ.A-AS-SST



Code	Description	Code	Description	D	d	L	L1#	l	l1	l2	h	s	Articulation ∅	Max. limit stati load* [N]	⚖️ #
360091	LSQ.A-32-8.5-SST-M8x48	360591	LSQ.A-32-8.5-AS-SST-M8x48	32	M8	71	74	48	23	21.5	15	7	8.5	6000	28 32
360093	LSQ.A-32-8.5-SST-M8x73	360593	LSQ.A-32-8.5-AS-SST-M8x73	32	M8	96	99	73	23	21.5	15	7	8.5	6000	38 42
360101	LSQ.A-32-8.5-SST-M10x48	360601	LSQ.A-32-8.5-AS-SST-M10x48	32	M10	71	74	48	23	21.5	15	7	8.5	6000	35 39
360103	LSQ.A-32-8.5-SST-M10x73	360603	LSQ.A-32-8.5-AS-SST-M10x73	32	M10	96	99	73	23	21.5	15	7	8.5	6000	51 55
360105	LSQ.A-32-8.5-SST-M10x103	360605	LSQ.A-32-8.5-AS-SST-M10x103	32	M10	126	129	103	23	21.5	15	7	8.5	6000	69 73
360111	LSQ.A-32-8.5-SST-M12x48	360611	LSQ.A-32-8.5-AS-SST-M12x48	32	M12	71	74	48	23	21.5	15	9	8.5	6000	46 50
360113	LSQ.A-32-8.5-SST-M12x73	360613	LSQ.A-32-8.5-AS-SST-M12x73	32	M12	96	99	73	23	21.5	15	9	8.5	6000	68 72
360115	LSQ.A-32-8.5-SST-M12x103	360615	LSQ.A-32-8.5-AS-SST-M12x103	32	M12	126	129	103	23	21.5	15	9	8.5	6000	99 103
360131	LSQ.A-32-14-SST-M16x68	360631	LSQ.A-32-14-AS-SST-M16x68	32	M16	92	95	68	24	22.5	15	12	14	7000	104 108
360133	LSQ.A-32-14-SST-M16x108	360633	LSQ.A-32-14-AS-SST-M16x108	32	M16	132	135	108	24	22.5	15	12	14	7000	168 172
360135	LSQ.A-32-14-SST-M16x148	360635	LSQ.A-32-14-AS-SST-M16x148	32	M16	172	175	148	24	22.5	15	12	14	7000	232 236
360137	LSQ.A-32-14-SST-M16x168	360637	LSQ.A-32-14-AS-SST-M16x168	32	M16	192	195	168	24	22.5	15	12	14	7000	264 268
360191	LSQ.A-40-8.5-SST-M8x48	360691	LSQ.A-40-8.5-AS-SST-M8x48	40	M8	73	76	48	25	23.5	17	7	8.5	7000	33 40
360193	LSQ.A-40-8.5-SST-M8x73	360693	LSQ.A-40-8.5-AS-SST-M8x73	40	M8	98	101	73	25	23.5	17	7	8.5	7000	43 50
360201	LSQ.A-40-8.5-SST-M10x48	360701	LSQ.A-40-8.5-AS-SST-M10x48	40	M10	73	76	48	25	23.5	17	7	8.5	7000	40 47
360203	LSQ.A-40-8.5-SST-M10x73	360703	LSQ.A-40-8.5-AS-SST-M10x73	40	M10	98	101	73	25	23.5	17	7	8.5	7000	56 63
360205	LSQ.A-40-8.5-SST-M10x103	360705	LSQ.A-40-8.5-AS-SST-M10x103	40	M10	128	131	103	25	23.5	17	7	8.5	7000	74 81
360211	LSQ.A-40-8.5-SST-M12x48	360711	LSQ.A-40-8.5-AS-SST-M12x48	40	M12	73	76	48	25	23.5	17	9	8.5	7000	51 58
360213	LSQ.A-40-8.5-SST-M12x73	360713	LSQ.A-40-8.5-AS-SST-M12x73	40	M12	98	101	73	25	23.5	17	9	8.5	7000	73 80
360215	LSQ.A-40-8.5-SST-M12x103	360715	LSQ.A-40-8.5-AS-SST-M12x103	40	M12	128	131	103	25	23.5	17	9	8.5	7000	104 111
360231	LSQ.A-40-14-SST-M16x68	360731	LSQ.A-40-14-AS-SST-M16x68	40	M16	93	96	68	25	23.5	17	12	14	10000	109 116
360233	LSQ.A-40-14-SST-M16x108	360733	LSQ.A-40-14-AS-SST-M16x108	40	M16	133	136	108	25	23.5	17	12	14	10000	173 180
360235	LSQ.A-40-14-SST-M16x148	360735	LSQ.A-40-14-AS-SST-M16x148	40	M16	173	176	148	25	23.5	17	12	14	10000	237 244
360237	LSQ.A-40-14-SST-M16x168	360737	LSQ.A-40-14-AS-SST-M16x168	40	M16	193	196	168	25	23.5	17	12	14	10000	269 276
360291	LSQ.A-50-8.5-SST-M8x48	360791	LSQ.A-50-8.5-AS-SST-M8x48	50	M8	75	78	48	27	25.5	19	7	8.5	7000	39 51
360293	LSQ.A-50-8.5-SST-M8x73	360793	LSQ.A-50-8.5-AS-SST-M8x73	50	M8	100	103	73	27	25.5	19	7	8.5	7000	49 61
360301	LSQ.A-50-8.5-SST-M10x48	360801	LSQ.A-50-8.5-AS-SST-M10x48	50	M10	75	78	48	27	25.5	19	7	8.5	7000	46 58
360303	LSQ.A-50-8.5-SST-M10x73	360803	LSQ.A-50-8.5-AS-SST-M10x73	50	M10	100	103	73	27	25.5	19	7	8.5	7000	62 74
360305	LSQ.A-50-8.5-SST-M10x103	360805	LSQ.A-50-8.5-AS-SST-M10x103	50	M10	130	133	103	27	25.5	19	7	8.5	7000	80 92
360311	LSQ.A-50-8.5-SST-M12x48	360811	LSQ.A-50-8.5-AS-SST-M12x48	50	M12	75	78	48	27	25.5	19	9	8.5	7000	57 69
360313	LSQ.A-50-8.5-SST-M12x73	360813	LSQ.A-50-8.5-AS-SST-M12x73	50	M12	100	103	73	27	25.5	19	9	8.5	7000	79 91
360315	LSQ.A-50-8.5-SST-M12x103	360815	LSQ.A-50-8.5-AS-SST-M12x103	50	M12	130	133	103	27	25.5	19	9	8.5	7000	110 122
360331	LSQ.A-50-14-SST-M16x68	360831	LSQ.A-50-14-AS-SST-M16x68	50	M16	95	98	68	27	25.5	19	12	14	10000	115 127
360333	LSQ.A-50-14-SST-M16x108	360833	LSQ.A-50-14-AS-SST-M16x108	50	M16	135	138	108	27	25.5	19	12	14	10000	179 191
360335	LSQ.A-50-14-SST-M16x148	360835	LSQ.A-50-14-AS-SST-M16x148	50	M16	175	178	148	27	25.5	19	12	14	10000	243 255
360337	LSQ.A-50-14-SST-M16x168	360837	LSQ.A-50-14-AS-SST-M16x168	50	M16	195	198	168	27	25.5	19	12	14	10000	275 287

\* The max static load is the value above which the load applied to the element may cause some plastic material breakage, in particular conditions of use. Obviously, a factor that takes into consideration the importance and the safety level of the specific application must be applied to this value.

# Data with no-slip disk mounted.