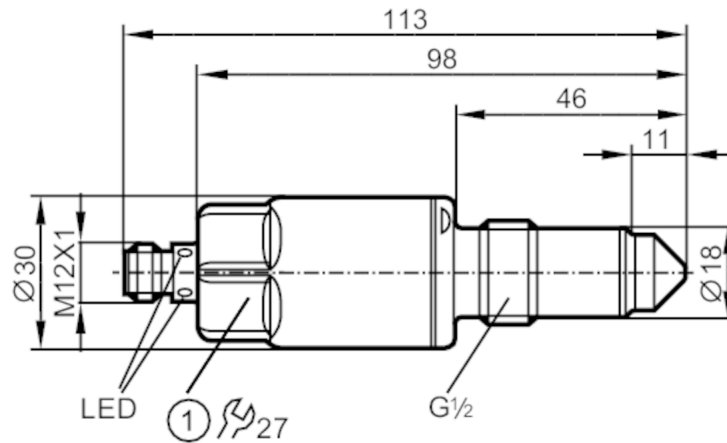


# LMT121



## Sensor for point level detection

LMACE-A12E-QSKG-2/US



1 Tightening torque 20...25 Nm



Product characteristics	
Number of inputs and outputs	Number of digital outputs: 2
Factory setting	media with low water content
Process connection	G 1/2 external thread
Application	
Special feature	Gold-plated contacts
Media	Liquids; viscous media; powder
Cannot be used for	See the operating instructions, chapter "Function and features".
Probe length [mm]	11
Tank pressure [bar]	-1...40; (MAWP (for applications according to CRN): 40 bar / 4 MPa)
MAWP (for applications according to CRN) [bar]	40
Oil	
Medium temperature [°C]	-40...100
Medium temperature short time [°C]	-40...150; (1 h)
Water	
Medium temperature [°C]	-40...100
Medium temperature short time [°C]	-40...150; (1 h)
Electrical data	
Operating voltage [V]	18...30 DC
Current consumption [mA]	< 50
Protection class	III
Reverse polarity protection	yes
Inputs / outputs	
Number of inputs and outputs	Number of digital outputs: 2

# LMT121



## Sensor for point level detection

LMAE-A12E-QSKG-2/US

Outputs		
Total number of outputs		2
Output signal		switching signal; IO-Link
Electrical design		PNP/NPN
Number of digital outputs		2
Output function		normally open / normally closed; (parameterisable)
Max. voltage drop switching output DC	[V]	2.5
Permanent current rating of switching output DC	[mA]	100
Short-circuit protection		yes
Type of short-circuit protection		pulsed
Overload protection		yes
Measuring/setting range		
Factory setting		media with low water content
Response times		
Response time	[s]	< 0.5
Interfaces		
Communication interface		IO-Link
Transmission type		COM2 (38,4 kBaud)
IO-Link revision		1.1
SDCI standard		IEC 61131-9
IO-Link device ID		0x000132
Profiles		Smart Sensor: Process Data Variable; Device Identification
SIO mode		yes
Required master port type		A
Process data analogue		1
Process data binary		2
Min. process cycle time	[ms]	2.3
Operating conditions		
Ambient temperature	[°C]	-40...85
Note on ambient temperature		Medium temperature: < 100 °C
		-40...60 °C
Storage temperature	[°C]	Medium temperature: < 150 °C
		-40...85
Protection		IP 68; IP 69K
Tests / approvals		
EMC	DIN EN 61000-6-2	
	DIN EN 61000-6-4	: open tanks
	DIN EN 61000-6-3	: closed tanks
Shock resistance	DIN EN 60068-2-27	50 g (11 ms)
Vibration resistance	DIN EN 60068-2-6	20 g (10...2000 Hz)
MTTF	[years]	223
UL approval	UL Approval no.	H001

# LMT121



## Sensor for point level detection

LMACE-A12E-QSKG-2/US

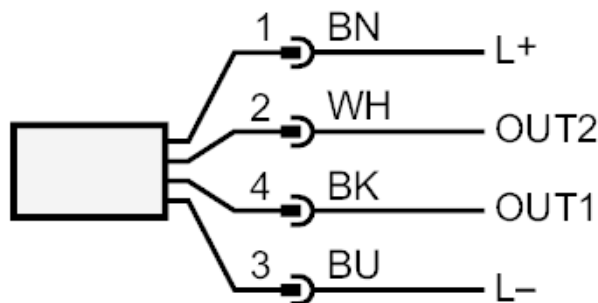
Mechanical data		
Weight	[g]	211
Materials	stainless steel (1.4404 / 316L); PEEK; PEI; FKM	
Materials (wetted parts)	PEEK	
Process connection	G 1/2 external thread	
Surface characteristics Ra/Rz of the wetted parts	< 0.8	
Displays / operating elements		
Display	switching status	LEDs, yellow
	operating status	LEDs, green
Remarks		
Pack quantity	1 pcs.	

### Electrical connection

Connector: 1 x M12; Contacts: gold-plated



### Connection



OUT1: switching output IO-Link Teach  
OUT2: switching output  
colours to DIN EN 60947-5-2

Core colours :

- BK = black
- BN = brown
- BU = blue
- WH = white