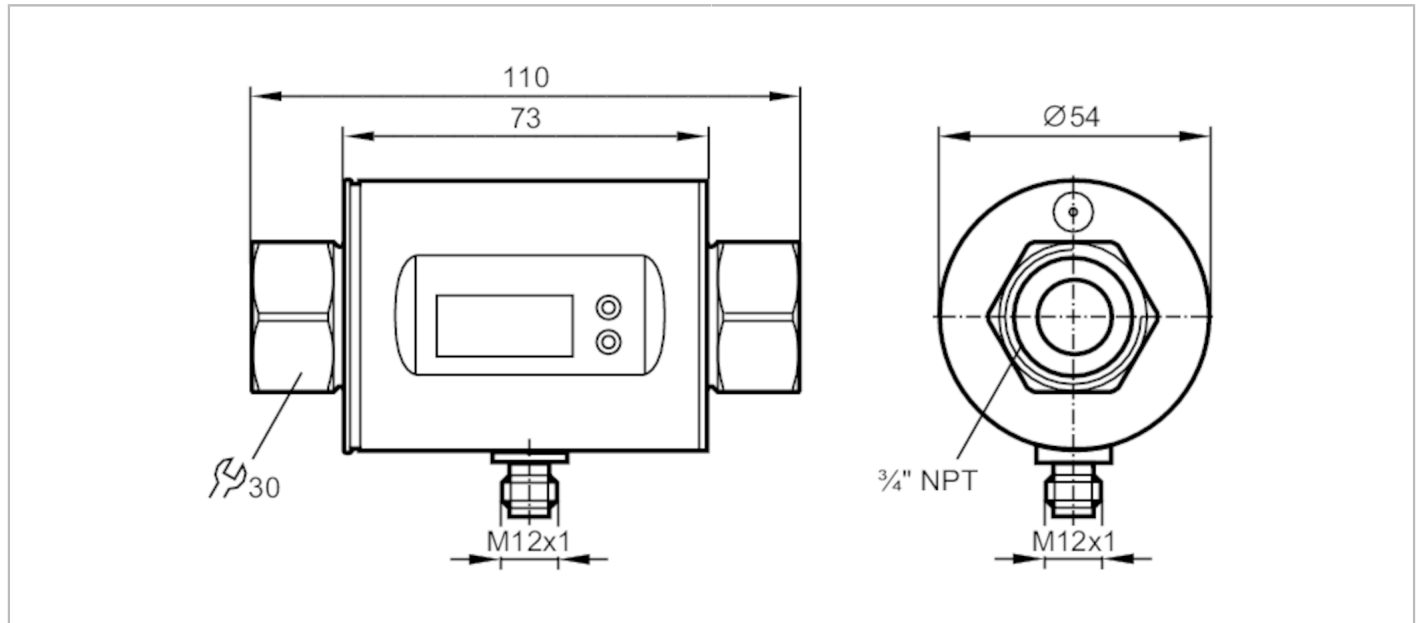


# SM7601



## Magnetic-inductive flow meter

SMN34GGXFRKG/US-100



Product characteristics	
Number of inputs and outputs	Number of digital outputs: 2; Number of analogue outputs: 1
Measuring range	3...792 gph      0.06...13.2 gpm
Process connection	threaded connection 3/4 NPT DN20
Application	
Special feature	Gold-plated contacts
Application	totaliser function; for industrial applications
Media	conductive liquids; water; hydrous media
Note on media	conductivity: $\geq 20 \mu\text{S/cm}$ viscosity: $< 70 \text{ mm}^2/\text{s}$ (40 °C)
Medium temperature [°F]	14...158
Pressure rating [bar]	16
Pressure rating [psi]	232
MAWP (for applications according to CRN) [bar]	11.2
Electrical data	
Operating voltage [V]	18...30 DC; (according to EN 50178 SELV/PELV)
Current consumption [mA]	95; ((24 ))
Protection class	III
Reverse polarity protection	yes
Power-on delay time [s]	5
Inputs / outputs	
Number of inputs and outputs	Number of digital outputs: 2; Number of analogue outputs: 1
Inputs	
Inputs	counter reset

# SM7601



## Magnetic-inductive flow meter

SMN34GGXFRKG/US-100

Outputs		
Total number of outputs		2
Output signal		switching signal; analogue signal; pulse signal; IO-Link; (configurable)
Electrical design		PNP/NPN
Number of digital outputs		2
Output function		normally open / normally closed; (parameterisable)
Max. voltage drop switching output DC	[V]	2
Permanent current rating of switching output DC	[mA]	200
Number of analogue outputs		1
Analogue current output	[mA]	4...20; (scalable)
Max. load	[Ω]	500
Analogue voltage output	[V]	0...10; (scalable)
Min. load resistance	[Ω]	2000
Pulse output		flow rate meter
Short-circuit protection		yes
Type of short-circuit protection		pulsed
Overload protection		yes
Measuring/setting range		
Measuring range		3...792 gph      0.06...13.2 gpm
Display range		-951...951 gph      -15.84...15.84 gpm
Resolution		1 gph      0.02 gpm
Set point SP		7...792 gph      0.12...13.2 gpm
Reset point rP		3...788 gph      0.06...13.14 gpm
Analogue start point ASP		0...636 gph      0...10.6 gpm
Analogue end point AEP		156...792 gph      2.6...13.2 gpm
In steps of		1 gph      0.02 gpm
Volumetric flow quantity monitoring		
Pulse value		0.01...99 990 000 gal
Pulse length	[s]	0,005...2
Temperature monitoring		
Measuring range	[°F]	-4...176
Resolution	[°F]	0.5
Set point SP	[°F]	-2.5...176
Reset point rP	[°F]	-3.5...175
Analogue start point	[°F]	-4...140.5
Analogue end point	[°F]	31.5...176
In steps of	[°F]	0.5
Accuracy / deviations		
Flow monitoring		
Accuracy (in the measuring range)		± (0,8 % MW + 0,5 % MEW)
Repeatability		± 0,2% MEW

# SM7601



## Magnetic-inductive flow meter

SMN34GGXFRKG/US-100

Temperature monitoring		
Accuracy	[K]	± 4,5 (Q > 0,26 gpm)
<b>Response times</b>		
Flow monitoring		
Response time	[s]	0.15; (dAP = 0, T19)
Delay time programmable dS, dr	[s]	0...50
Damping for the switching output dAP	[s]	0...5
Temperature monitoring		
Dynamic response T05 / T09	[s]	T09 = 20 (Q > 0,26 gpm)
<b>Software / programming</b>		
Parameter setting options	Flow monitoring; quantity meter; Preset counter; Temperature monitoring; hysteresis / window; normally open / normally closed; switching logic; current/ voltage/pulse output; start-up delay; display can be deactivated; Display unit	
<b>Interfaces</b>		
Communication interface	IO-Link	
Transmission type	COM2 (38,4 kBaud)	
IO-Link revision	1.1	
SDCI standard	IEC 61131-9	
IO-Link device ID	573 / 00 02 3d	
Profiles	Smart Sensor: Process Data Variable; Device Identification, Device Diagnosis	
SIO mode	yes	
Required master port type	A	
Process data analogue	3	
Process data binary	2	
Min. process cycle time	[ms]	5
<b>Operating conditions</b>		
Ambient temperature	[°F]	14...140
Storage temperature	[°F]	-13...176
Protection	IP 67	
<b>Tests / approvals</b>		
EMC	DIN EN 60947-5-9	
Shock resistance	DIN EN 60068-2-27	20 g (11 ms)
Vibration resistance	DIN EN 60068-2-6	5 g (10...2000 Hz)
MTTF	[years]	145
Pressure Equipment Directive	Sound engineering practice; can be used for group 2 fluids; group 1 fluids on request	
<b>Mechanical data</b>		
Weight	[g]	589.5
Materials	stainless steel (1.4404 / 316L); PBT-GF20; PC; FKM; TPE	
Materials (wetted parts)	stainless steel (1.4404 / 316L); PEEK; FKM	
Process connection	threaded connection 3/4 NPT DN20	

# SM7601



## Magnetic-inductive flow meter

SMN34GGXFRKG/US-100

### Displays / operating elements

Display	Display unit	6 x LED, green (gpm, gph, gal, °F, 10 <sup>3</sup> , 1000 x 10 <sup>3</sup> )
	switching status	2 x LED, yellow
	measured values	alphanumeric display, 4-digit
	programming	alphanumeric display, 4-digit

### Remarks

Remarks	MW = measured value
	MEW = Final value of the measuring range
Pack quantity	1 pcs.

### Electrical connection

Connector: 1 x M12; Contacts: gold-plated



# SM7601



## Magnetic-inductive flow meter

SMN34GGXFRKG/US-100

### Connection



OUT1: colours to DIN EN 60947-5-2  
switching output volumetric flow quantity monitoring  
Pulse output quantity meter  
signal output Preset counter  
IO-Link

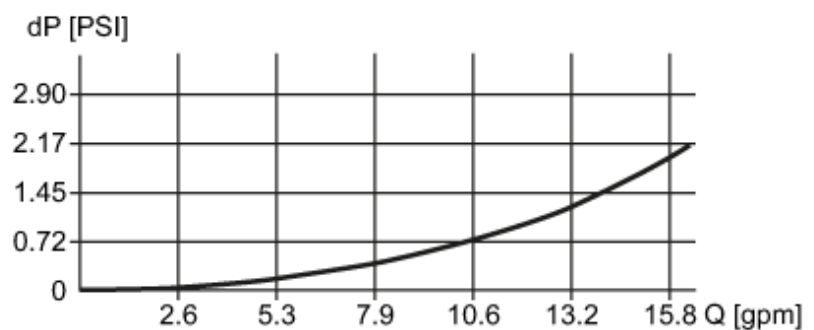
OUT2: switching output volumetric flow quantity monitoring  
switching output Temperature monitoring  
analogue output volumetric flow quantity monitoring  
analogue output Temperature monitoring  
input counter reset

Core colours :

BK = black  
BN = brown  
BU = blue  
WH = white

### Diagrams and graphs

Pressure loss



dP Pressure loss

Q volumetric flow quantity