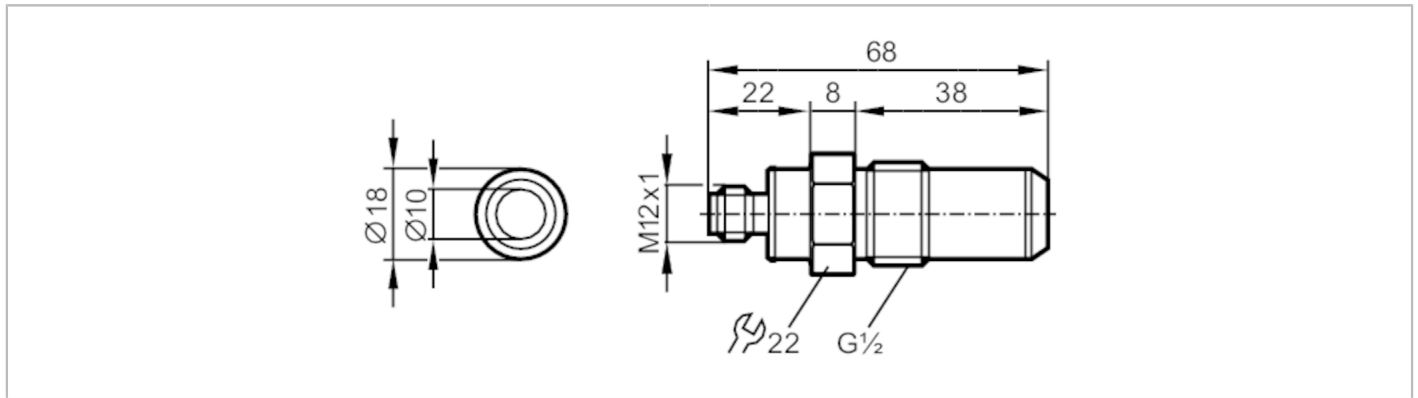


# TM4599



## Temperature sensor with process connection

TM-000KLER12-JUS/



ERC EC 1935/2004 FDA

Product characteristics		
Measuring range	[°C]	-50...140
Process connection		threaded connection G 1/2 sealing cone flush mountable
Application		
Special feature		Gold-plated contacts
Measuring element		1 x Pt 100; (to DIN EN 60751, class A)
Media		liquids and gases
Medium temperature	[°C]	< 100; (< 5 min: 150)
Pressure rating	[bar]	16
Electrical data		
Protection class		III
Measuring/setting range		
Measuring range	[°C]	-50...140
Accuracy / deviations		
Accuracy	[K]	± (0,15 K + 0,002 x  t )
Response times		
Dynamic response T05 / T09	[s]	10 / 40; (for water (70 °C; 0,04 m/s))
Operating conditions		
Ambient temperature	[°C]	-20...70
Storage temperature	[°C]	-40...100
Protection		IP 69K; (in conjunction with a corresponding connector)
Tests / approvals		
MTTF	[years]	12683.9
Mechanical data		
Weight	[g]	126.5
Materials		stainless steel (1.4404 / 316L); PEEK
Materials (wetted parts)		stainless steel (1.4404 / 316L); PEEK
Tightening torque	[Nm]	10
Process connection		threaded connection G 1/2 sealing cone flush mountable

# TM4599



## Temperature sensor with process connection

TM-000KLER12-JUS/

### Remarks

Pack quantity

1 pcs.

### Electrical connection

Connector: 1 x M12; Contacts: gold-plated



### Connection

