



Part no.: 53800132
BTF815M
Mounting bracket

Figure can vary

Contents

- Technical data
- Dimensioned drawings

Part no.: 53800132 – BTF815M – Mounting bracket

Technical data

Basic data

| | |
|--------------|-------------------------------------|
| Application | Mounting bracket for floor mounting |
| Suitable for | RSL 400 safety laser scanner |

Mechanical data

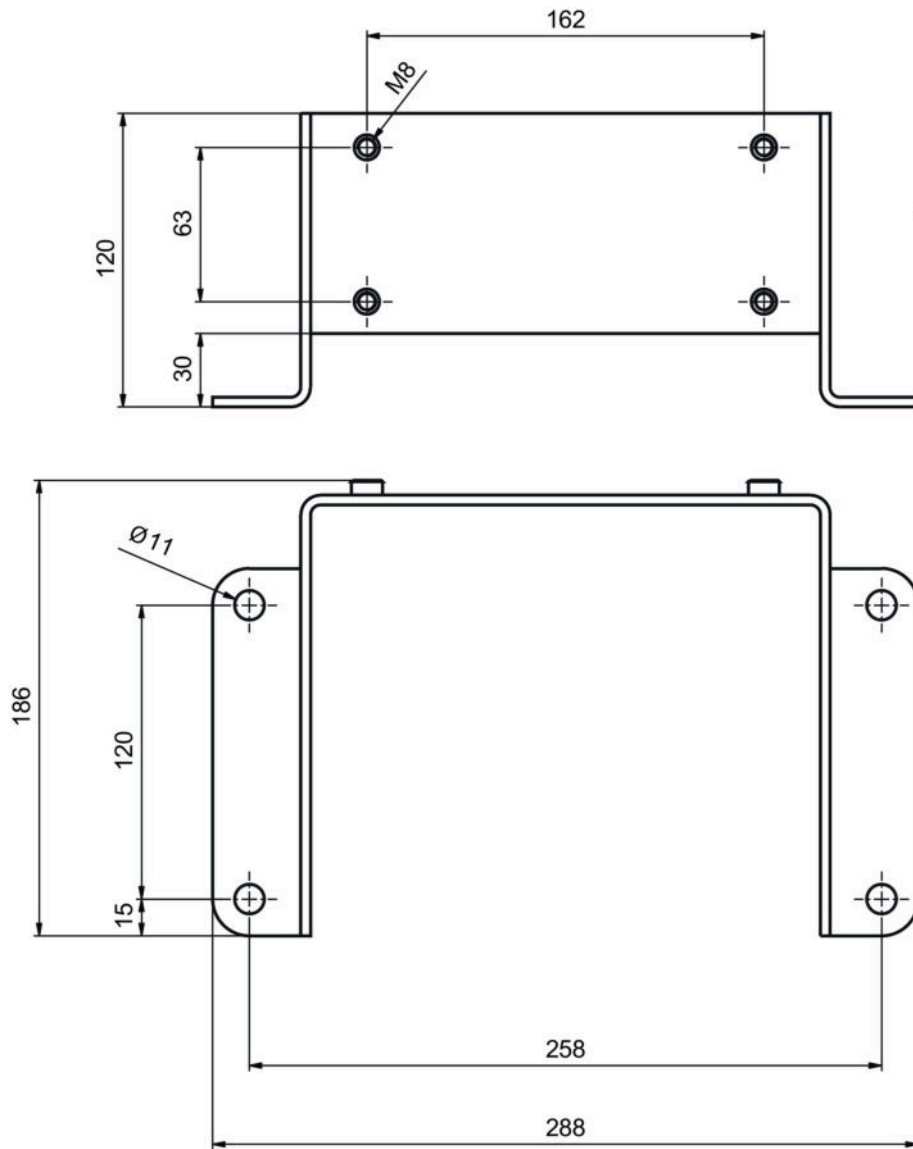
| | |
|------------------------------|--------------------------|
| Dimension (W x H x L) | 186 mm x 120 mm x 288 mm |
| Scan level height | 150 mm |
| Net weight | 2,130 g |
| Housing color | Yellow, RAL 1021 |
| Type of fastening, at system | Through-hole mounting |
| Type of fastening, at device | Screw type |
| Mounting device material | Metal |

Classification

| | |
|-----------------------|----------|
| Customs tariff number | 73182900 |
| eCl@ss 8.0 | 27279202 |
| eCl@ss 9.0 | 27273701 |
| ETIM 5.0 | EC003015 |
| ETIM 6.0 | EC003015 |

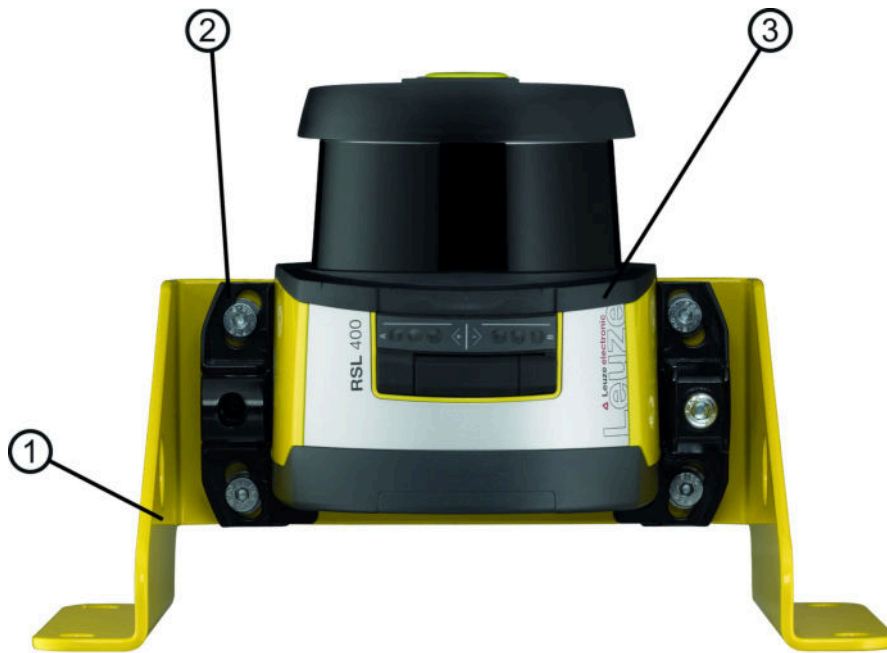
Dimensioned drawings

All dimensions in millimeters



Part no.: 53800132 – BTF815M – Mounting bracket

Example: mounting on floor



- 1 BTF815M mounting bracket (only in combination with the BTU800M mounting system)
- 2 BTU800M mounting system
- 3 Safety sensor